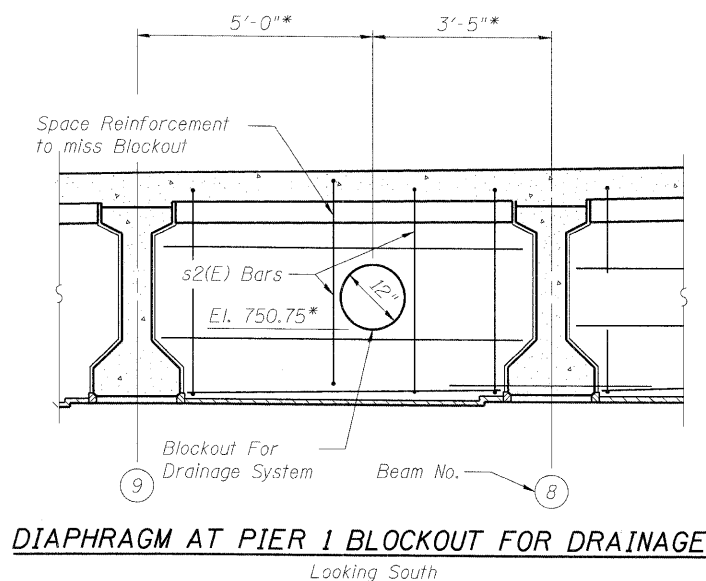


STATE OF ILLINOIS  
DEPARTMENT OF TRANSPORTATION

ROUTE NO.	SECTION	COUNTY	TOTAL SHEETS	SHEET NO.
-	-	KANE	545	327
FED. ROAD DIST. NO. 7		ILLINOIS	FED. AID PROJECT	

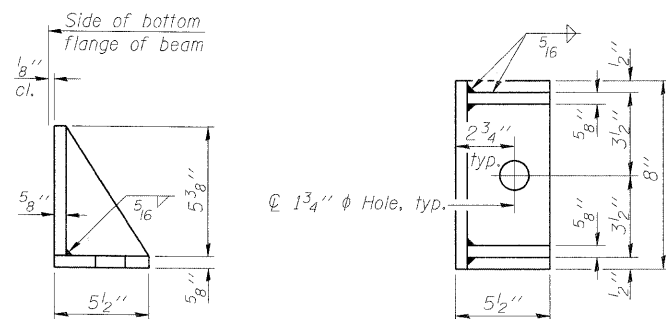
Contract # 63074



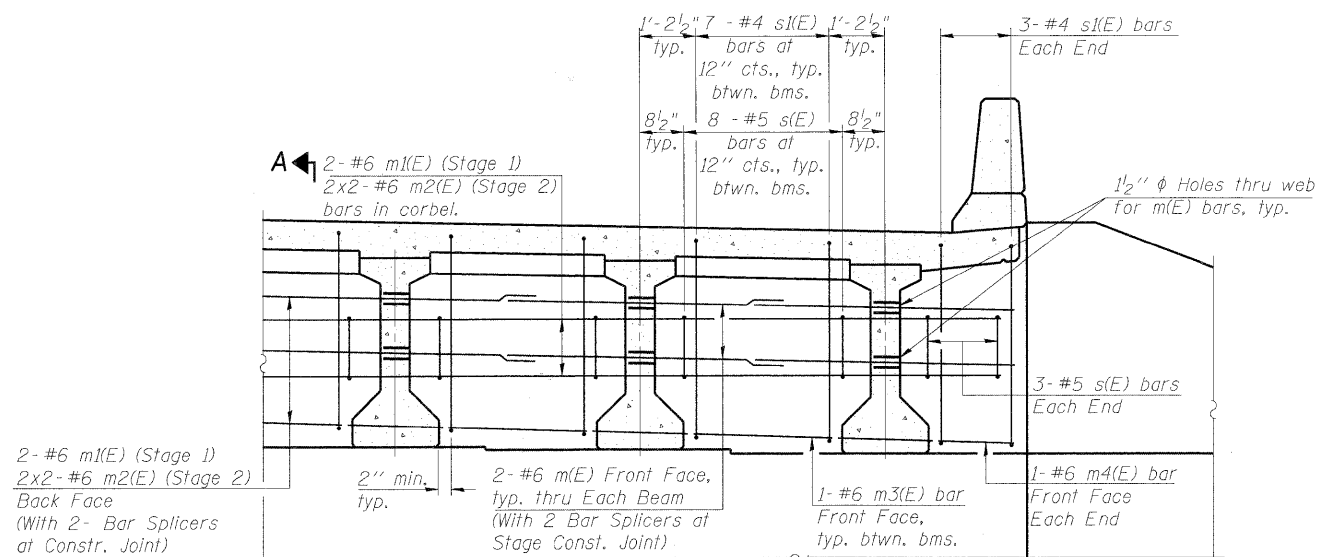
\* Elevation and dimensions to be verified by Manufacturer of Drainage System

Notes:

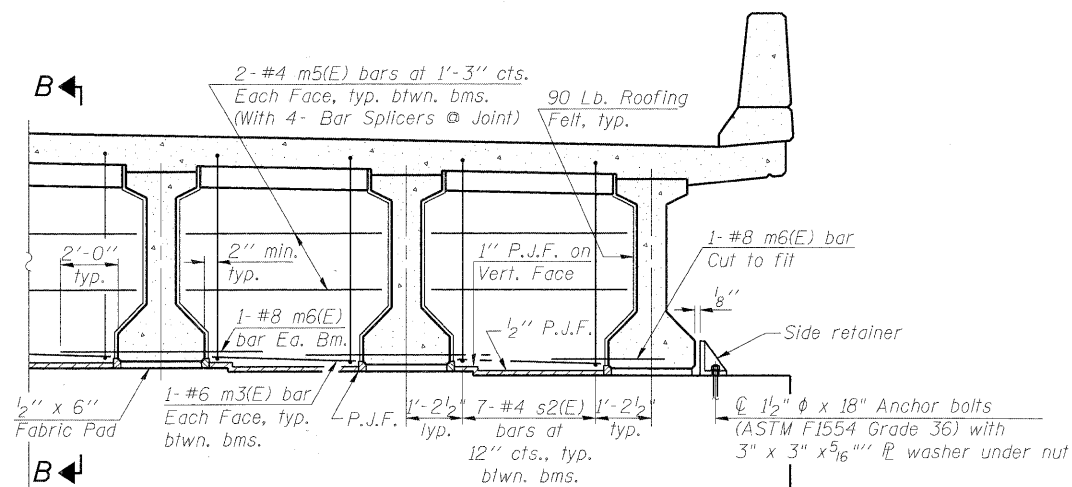
1. Reinforcement bars in diaphragm are billed with superstructure on sheet SD-15.
2. Concrete in diaphragm is included with Concrete Superstructure on sheet SD-15.
3. For details of bars s(E), s1(E) and s2(E) see sheet SD-15.
4. The s(E), s1(E) and s2(E) bars shall be placed parallel to the beams. Spacing for these bars shall be at right angles to the beams.
5. See sheet SD-13 for Sections A-A and B-B.
6. Cost of 90 Lb. roofing felt is included with Concrete Superstructure.
7. The side retainer shall be galvanized after shop fabrication according to AASHTO M 111.
8. Anchor bolt assemblies shall be galvanized according to Article 1006.09 of the Standard Specifications.
9. Anchor bolts shall be ASTM F1554 all-thread (or an Engineer-approved alternate material) of the grade(s) and diameter(s) specified. ASTM A307 Grade C anchor bolts may be used in lieu of ASTM F1554 Grade 36 (Fy=36ksi). The corresponding specified grade of AASHTO M314 anchor bolts may be used in lieu of ASTM F1554.
10. Anchor bolts for side retainers may be either cast in place or installed in holes drilled after the supporting member is in place and prior to pouring the deck.
11. Drilled and set anchor bolts shall be installed according to Article 521.06 of the Standard Specifications.
12. Cost of side retainer and anchor bolts shall be included with Concrete Structures.



**SIDE RETAINER**  
(2 required each side of pier)  
Equivalent rolled angle with stiffeners  
will be allowed in lieu of welded plates.



**DIAPHRAGM ELEVATION AT ABUTMENT**



**DIAPHRAGM AT PIER**

**MIN. BAR LAP**  
#6 bar = 2'-9"

DESIGNED	AJK
CHECKED	AAY
DRAWN	AYR
CHECKED	DMC

PI-2DI 5-16-08

**benesch**  
alfred benesch & company  
Engineers • Surveyors • Planners  
205 North Michigan Avenue, Suite 2400  
Chicago, Illinois 60601  
312-585-0450  
Job # 3944

**DIAPHRAGM ELEVATION**  
**IL 25/DUNHAM ROAD OVER THE**  
**EAST BRANCH OF BREWSTER CREEK**  
**F.A.P. 360 - SEC. 06-00214-15-BR**  
**KANE COUNTY**  
**STATION 276+36.96**  
**STRUCTURE NO. 045-2032**