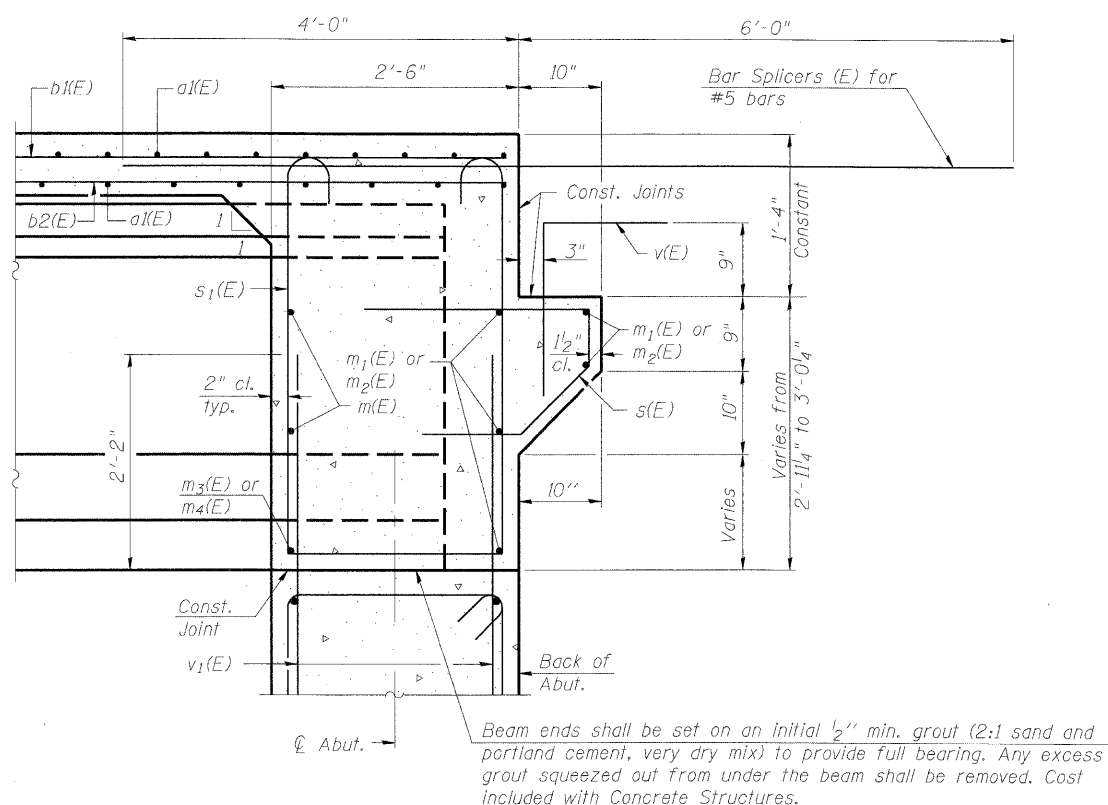


STATE OF ILLINOIS
DEPARTMENT OF TRANSPORTATION

ROUTE NO.	SECTION	COUNTY	TOTAL SHEETS	SHEET NO.	SHEET SD- 13 OF 34 SHEETS
-	-	KANE	545	328	
FED. ROAD DIST. NO. 7	ILLINOIS	FED. AID PROJECT-			

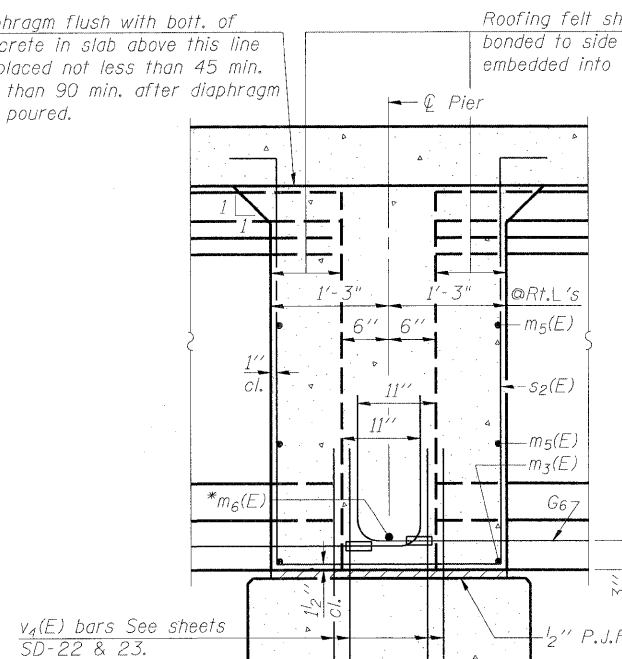
Contract # 63074



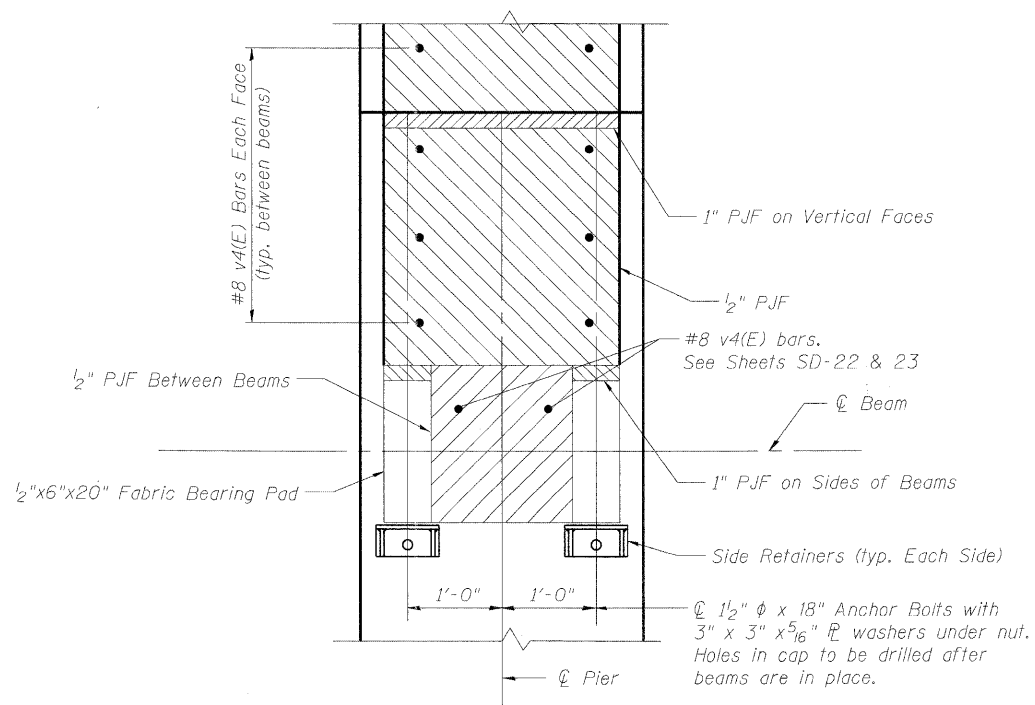
SECTION A-A
Dimensions at right angles to abutment

Pour diaphragm flush with bott. of slab. Concrete in slab above this line shall be placed not less than 45 min. nor more than 90 min. after diaphragm has been poured.

Roofing felt shall be bonded to side of beam embedded into diaphragm.



SECTION B-B
Dimensions along \bar{C} of beam, except as shown.



PLAN AT PIER
(Showing bearing pad and P.J.F. details)

Note:
1. See sheet SD-10 for location of Sections A-A and B-B.

DESIGNED	AJK
CHECKED	AAY
DRAWN	AYR
CHECKED	DMC

benesch
alfred benesch & company
Engineers • Surveyors • Planners
205 North Michigan Avenue, Suite 2400
Chicago, Illinois 60601
312-565-0450
Job # 3944

DIAPHRAGM SECTIONS
IL 25/DUNHAM ROAD OVER THE
EAST BRANCH OF BREWSTER CREEK
F.A.P. 360 - SEC. 06-00214-15-BR
KANE COUNTY
STATION 276+36.96
STRUCTURE NO. 045-2032