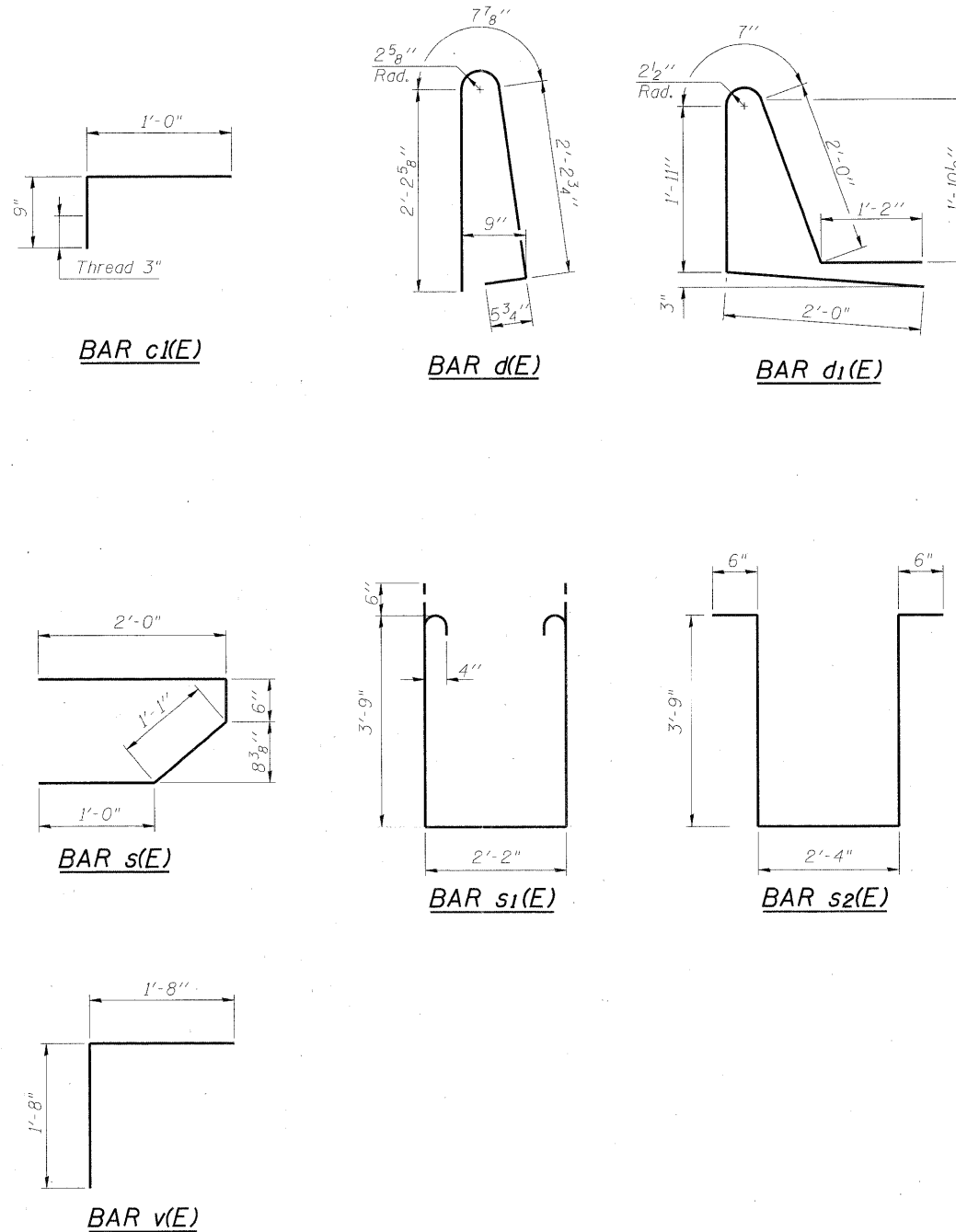


STATE OF ILLINOIS
DEPARTMENT OF TRANSPORTATION

ROUTE NO.	SECTION	COUNTY	TOTAL SHEETS	SHEET NO.	SHEET SD- 15 OF 34 SHEETS
		KANE	545	332	
FED. ROAD DIST. NO. 7	ILLINOIS	FED. AID PROJECT			

Contract # 63074



**SUPERSTRUCTURE
BILL OF MATERIAL**

(Stage 1 Construction)

Bar	No.	Size	Length	Shape
a(E)	310	#6	6'-0"	—
a1(E)	511	#5	39'-6"	—
b1(E)	168	#5	37'-0"	—
b2(E)	210	#5	30'-3"	—
b3(E)	80	#6	30'-0"	—
d(E)	155	#5	5'-7"	┌
d1(E)	155	#5	7'-8"	┌
e1(E)	28	#4	14'-0"	—
e2(E)	32	#4	11'-6"	—
e3(E)	14	#4	17'-6"	—
e4(E)	2	#8	28'-6"	—
e5(E)	2	#4	28'-6"	—
e6(E)	4	#8	11'-6"	—
e7(E)	1	#8	35'-6"	—
e8(E)	1	#4	35'-6"	—
m(E)	20	#6	11'-2"	—
m1(E)	8	#6	38'-6"	—
m3(E)	30	#6	6'-3"	—
m4(E)	2	#6	2'-4"	—
m5(E)	40	#4	7'-6"	—
m6(E)	10	#8	6'-0"	—
s(E)	76	#5	4'-7"	┌
s1(E)	68	#4	10'-8"	┌
s2(E)	62	#4	10'-10"	┌
v(E)	78	#5	3'-4"	┌
Reinforcement Bars, Epoxy Coated		Lbs.	46,740	
Concrete Superstructure		Cu. Yds.	214.3	

Bars indicated thus 3 x 4-#5 etc. indicates 3 lines of bars with 4 lengths per line.

**SUPERSTRUCTURE
BILL OF MATERIAL**

(Stage 2 Construction)

Bar	No.	Size	Length	Shape
a(E)	310	#6	6'-0"	—
a4(E)	511	#5	35'-0"	—
a5(E)	511	#5	28'-3"	—
a6(E)	36	#5	4'-0"	—
b1(E)	256	#5	37'-0"	—
b2(E)	315	#5	30'-3"	—
b3(E)	118	#6	30'-0"	—
c1(E)	286	#5	1'-9"	┌
d(E)	155	#5	5'-7"	┌
d1(E)	155	#5	7'-8"	┌
e1(E)	28	#4	14'-0"	—
e2(E)	32	#4	11'-6"	—
e3(E)	14	#4	17'-6"	—
e4(E)	2	#8	28'-6"	—
e5(E)	2	#4	28'-6"	—
e6(E)	4	#8	11'-6"	—
e7(E)	1	#8	35'-6"	—
e8(E)	1	#4	35'-6"	—
m(E)	28	#6	11'-2"	—
m2(E)	16	#6	32'-0"	—
m3(E)	42	#6	6'-3"	—
m4(E)	2	#6	2'-4"	—
m5(E)	56	#4	7'-6"	—
m6(E)	14	#8	6'-0"	—
s(E)	112	#5	4'-7"	┌
s1(E)	100	#4	10'-8"	┌
s2(E)	94	#4	10'-10"	┌
v(E)	116	#5	3'-4"	┌
Reinforcement Bars, Epoxy Coated		Lbs.	70,040	
Concrete Superstructure		Cu. Yds.	321.5	

Bars indicated thus 3 x 4-#5 etc. indicates 3 lines of bars with 4 lengths per line.

DESIGNED	AJK
CHECKED	AAY
DRAWN	AYR
CHECKED	DMC

benesch
alfred benesch & company
Engineers • Surveyors • Planners
205 North Michigan Avenue, Suite 2400
Chicago, Illinois 60601
312-565-0450
Job # 3944

REINFORCEMENT BAR BENDS AND DETAILS
IL 25/DUNHAM ROAD OVER THE
EAST BRANCH OF BREWSTER CREEK
F.A.P. 360 - SEC. 06-00214-15-BR
KANE COUNTY
STATION 276+36.96
STRUCTURE NO. 045-2032