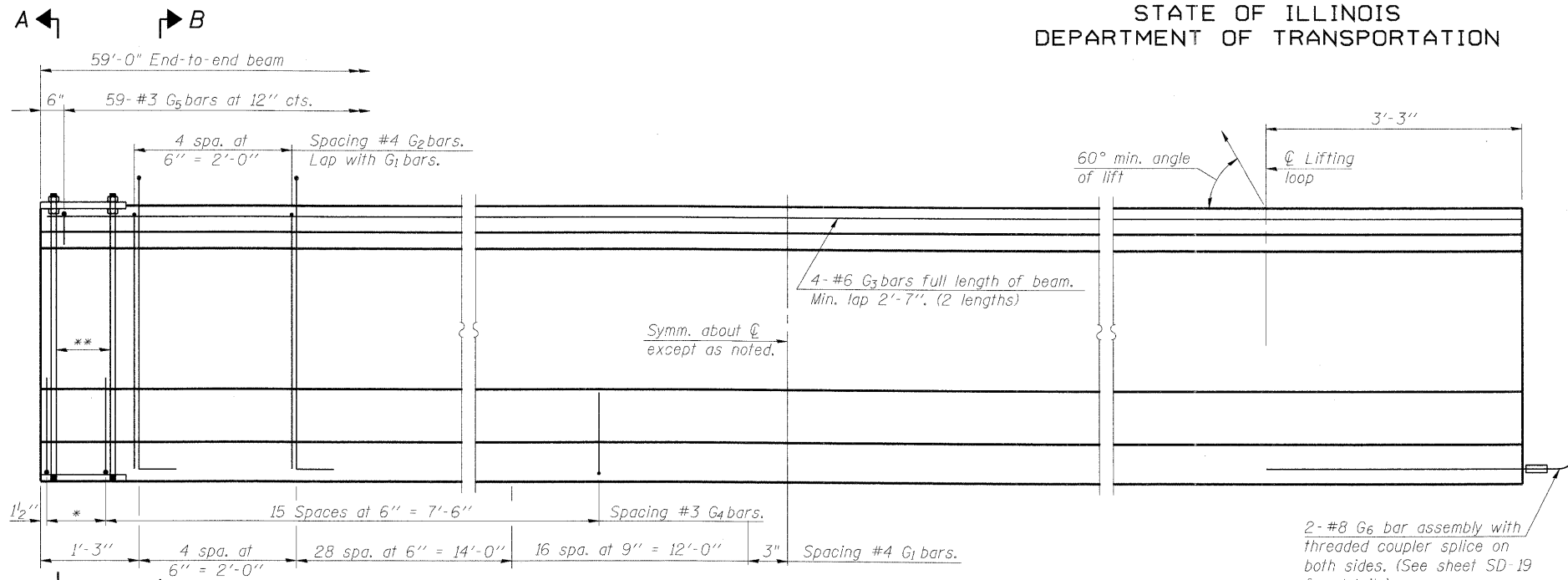


STATE OF ILLINOIS
DEPARTMENT OF TRANSPORTATION

ROUTE NO.	SECTION	COUNTY	TOTAL SHEETS	SHEET NO.	SHEET SD- 18 OF 34 SHEETS
-	-	KANE	545	333	
FED. ROAD DIST. NO. 7	ILLINOIS	FED. AID PROJECT			

Contract # 63074

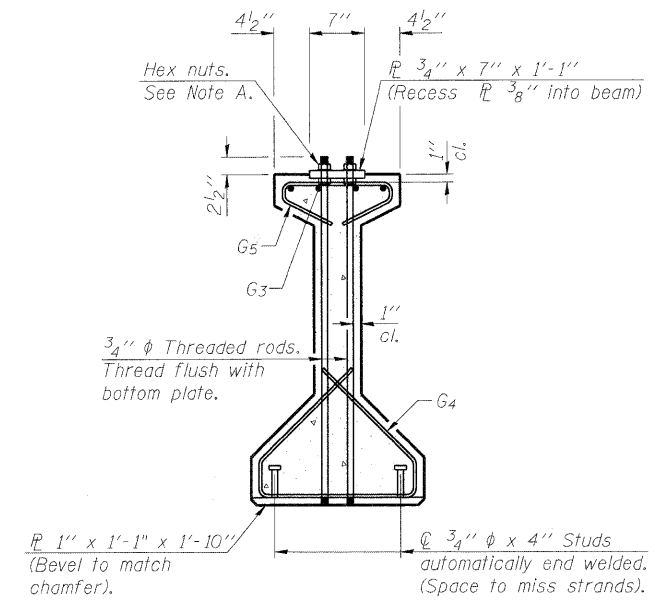


ELEVATION OF BEAM
(Showing reinforcement & dimensions)

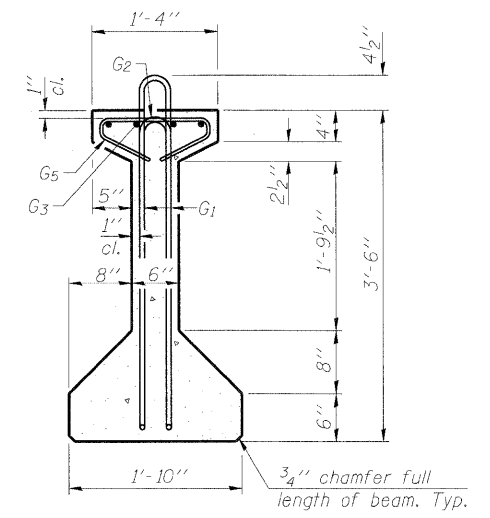
*3 spaces at 3" = 9".
**4-3/4" φ threaded dowel rods at 3" cts., Each Face.

2-#8 G6 bar assembly with threaded coupler splice on both sides. (See sheet SD-19 for details).

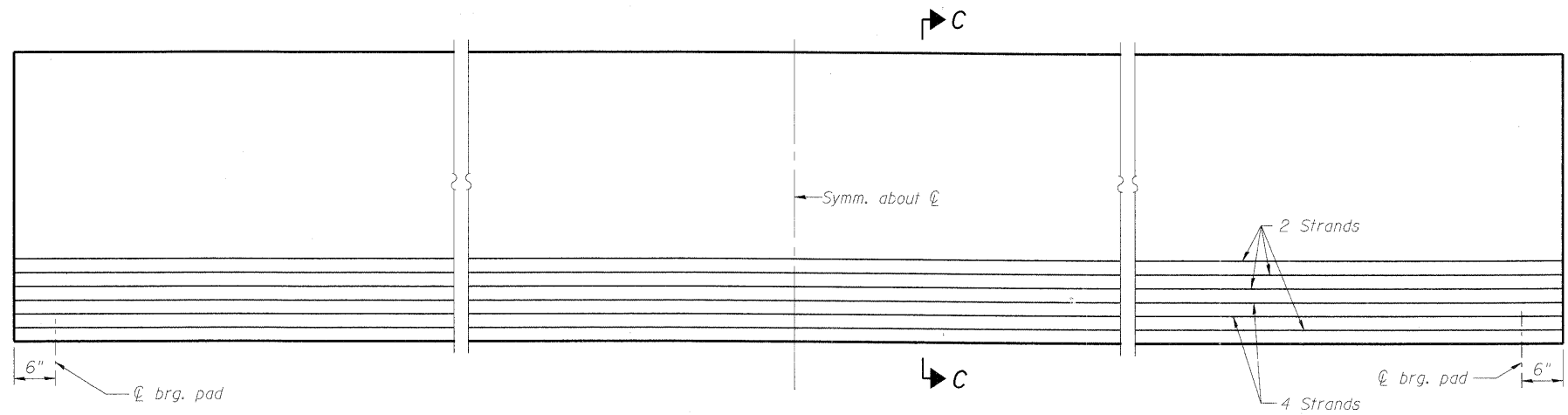
Note A:
Hex nuts (top and bottom) with lock washers (top). Only tighten sufficiently to compress lock washers.



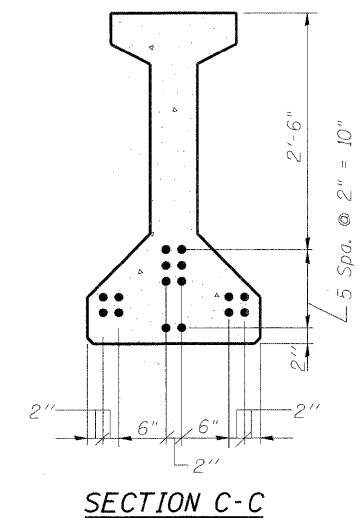
SECTION A-A



SECTION B-B



ELEVATION OF BEAM
(Showing prestressing steel)



SECTION C-C

*****BAR LIST
ONE BEAM ONLY**

Bar	No.	Size	Length	Shape
G1	98	#4	8'-5"	∩
G2	10	#4	6'-8"	∩
G3	8	#6	30'-9"	—
G4	38	#3	4'-11"	∩
G5	59	#3	2'-6"	∩
G6	4	#8	6'-6"	∩

***For information only

- Notes:
- See sheet SD-19 for additional details and Bill of Material.
 - Required release strength, f'_{ci} , shall be 5,000 psi.

DESIGNED	AJK
CHECKED	AAY
DRAWN	AYR
CHECKED	DMC

benesch
alfred benesch & company
Engineers • Surveyors • Planners
205 North Michigan Avenue, Suite 2400
Chicago, Illinois 60601
312-585-0450
Job # 3944

42" PPC I-BEAM ELEVATION - SPAN 2
IL 25/DUNHAM ROAD OVER THE
EAST BRANCH OF BREWSTER CREEK
F.A.P. 360 - SEC. 06-00214-15-BR
KANE COUNTY
STATION 276+36.96
STRUCTURE NO. 045-2032

xx:\3900s\3944\engineering_documents\125-dunham_over_brewster-sn045-2032(m).sn045-2034(s).find\0452032-63074-018-ppc2.dgn 11:21:28 AM 3/30/2009