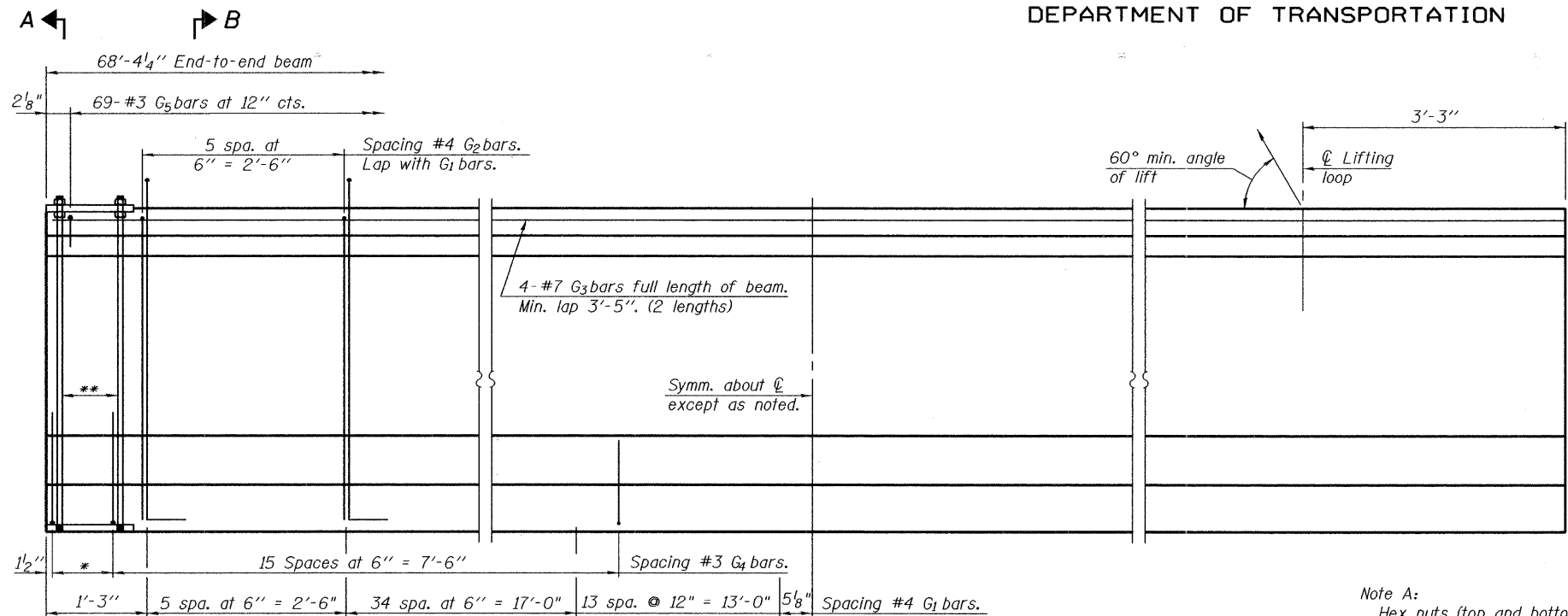


STATE OF ILLINOIS  
DEPARTMENT OF TRANSPORTATION

ROUTE NO.	SECTION	COUNTY	TOTAL SHEETS	SHEET NO.	SHEET SS- 12 OF 22 SHEETS
-	-	KANE	545	361	
FED. ROAD DIST. NO. 7	ILLINOIS	FED. AID PROJECT-			

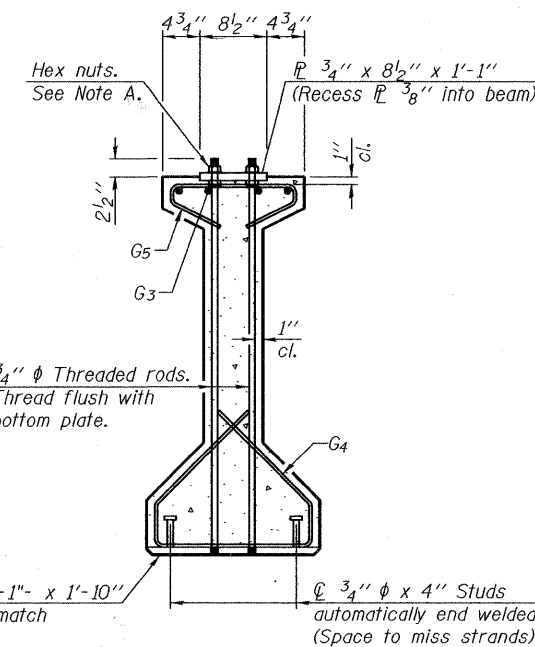
Contract # 63074



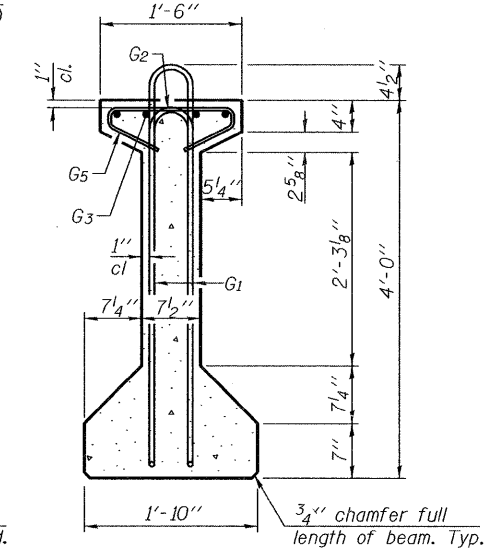
**ELEVATION OF BEAM**  
(Showing reinforcement & dimensions)

\*3 spaces at 3" = 9".  
\*\*4-3/4"  $\phi$  threaded dowel rods at 3" cts., Each Face.

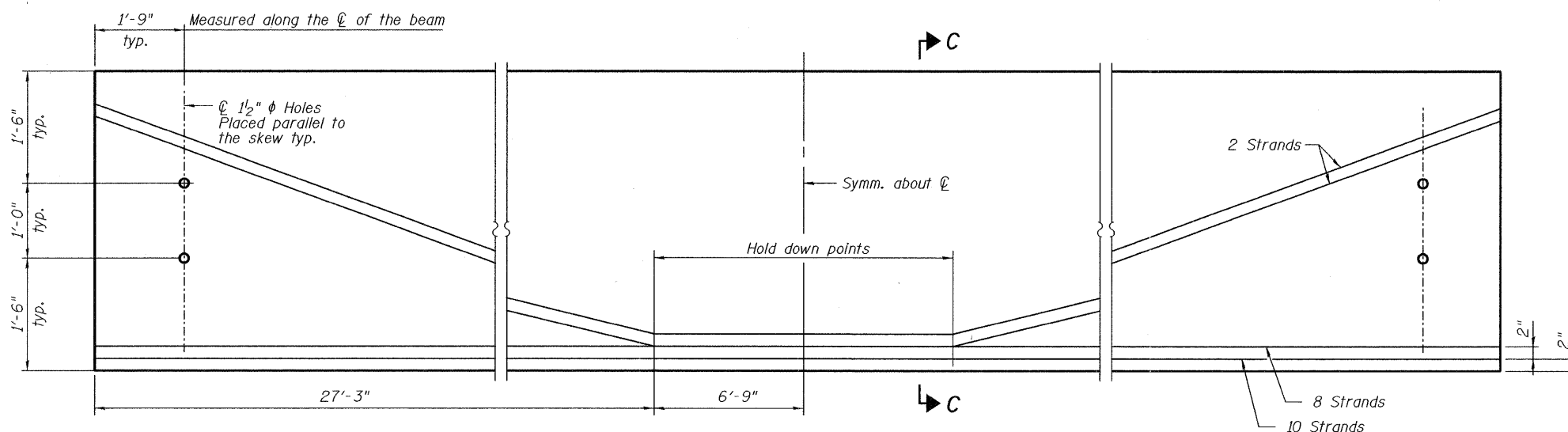
Note A:  
Hex nuts (top and bottom) with lock washers (top). Only tighten sufficiently to compress lock washers.



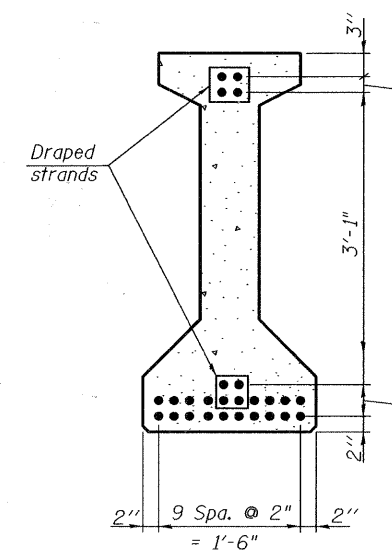
**SECTION A-A**



**SECTION B-B**



**ELEVATION OF BEAM**  
(Showing prestressing steel)



**SECTION C-C**

**\*\*\*BAR LIST  
ONE BEAM ONLY**

Bar	No.	Size	Length	Shape
G <sub>1</sub>	106	#4	9'-6"	∩
G <sub>2</sub>	12	#4	7'-11"	∩
G <sub>3</sub>	8	#7	35'-9"	—
G <sub>4</sub>	38	#3	5'-3"	∩
G <sub>5</sub>	69	#3	2'-9"	∩

\*\*\*For information only

- Notes:
- See sheet SS-13 for additional details and Bill of Material.
  - Required release strength,  $f'_{ci}$ , shall be 5,000 psi.

DESIGNED	AJK
CHECKED	AAY
DRAWN	AYR
CHECKED	HMA/DMC

**benesch**  
alfred benesch & company  
Engineers • Surveyors • Planners  
205 North Michigan Avenue, Suite 2400  
Chicago, Illinois 60601  
312-565-0450  
Job # 3944

**48" PPC I-BEAM ELEVATION  
IL 25/STEARNS ROAD OVER THE  
EAST BRANCH OF BREWSTER CREEK  
F.A.P. 2503 - SEC. 06-00214-15-BR  
KANE COUNTY  
STATION 138+59.20  
STRUCTURE NO. 045-2035**