

ROUTE NO. F.A.P. 361	SECTION 06-00214-25-BR	COUNTY KANE	TOTAL SHEETS 220	SHEET NO. 75
FED. ROAD DIST. NO. 1		ILLINOIS	FED. AID PROJECT-	

Contract #63076

BAR LIST

BAR	NO.	SIZE	LENGTH	SHAPE
d(E)	8	#5	7'-5"	┘
d1(E)	16	#5	10'-11"	—
a2(E)	8	#5	7'-10"	—
a3(E)	8	#5	6'-11"	—
b(E)	14	#5	8'-4"	—
b1(E)	22	#6	8'-10"	—
b2(E)	8	#6	3'-3"	—
b3(E)	4	#6	5'-9"	—
d(E)	36	#5	6'-0"	L
m(E)	7	#5	6'-8"	—
m1(E)	66	#5	15'-1"	┘
m2(E)	66	#5	13'-7"	┘
m3(E)	132	#5	10'-5"	—
n(E)	84	#5	6'-4"	L
k(E)	24	#6	11'-5"	—
v(E)	8	#5	5'-10"	┘
v1(E)	60	#5	15'-3"	—
v2(E)	28	#5	9'-9"	—
v3(E)	88	#5	7'-5"	—
v4(E)	8	#5	5'-8"	—
w(E)	30	#6	9'-3"	—
w1(E)	16	#5	3'-0"	—
w2(E)	8	#5	13'-3"	┘
w3(E)	8	#5	11'-10"	┘
ITEM	UNIT	QUANTITY		
Concrete Structures	Cu. Yd.	29.6		
Reinforcement Bars, Epoxy Coated	Pound	8,010		

* For information only

BILL OF MATERIAL

ITEM	UNIT	TOTAL
** Diversion Structure	Each	1

** - See special provision.

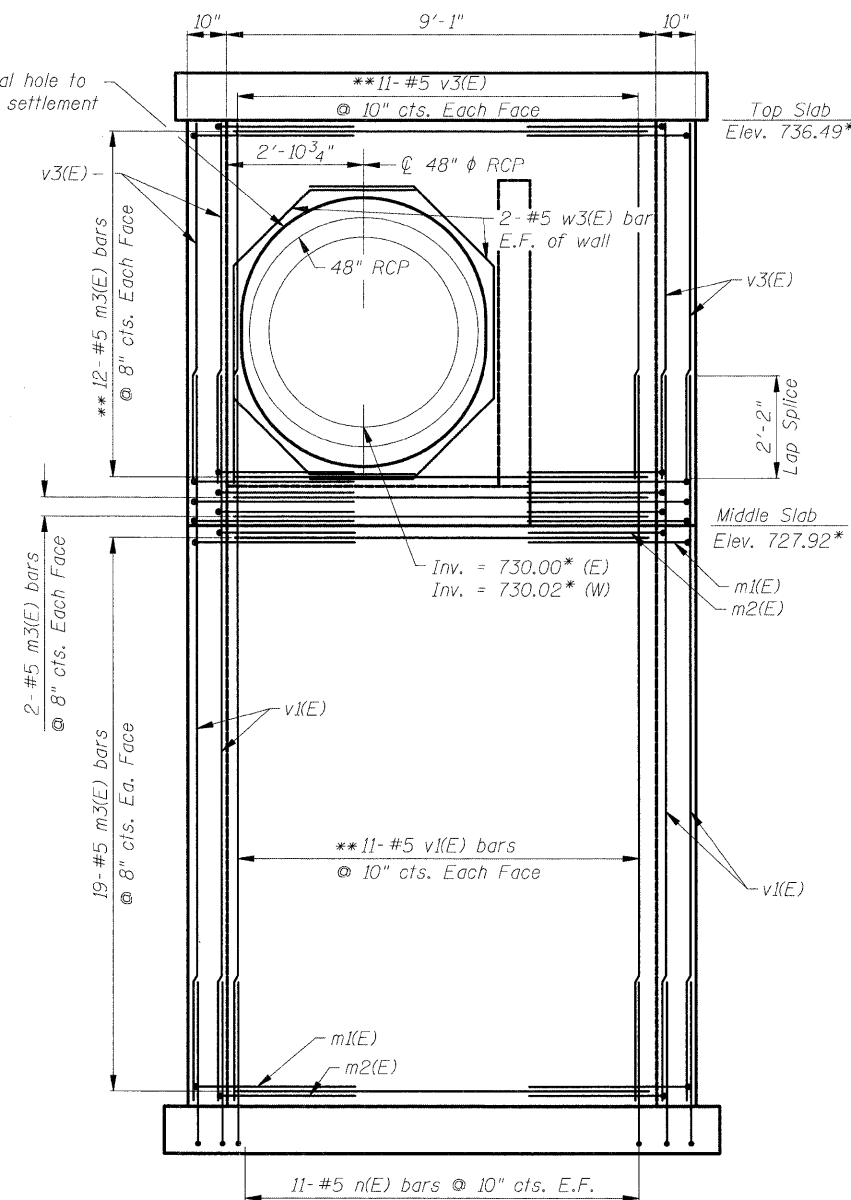
ILLINOIS DEPARTMENT OF TRANSPORTATION

DIVERSION STRUCTURE DETAILS

**STEARNS ROAD (FAP 361)
STATION 508+00
KANE COUNTY**

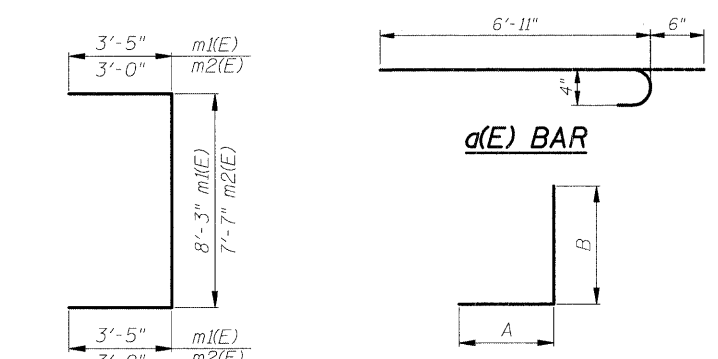
SCALE: None DRAWN BY: M. Lange
DATE: December 19, 2008 CHECKED BY: G. Hatlestad

REVISIONS	
NAME	DATE



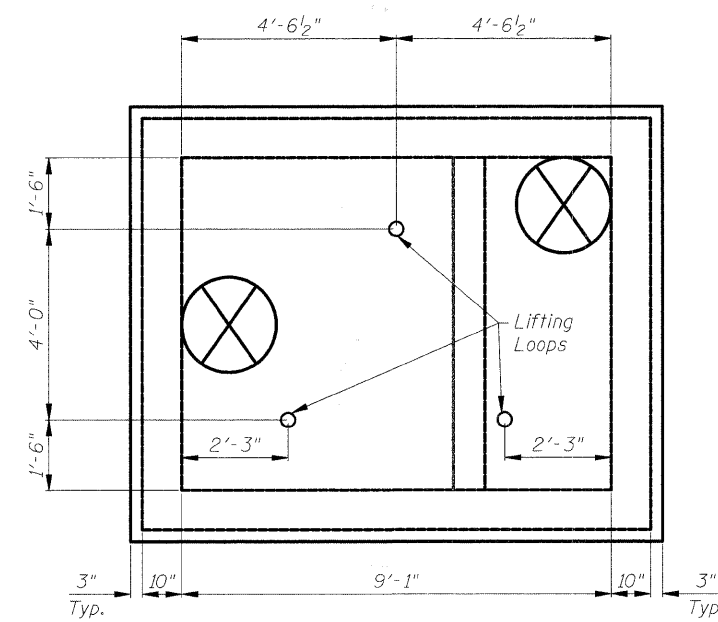
VIEW D-D

* Indicates that elevations have been adjusted for anticipated 6" of settlement.
**Field cut as required (East & West Walls)

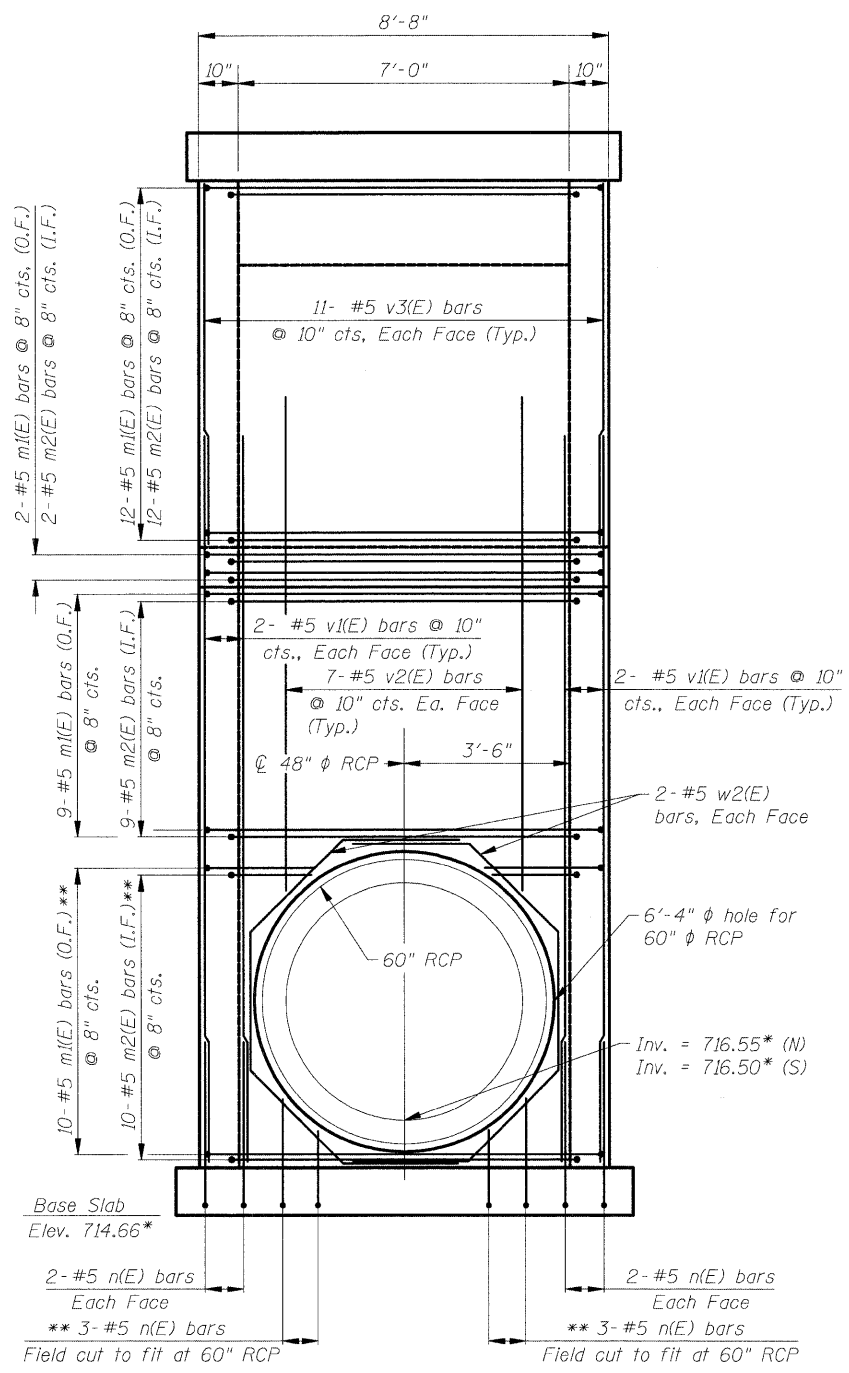


Bar	A	B
d(E)	3'-0"	3'-0"
n(E)	3'-2"	3'-2"
v(E)	2'-4"	3'-6"

d(E), v(E), n(E) BARS

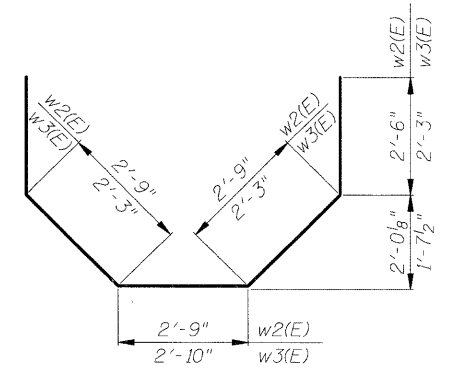


TOP SLAB LIFTING LOOP LOCATIONS



VIEW C-C

* Indicates that elevations have been adjusted for anticipated 6" of settlement.
**Field cut as required (North & South Walls)



w2(E) & w3(E) BARS

J:\215\road\Struct\drain_struct\02_diversion_Struct.dgn 6/31/24 PM 6:31:24 PM

CIVILTECH
450 E Devon Ave, Suite 300
Itasca, Illinois 60143
Tel: 630.773.3900 Fax: 630.773.3975
www.civiltechinc.com