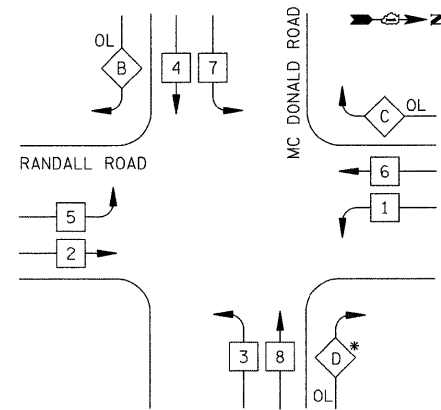
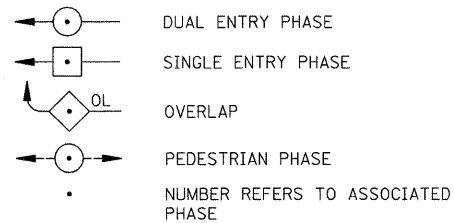


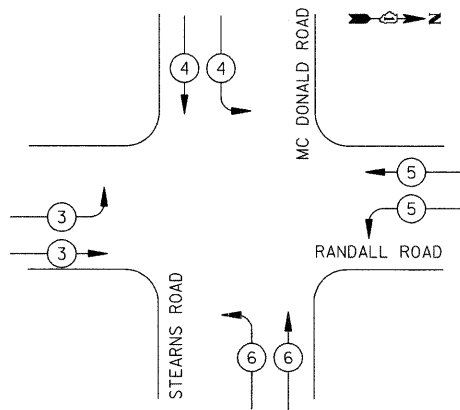
TEMPORARY CONTROLLER SEQUENCE



LEGEND



TEMPORARY EMERGENCY VEHICLE PREEMPTION SEQUENCE



PROPOSED EMERGENCY VEHICLE PREEMPTORS				
EMERGENCY VEHICLE PREEMPTOR	3	4	5	6
MOVEMENT				

TEMPORARY CABLE DIAGRAM LEGEND

- TEMPORARY TRAFFIC SIGNAL SECTION OR PEDESTRIAN SIGNAL SECTION 12" (300 mm)
- TEMPORARY CONTROLLER CABINET
- TEMPORARY SERVICE INSTALLATION
- INDICATES NUMBER OF CONDUCTORS IN CABLE. ALL CONDUCTORS TO BE NUMBER 14 AWG WIRE UNLESS OTHERWISE NOTED.
- EMERGENCY VEHICLE LIGHT DETECTOR
- CONFIRMATION BEACON
- PEDESTRIAN PUSHBUTTON DETECTOR
- VEHICLE DETECTOR, INDUCTION LOOP
- 12" (300mm) PEDESTRIAN SIGNAL SECTION
- PTZ CAMERA
- VIDEO VEHICLE DETECTOR
- LUMINAIRE
- RELOCATED EQUIPMENT
- COAXIAL CABLE
- VENDOR SPECIFIED CABLE
- UNINTERRUPTIBLE POWER SUPPLY
- ETHERNET RADIO ANTENNA

TEMPORARY PHASE DESIGNATION DIAGRAM

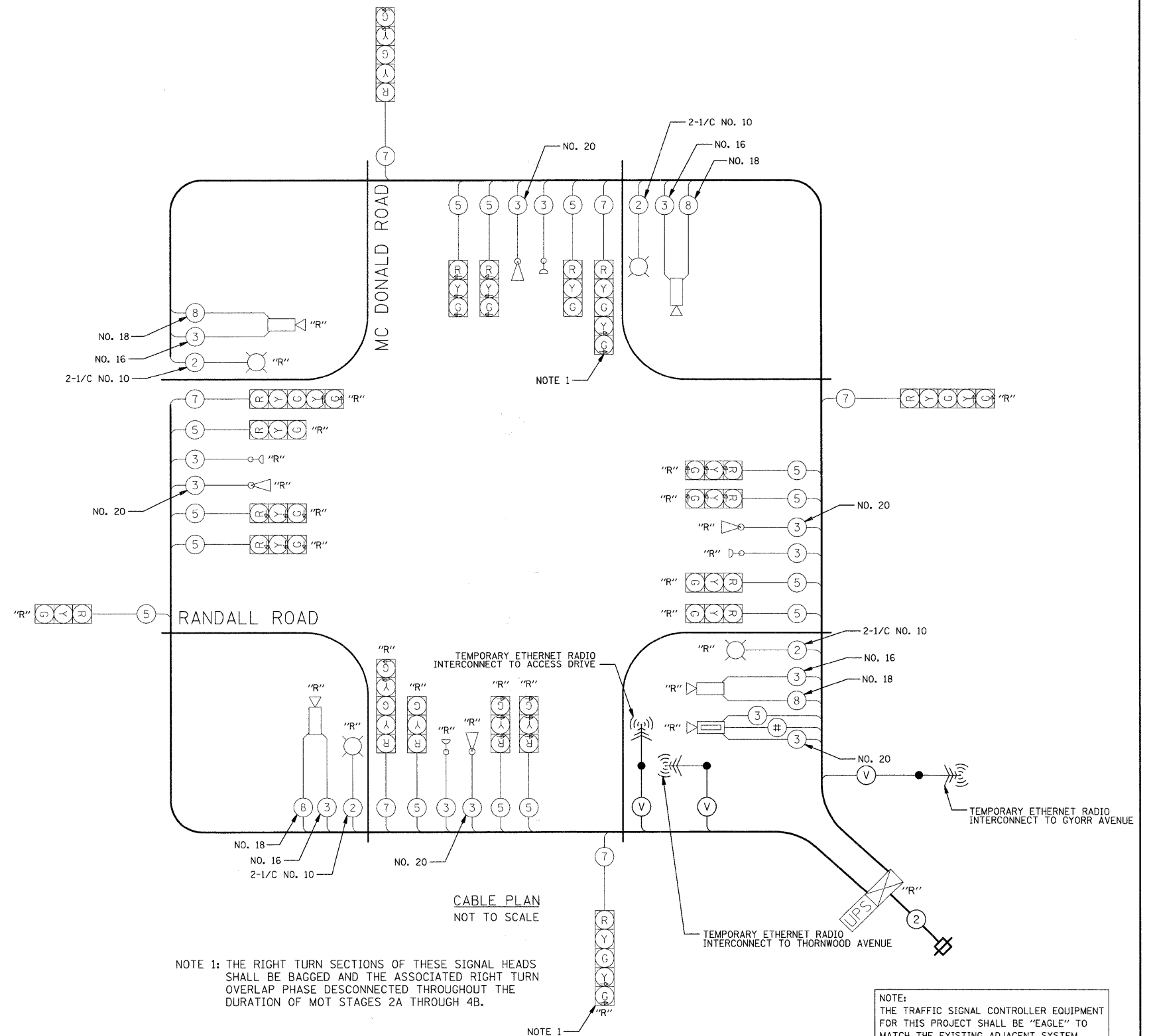
RIGHT TURN OVERLAP PHASE DESIGNATION			
OVERLAP LETTER	PERMISSIVE PHASE	PROTECTED PHASE	
B	= 4	+	5
C	= 6	+	7
D	= 8	+	1

\* RIGHT TURN OVERLAP "D" SHALL NOT BE ACTIVE THROUGHOUT THE DURATION OF MOT STAGES 2A THROUGH 4B.

I.D.O.T. TRAFFIC SIGNAL INSTALLATION ELECTRICAL SERVICE REQUIREMENTS					TOTAL WATTAGE
TYPE	NO. LAMPS	WATTAGE INCAND.	LED	OPERATION	
SIGNAL (RED)	20		17	0.50	170
(YELLOW)	20		25	0.25	125
(GREEN)	20		15	0.25	75
ARROW	12		12	0.10	14.4
CONTROLLER	1		100	1.00	100
VIDEO SYSTEM	1		150	1.00	150
LUMINAIRES	4	310		0.50	620
TOTAL =					1255

ENERGY COSTS TO: VILLAGE OF SOUTH ELGIN  
10 N. WATER STREET  
SOUTH ELGIN, IL 60177

ENERGY SUPPLY: CONTACT: MARTY RUBIN  
PHONE: (847) 608-2400  
COMPANY: COM ED



NOTE 1: THE RIGHT TURN SECTIONS OF THESE SIGNAL HEADS SHALL BE BAGGED AND THE ASSOCIATED RIGHT TURN OVERLAP PHASE DISCONNECTED THROUGHOUT THE DURATION OF MOT STAGES 2A THROUGH 4B.

NOTE: THE TRAFFIC SIGNAL CONTROLLER EQUIPMENT FOR THIS PROJECT SHALL BE "EAGLE" TO MATCH THE EXISTING ADJACENT SYSTEM.