

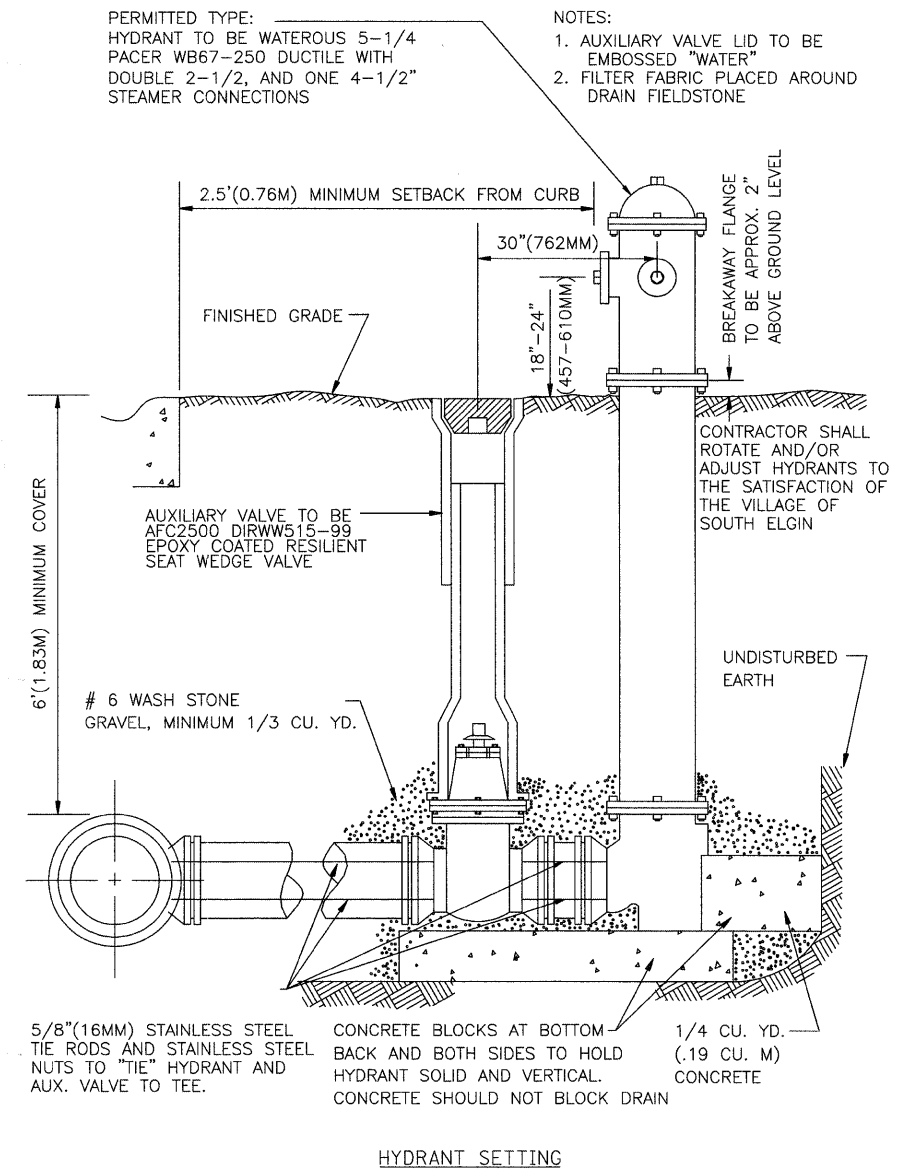
RECESSED REFLECTIVE PAVEMENT MARKERS

GENERAL NOTES:

1. INSTALLATION SHALL CONFORM TO IDOT HIGHWAY STANDARD 781001-02 (OR LATEST) FOR MARKER PLACEMENT.
2. IDOT STANDARD 781001-02 SHALL BE MODIFIED TO REFLECT RECESSED PAVEMENT MARKERS INSTEAD OF RAISED PAVEMENT MARKERS.

INSTALLATION NOTES:

1. SAW CUT TO DIMENSIONS SHOWN.
2. SAW CUT AREAS TO BE DRY AND FREE OF MATERIAL THAT ADVERSELY AFFECTS THE ADHESIVE BOND.
3. INSTALL THE REFLECTOR WITH AN APPROVED TWO-COMPONENT EPOXY ADHESIVE. EPOXY SHOULD NOT OBSCURE OR BLOCK THE LENS.
4. INSTALL TOP OF REFLECTOR +/- 3/8 INCH BELOW THE PAVEMENT SURFACE.
5. REFLECTOR SHALL BE 3M SERIES 190 OR APPROVED EQUIVALENT.



HYDRANT SETTING

FILE NAME =	USER NAME = jsm	DESIGNED - JSM	REVISED -	KANE COUNTY DIVISION OF TRANSPORTATION	DETAILS			F.A. RTE. 361	SECTION 06-00214-25-BR	COUNTY KANE	TOTAL SHEETS 220	SHEET NO. 138
	PLOT SCALE = 1.0000" / IN.	DRAWN - JSM	REVISED -		SCALE: N.T.S.	SHEET NO. 2 OF 3 SHEETS	STA. TO STA.	CONTRACT NO. 63076				
	PLOT DATE = 3/27/2009	CHECKED - DNM	REVISED -					FED. ROAD DIST. NO. 1 ILLINOIS FED. AID PROJECT				
		DATE - 3/30/09	REVISED -									