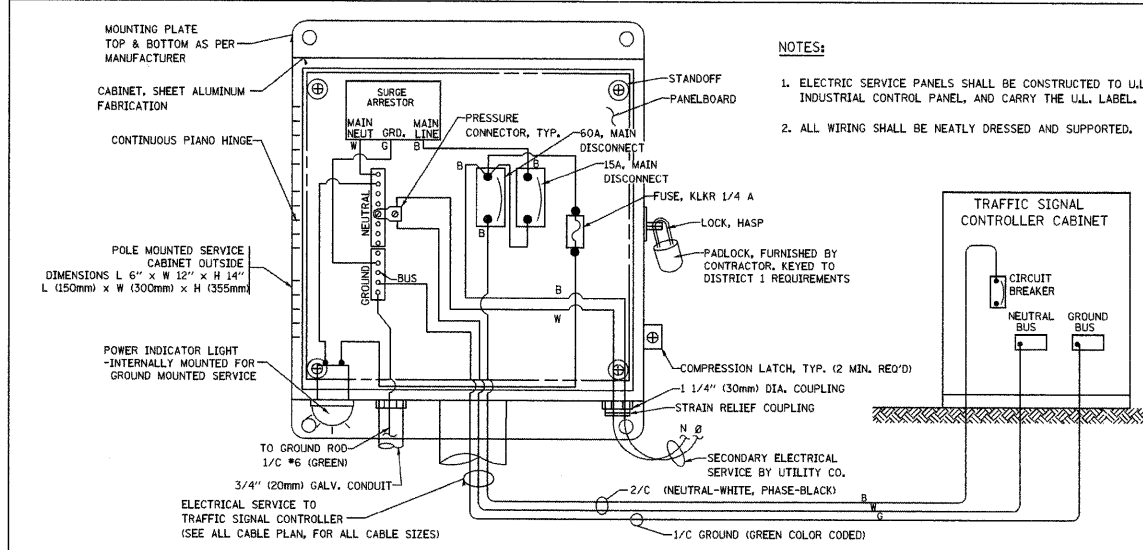
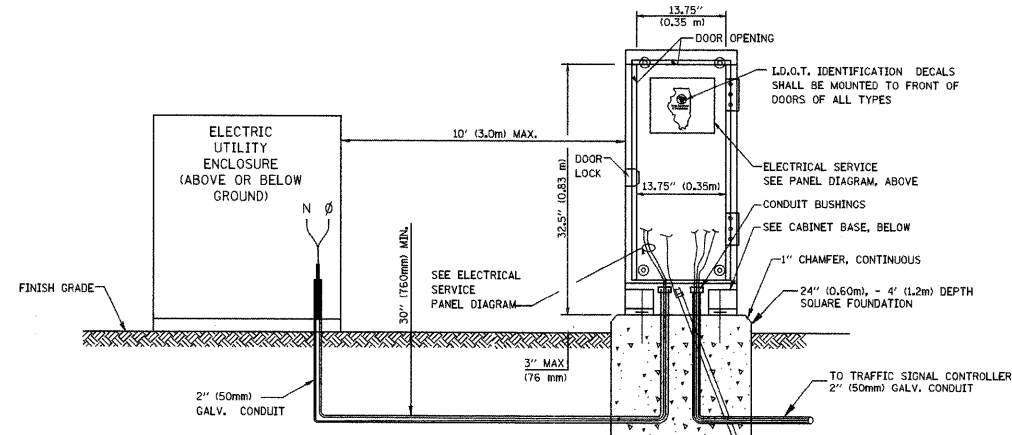


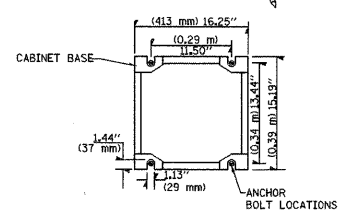
DATE: _____ BY: _____
 SURVEYED: _____ PLOTTED: _____ CHECKED: _____
 PLAN: _____ NOTE BOOK: _____ FILE NAME: _____
 HNTB CORPORATION
 1100 N. LAKE STREET
 SUITE 1200
 CHICAGO, IL 60606
 (312) 930-9115
HNTB
 DATE: _____ BY: _____
 SURVEYED: _____ PLOTTED: _____ CHECKED: _____
 PROFILE: _____ NOTE BOOK: _____ FILE NAME: _____
 STRUCTURE NOTATION: CRK



ELECTRICAL SERVICE - PANEL DIAGRAM (TYPICAL FOR POLE AND GROUND MOUNTED SERVICE)
SERVICE INSTALLATION POLE MOUNT (SHOWN)
 (NOT TO SCALE)

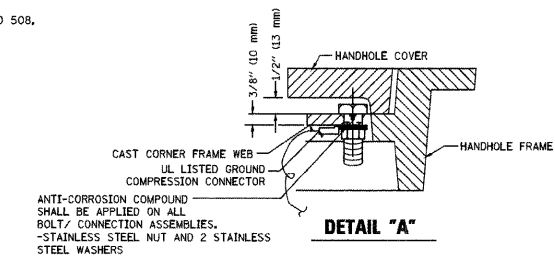


SERVICE INSTALLATION GROUND MOUNT
 (NOT TO SCALE)

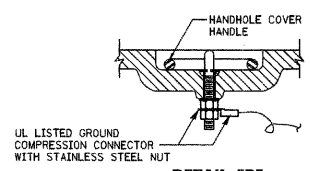


CABINET - BASE BOLT PATTERN
 (NOT TO SCALE)

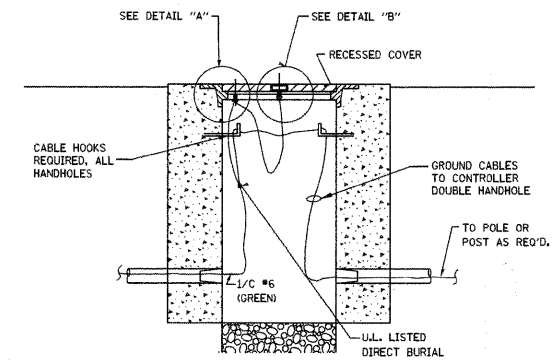
- NOTES:**
1. ELECTRIC SERVICE PANELS SHALL BE CONSTRUCTED TO U.L. STD 508, INDUSTRIAL CONTROL PANEL, AND CARRY THE U.L. LABEL.
 2. ALL WIRING SHALL BE NEATLY DRESSED AND SUPPORTED.



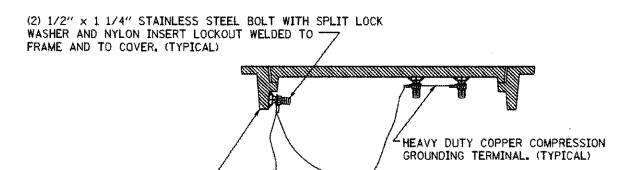
DETAIL "A"



DETAIL "B"



HANDHOLE COVER & FRAME - GROUNDING DETAIL
 (NOT TO SCALE)

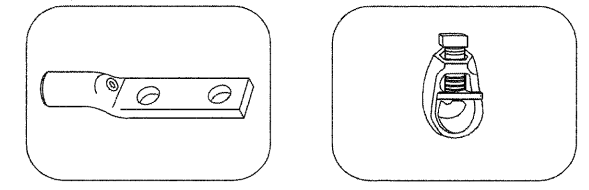


EXISTING HANDHOLE COVER & FRAME - GROUNDING DETAIL
 (NOT TO SCALE)

- NOTES:**

GROUNDING SYSTEM

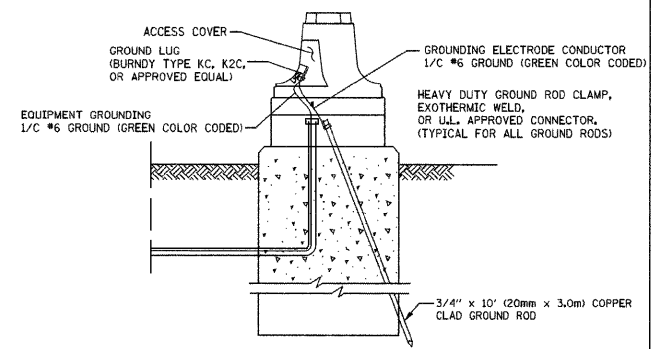
1. THE GROUNDING SYSTEM SHALL CONSIST OF AN INSULATED CONDUCTOR TYPE XLP, NO. 6 A.W.G., STRANDED COPPER TO BE INSTALLED IN RACEWAYS. THE GROUNDING CABLE SHALL BE INSTALLED IN A CONTINUOUS MANNER AS SHOWN ON THE CABLE PLAN PROVIDED. ALL GROUNDING CONDUCTORS SHALL BE BONDED TO METAL ENCLOSURE (HANDHOLE, POST, MAST ARM, CONTROLLER, ETC.). GROUND ROD SHALL BE 3/4" DIA. x 10'-0" (20mm x 3.0m) LONG, COPPER CLAD. ONE GROUND ROD SHALL BE INSTALLED AT ALL POST FOUNDATIONS, POLE FOUNDATIONS, CONTROLLER CABINET FOUNDATION AND ELECTRICAL SERVICE INSTALLATION AS INDICATED ON THE CABLE PLAN. IF THERE ARE ANY SPECIAL CONDITIONS SUCH AS SUB-SURFACE CONDITIONS OR INSTALLATION PROBLEMS, THE RESIDENT ENGINEER SHALL BE NOTIFIED OR CONTACT THE BUREAU OF TRAFFIC, ILLINOIS DEPARTMENT OF TRANSPORTATION DISTRICT ONE AT (847) 705-4139.
2. THE NEUTRAL CONDUCTOR AND THE GROUND CONDUCTOR SHALL BE CONNECTED IN THE SERVICE INSTALLATION. AT NO OTHER POINT IN THE TRAFFIC SIGNAL SYSTEM SHALL THE NEUTRAL AND GROUND CONDUCTORS BE CONNECTED.
3. ALL EQUIPMENT GROUNDING CONDUCTORS SHALL TERMINATE AT THE GROUND BUS IN THE CONTROLLER CABINET.
4. THE CONTRACTOR SHALL PROVIDE A GROUND CABLE WITH CONNECTORS BETWEEN THE HANDHOLE COVER AND HANDHOLE FRAME.



HEAVY-DUTY COMPRESSION TERMINAL (BURNDY TYPE YGHA OR APPROVED EQUAL) 3/4" (20mm) HEAVY-DUTY GROUND ROD CLAMP (BURNDY TYPE GRC OR APPROVED EQUAL)

NOTES:

- ALL CLAMPS SHALL BE BRONZE OR COPPER, UL APPROVED.
- GROUND CABLE SHALL BE LOOPED OVER HOOKS IN THE HANDHOLES
- 6.5' (2.0m) SLACK SHALL BE PROVIDED IN SINGLE HANDHOLES
- 13' (4.0m) OF SLACK SHALL BE PROVIDED IN DOUBLE HANDHOLES.
- 5' (1.4m) OF SLACK SHALL BE PROVIDED BETWEEN FRAME AND COVER.



MAST ARM POLE / POST-GROUNDING DETAIL
 (NOT TO SCALE)

REVISIONS	
NAME	DATE

ILLINOIS DEPARTMENT OF TRANSPORTATION
DISTRICT 1
STANDARD TRAFFIC SIGNAL
DESIGN DETAILS
 SCALE: VERT. NONE
 HORIZ. 1-01-02
 DRAWN BY: RWP
 DESIGNED BY: DAD
 CHECKED BY: DAZ
 SHEET 3 OF 4

TS05

FILE NAME =
 ##DGN5PEC##

USER NAME = jzvolanek	DESIGNED JOSH ZVOLANEK	REVISED -
PLOT SCALE =	CHECKED YOUNGJAE JU	REVISED -
PLOT DATE = 11-FEB-2009	DRAWN JOSH ZVOLANEK	REVISED -
	DATE 2/20/2009	REVISED -

STATE OF ILLINOIS
DEPARTMENT OF TRANSPORTATION

IDOT DISTRICT 1 STANDARD TRAFFIC SIGNAL
DESIGN DETAILS (3 OF 4)
 SCALE:

F.A. RTE.	SECTION	COUNTY	TOTAL SHEETS	SHEET NO.
3512	2000-087 TS	COOK	20	6
STA. TO STA.		CONTRACT NO. 63128		
FED. ROAD DIST. NO.		ILLINOIS FED. AID PROJECT		