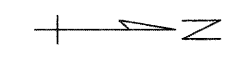
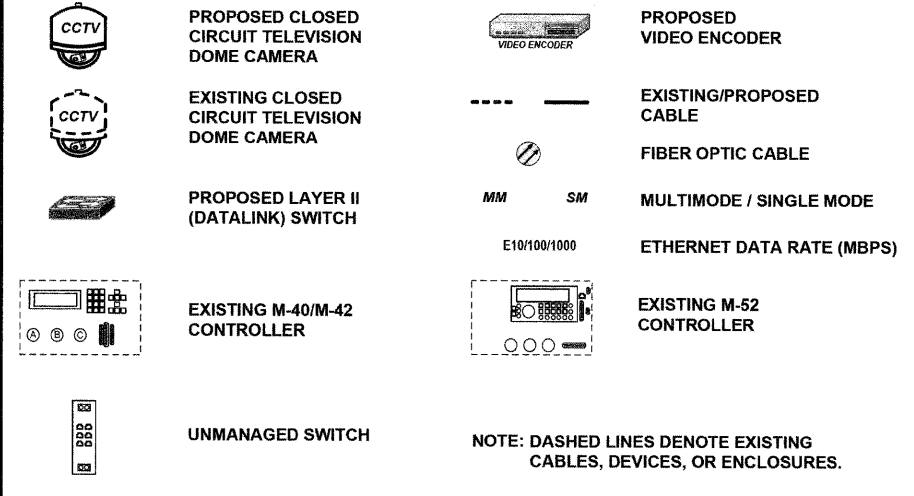


KEY



DATE	BY	DATE	BY
DATE	BY	DATE	BY

SURVEYED
 ALIGNED
 CHECKED
 PLANNED
 BY: JAVIER M. GARCIA
 DATE: 11/11/09

PLAN
 NOTE BOOK NO.

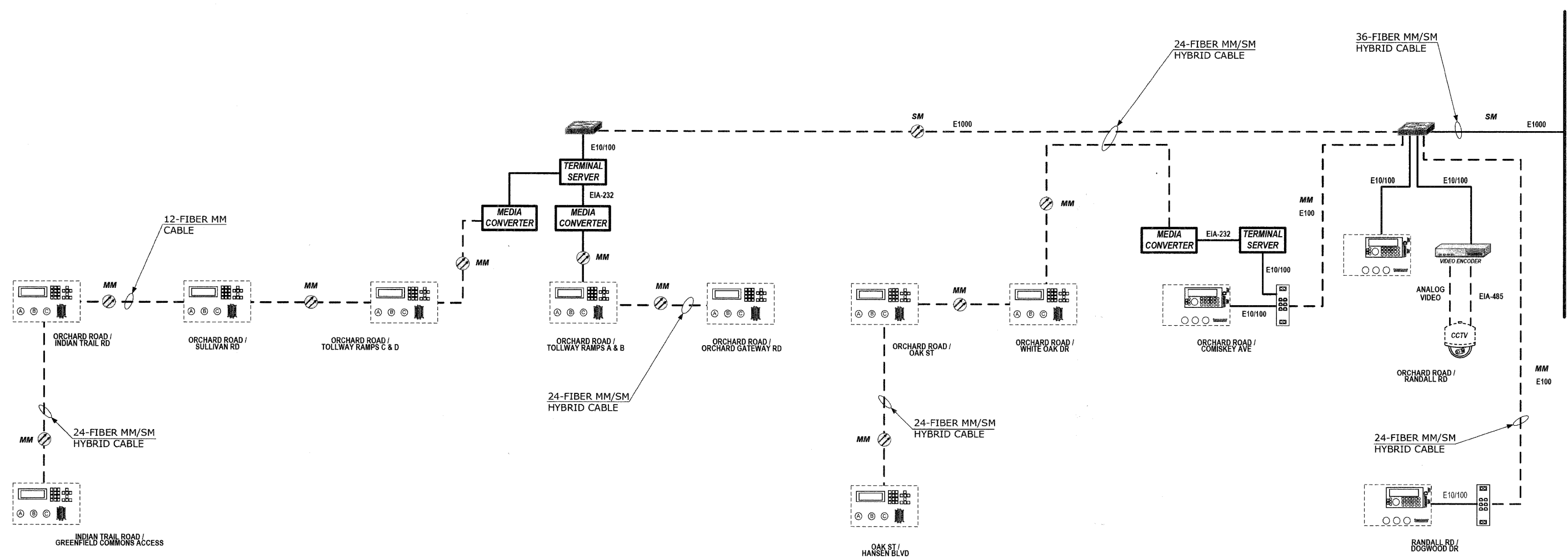
HNTB CORPORATION
 111 N. CANAL STREET
 CHICAGO, IL 60606
 (312) 890-5119

HNTB

DATE
 BY
 DATE
 BY

PROFILE
 NOTE BOOK NO.

SURVEYED
 PLOTTED
 GRADES CHECKED
 B.M. NOTED
 STRUCTURE NOTATIONS OK'D



MATCH LINE A
 PAGE 2 OF 2
 MATCH LINE A

FILE NAME =	USER NAME =	DESIGNED JOSH ZVOLANEK	REVISED -	STATE OF ILLINOIS DEPARTMENT OF TRANSPORTATION	COMMUNICATIONS PLAN (PAGE 1 OF 2) RANDALL ROAD ORCHARD ROAD TO FABYAN PARKWAY	RT#	SECTION	COUNTY	TOTAL SHEETS	SHEET NO.	
		CHECKED YOUNGJAE JU	REVISED -			338	07-00366-00-TL	KANE	43	19	
		DRAWN JOSH ZVOLANEK	REVISED -			CONTRACT NO. 63128					
		DATE 2/20/2009	REVISED -			SCALE: NTS FED. ROAD DIST. NO. ILLINOIS FED. AID PROJECT					