

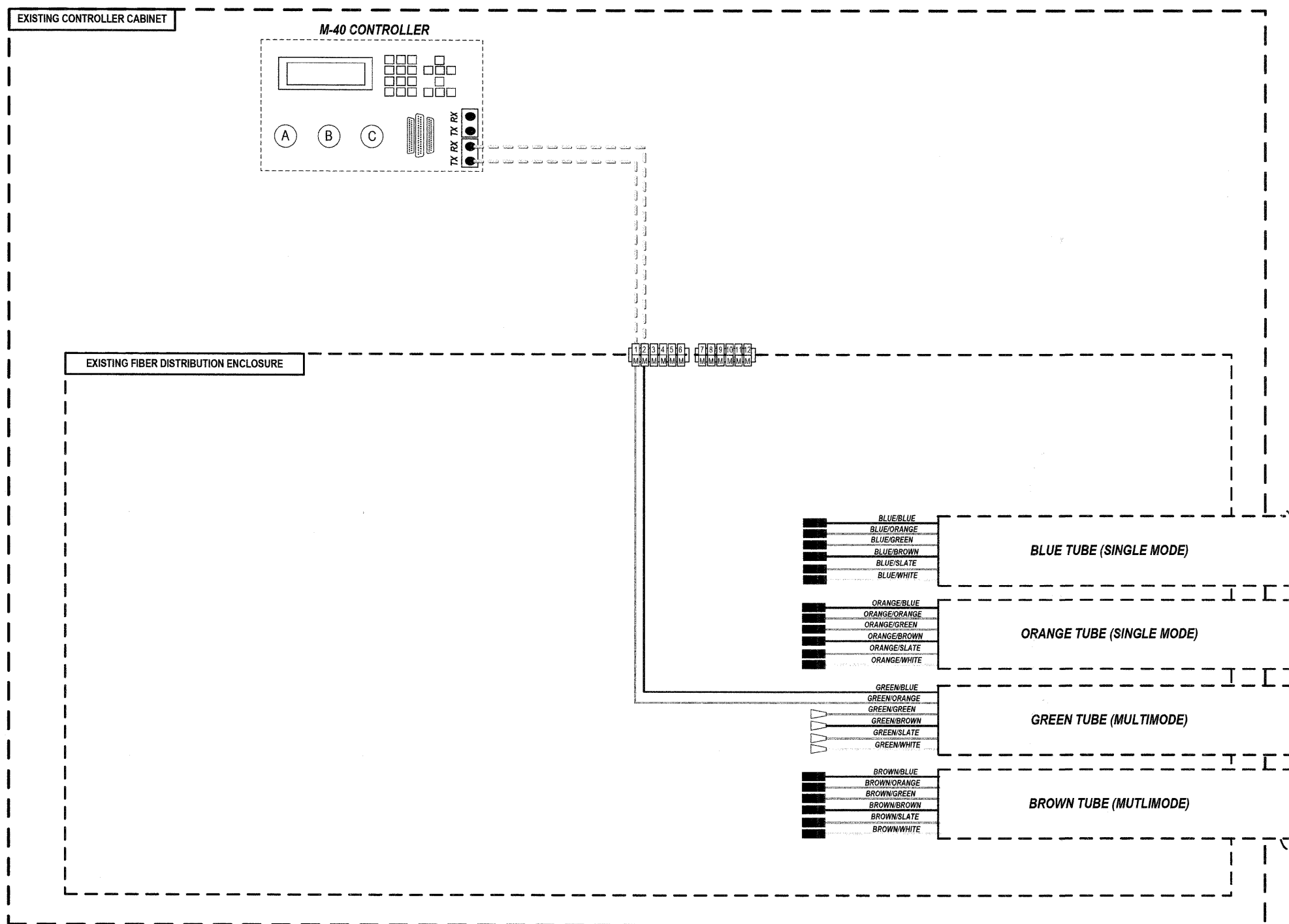
DATE: _____ BY: _____
 SURVEYED: _____
 RT. OR WAY CHECKED: _____
 ASPI FILE NAME: _____

PLAN: _____
 NOTE BOOK NO.: _____

HNTB
 HNTB CORPORATION
 111 N. CANAL STREET
 SUITE 1250
 CHICAGO, IL 60606
 (312) 393-4119

DATE: _____ BY: _____
 SURVEYED: _____
 GRADES CHECKED: _____
 I.G.M. NOTED: _____
 STRUCTURE NOTATIONS CHKD: _____

PROFILE: _____
 NOTE BOOK NO.: _____



KEY

PROPOSED CLOSED CIRCUIT TELEVISION DOME CAMERA

EXISTING CLOSED CIRCUIT TELEVISION DOME CAMERA

FIBER OPTIC JUMPER

FIBER OPTIC PIGTAIL

EXISTING FIBER MECHANICAL CONNECTOR

BARE FIBER LEFT COILED IN SPLICE TRAY

FIBER OPTIC FUSION SPLICE

FIBER PATCH PANEL SINGLE MODE

FIBER PATCH PANEL MULTIMODE

NOTE: DASHED LINES DENOTE EXISTING CABLES, DEVICES, OR ENCLOSURES.

**NO WORK PERFORMED AT THIS INTERSECTION.
 FOR INFORMATION ONLY.**

- NOTES**
- CONTRACTOR TO VERIFY EXISTING FIBER TUBE CONFIGURATIONS IN THE FIELD.
 - IF TUBE ASSIGNMENTS FOR MM/SM DIFFER FROM PLANS THEN ENGINEER TO PROVIDE SPLICE ASSIGNMENTS IN THE FIELD.

FILE NAME =	USER NAME =	DESIGNED JOSH ZVOLANEK	REVISED -	STATE OF ILLINOIS DEPARTMENT OF TRANSPORTATION	FIBER SPLICING AND CONNECTION DETAIL (PAGE 1 OF 22) INDIAN TRAIL ROAD / GREENFIELD COMMONS ACCESS	SCALE: _____	RT. 336	SECTION 07-00366-00-TL	COUNTY KANE	TOTAL SHEETS 43	SHEET NO. 21		
		CHECKED YOUNGJAE JU	REVISED -			CONTRACT NO. 63128			FED. ROAD DIST. NO. ILLINOIS		FED. AID PROJECT		
		DRAWN JOSH ZVOLANEK	REVISED -										
		DATE 2/20/2009	REVISED -										