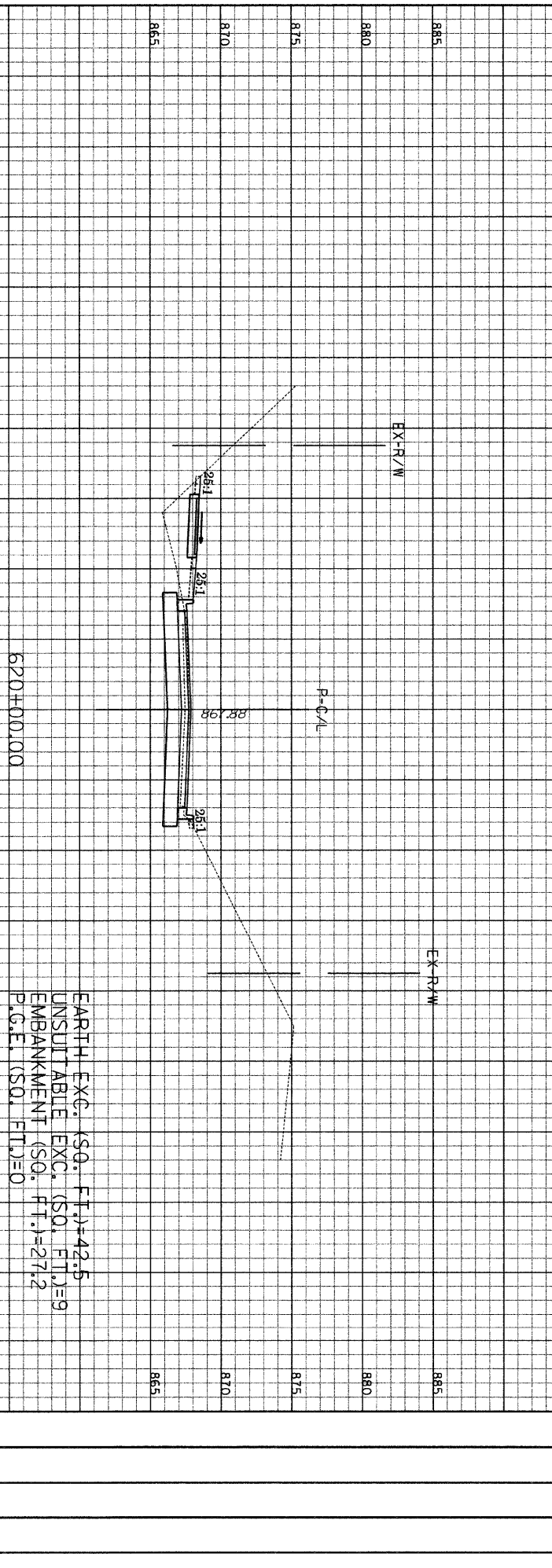
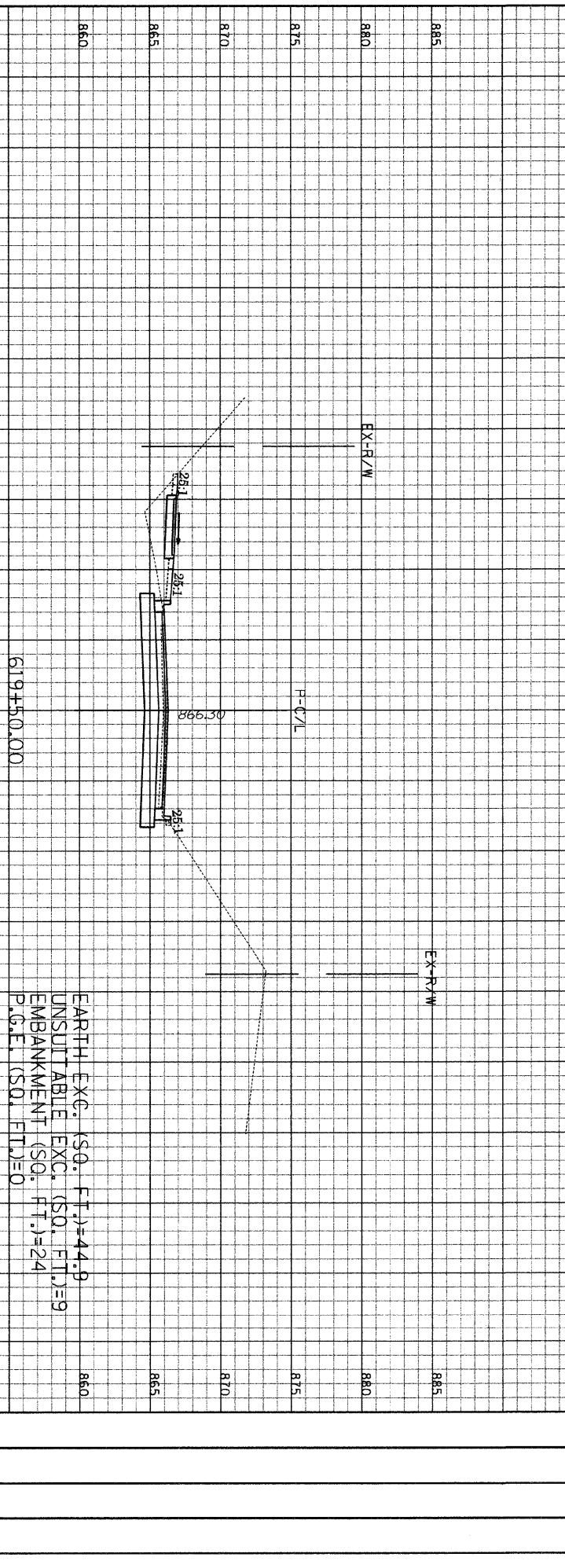


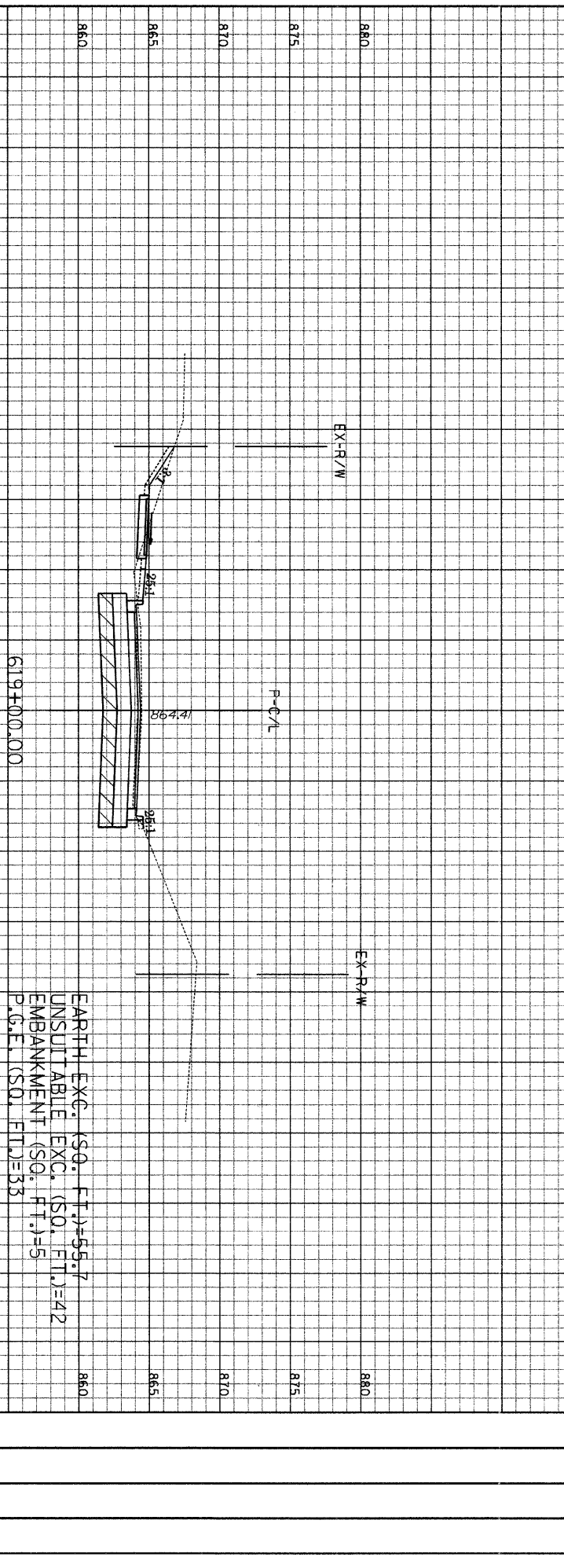
STA. 618+50.00	CONTRACT NO. 63137	ILLINOIS	TOTAL SHEETS	90	SHEET NO.	44
SECTION	COUNTY	TOTAL SHEETS				
07-0072-00-04W	MONROE	90				
TO STA. 620+00.00						



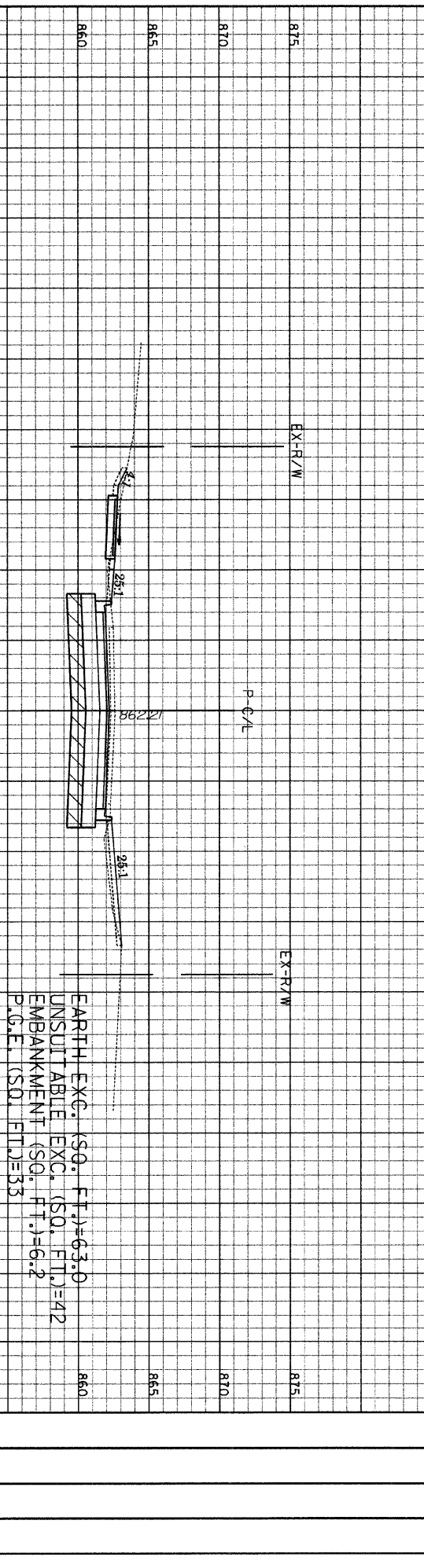
EARTH EXC. (SQ. FT.)=42.5
 UNSUITABLE EXC. (SQ. FT.)=9
 EMBANKMENT (SQ. FT.)=27.2
 P.G.E. (SQ. FT.)=0




EARTH EXC. (SQ. FT.)=44.9
 UNSUITABLE EXC. (SQ. FT.)=9
 EMBANKMENT (SQ. FT.)=24
 P.G.E. (SQ. FT.)=0



EARTH EXC. (SQ. FT.)=55.7
 UNSUITABLE EXC. (SQ. FT.)=42
 EMBANKMENT (SQ. FT.)=5
 P.G.E. (SQ. FT.)=33



EARTH EXC. (SQ. FT.)=63.0
 UNSUITABLE EXC. (SQ. FT.)=42
 EMBANKMENT (SQ. FT.)=6.2
 P.G.E. (SQ. FT.)=33


GRAEF, ANHALT, SCHUMER & ASSOCIATES, INC.
 CONSULTING ENGINEERS AND LAND SURVEYORS
 8501 W. Higgins Road, Suite 280
 Chicago, Illinois 60631
 (312) 399-9114

Edgewood to Huntington	Hor. Scale: 1" = 10'
Edgewood to Huntington	Vert. Scale: 1" = 5'