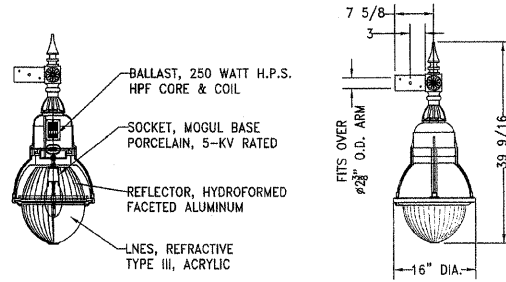


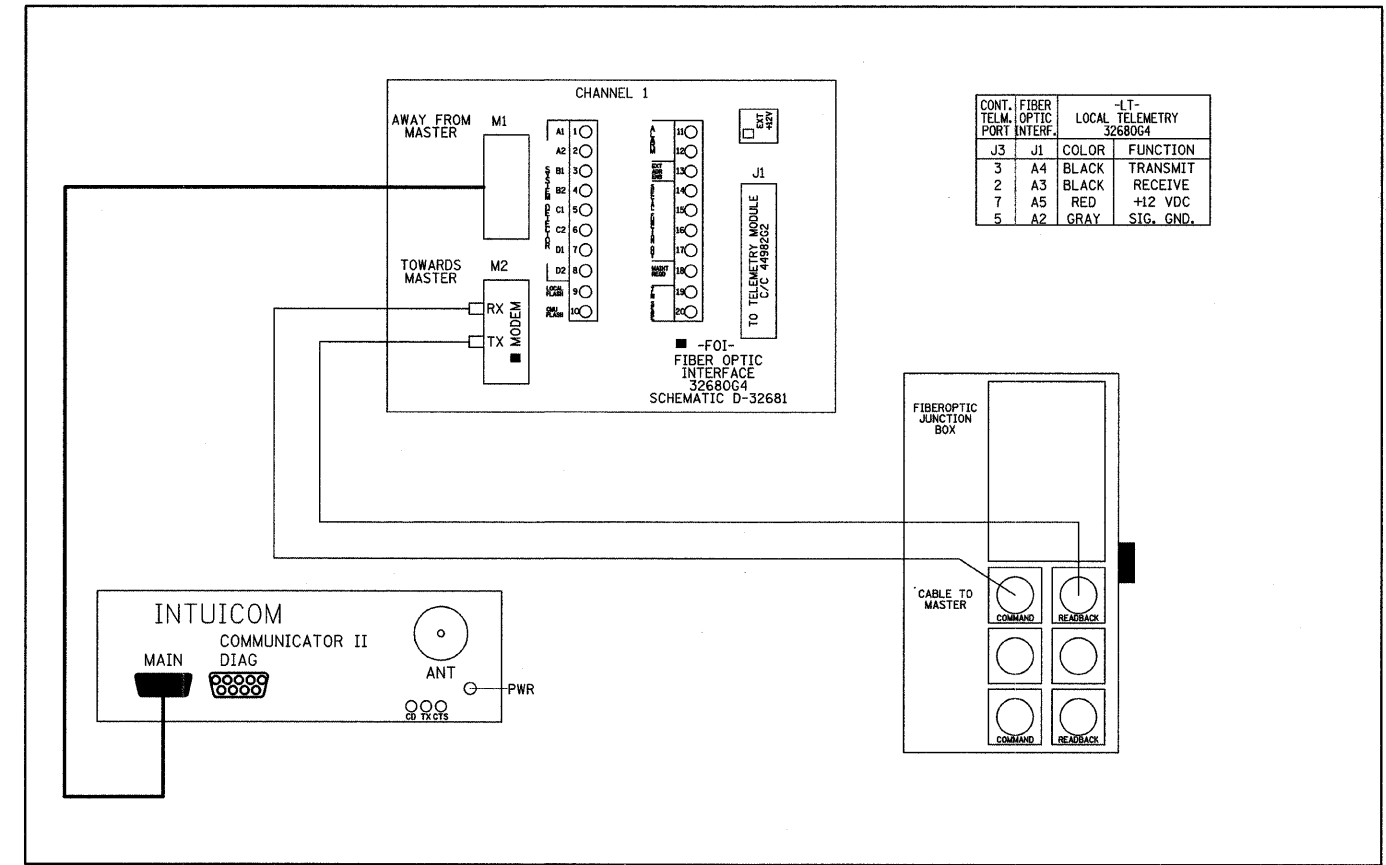
DATE	
BY	
REVISIONS	
NO.	
DESCRIPTION	
DATE	
BY	
PLAN	
NO.	
DESCRIPTION	
DATE	
BY	

NOTES:

- LUMINAIRE SHALL BE A MODEL AL-32000 LUMINAIRE, ARM END MOUNTED AS MANUFACTURED BY BEACON PRODUCTS OR AN EQUAL APPROVED BY THE CITY OF AURORA.
- ALL CAST ALUMINUM PARTS ARE COPPER FREE ALLOY A356. ALL EXTRUDED ALUMINUM PARTS ARE ALLOY 6051-T6.
- LENS: ACRYLIC PRISMATIC TYPE III ACRYLIC.
- OPTICS: HYDROFORMED FACETED REFLECTOR WITH LIGHT SOURCE: 250 WATT H.P.S., ED-28 LAMP, (BY OTHERS). BALLAST: 250 WATT H.P.S., HPF CORE & COIL.
- VOLTAGE: 240 VOLTS HZ/60.
- FIXTURE SHALL BE NRTL LISTED FOR WET LOCATION.
- FASTNERS: ALL FASTNERS ARE STAINLESS STEEL (TAMPER RESISTANT OPTIONAL, SPANNER HD (SHAKE EYE) SPECIAL TOOL REQUIRED, NOT PROVIDED).
- FINISH: BEACOTE III POLYESTHER POWDER COAT ELECTROSTATICALLY APPLIED AND THERMOCLURED, COLOR (SPECIFY).

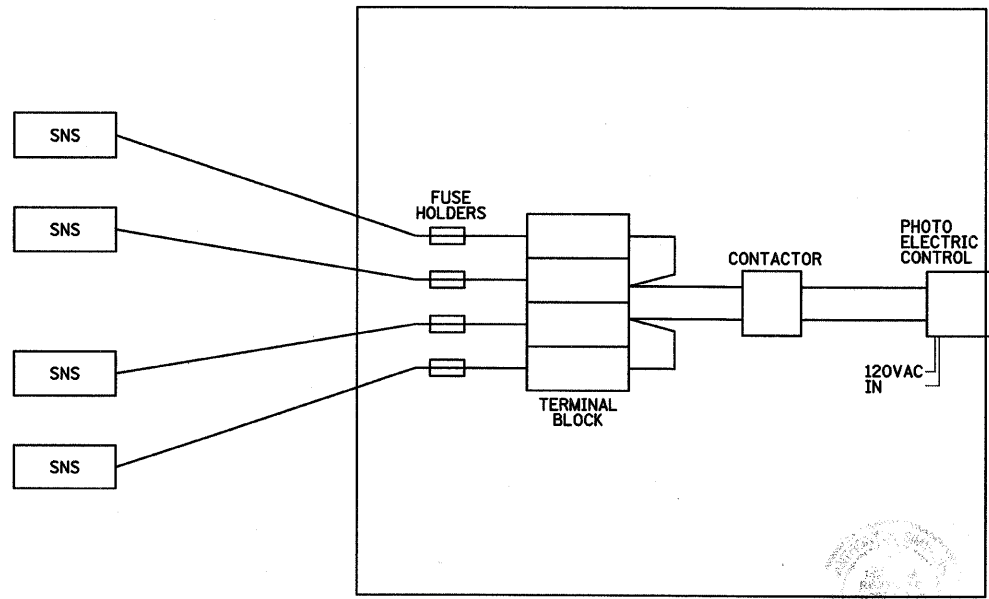


AL-32000 LUMINAIRE, ARM END MOUNTED

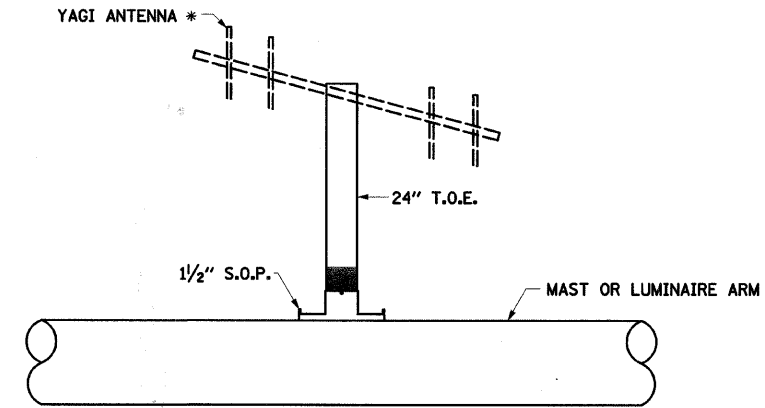


WIRING DETAIL FOR COMBINATION OF WIRELESS AND FIBER OPTIC INTERCONNECT SYSTEMS

DATE	
BY	
REVISIONS	
NO.	
DESCRIPTION	
DATE	
BY	
PROFILE	
NO.	
DESCRIPTION	
DATE	
BY	



LED STREET NAME SIGNS - PHOTOCCELL WIRING DETAIL



WIRELESS ANTENNA MOUNTING DETAIL

* OR EQUAL APPROVED BY THE CITY OF AURORA.