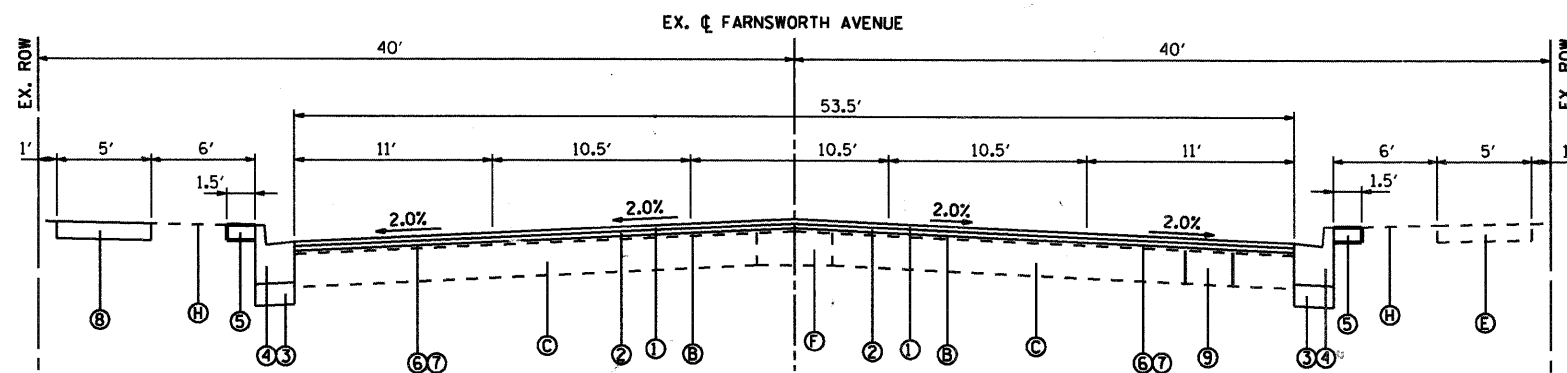
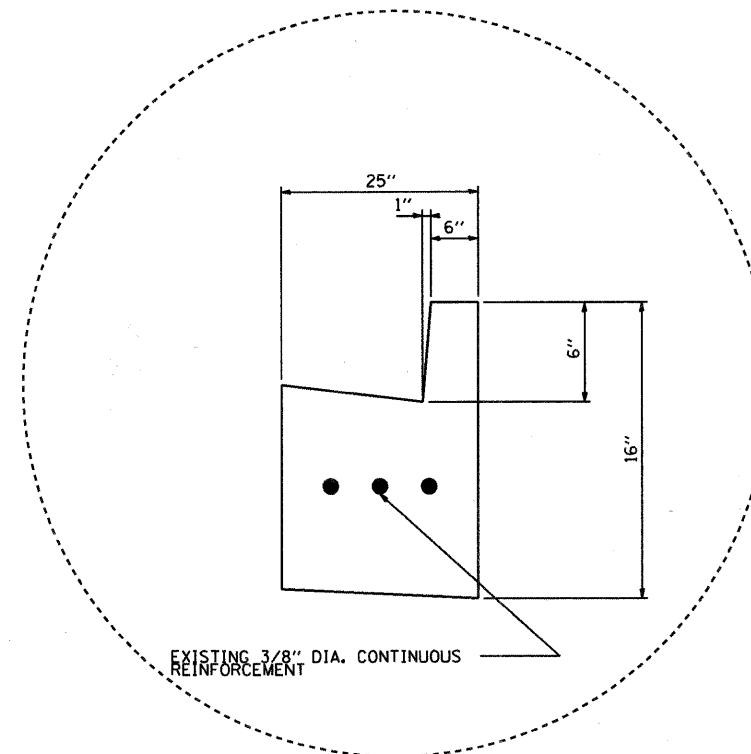


**EXISTING TYPICAL SECTION
FARNSWORTH AVENUE**
STA. 70+75 TO STA. 99+88



**PROPOSED TYPICAL SECTION
FARNSWORTH AVENUE**
STA. 70+75 TO STA. 99+88



**EXISTING COMBINATION CONCRETE
CURB AND GUTTER, TYPE B6.18**

NOTE:
FOR PROPOSED CONCRETE CURB AND GUTTER, TYPE B6.12
DETAIL, SEE CITY OF AURORA DETAIL ON SHEET 9.

EXISTING LEGEND

- Ⓐ HOT-MIX ASPHALT SURFACE COURSE, 2"
- Ⓑ HOT-MIX ASPHALT BINDER COURSE, 2"
- Ⓒ HOT-MIX ASPHALT BASE COURSE, 10 1/2"
- Ⓓ COMBINATION CONCRETE CURB & GUTTER, TYPE B6.18 TO BE REMOVED
- Ⓔ PORTLAND CEMENT CONCRETE SIDEWALK, 5"
- Ⓕ PORTLAND CEMENT CONCRETE BASE COURSE
- Ⓖ HOT-MIX ASPHALT SURFACE REMOVAL, 2 3/4"
- Ⓗ EXISTING GROUND

PROPOSED LEGEND

- ① HOT-MIX ASPHALT SURFACE COURSE, MIX "D", N70, 1 1/2"
- ② LEVELING BINDER (MACHINE METHOD), N70, 1 1/2" (MIN.)
- ③ AGGREGATE BASE COURSE, TYPE B CA-7, 6" (INCLUDED IN THE COST OF CURB & GUTTER)
- ④ COMBINATION CONCRETE CURB AND GUTTER, TYPE B-6.12
- ⑤ SODDING, SALT TOLERANT & TOPSOIL 4" (TO BE INCLUDED IN THE COST OF CURB & GUTTER REMOVAL & REPLACEMENT)
- ⑥ BITUMINOUS MATERIALS (PRIME COAT)
- ⑦ AGGREGATE (PRIME COAT)
- ⑧ SIDEWALK REMOVAL AND REPLACEMENT, SPECIAL (AS DIRECTED BY THE RESIDENT ENGINEER)
- ⑨ CLASS D PATCHES, SPECIAL, 12-INCH (AS DIRECTED BY THE RESIDENT ENGINEER)

HOT-MIX ASPHALT MIXTURE REQUIREMENTS

| MIXTURE TYPE | AC TYPE | VOIDS |
|---|-----------|-------------|
| RESURFACING | | |
| HOT-MIX ASPHALT SURFACE COURSE, MIX "D", N70 (IL 9.5mm) | PG 64-22 | 4% @ 70 GYR |
| LEVELING BINDER (MACHINE METHOD), N70 (IL 9.5mm) | PG 64-22* | 4% @ 70 GYR |
| PATCHING | | |
| CLASS D PATCHES (HMA BINDER IL-19mm), 12-INCH | PG 64-22* | 4% @ 70 GYR |
| DRIVEWAYS | | |
| HOT-MIX ASPHALT SURFACE COURSE, MIX "C", N50 (IL 9.5mm) | PG 64-22 | 4% @ 50 GYR |

THE UNIT WEIGHT USED TO CALCULATE ALL HOT-MIX ASPHALT SURFACE MIXTURES IS 112 LBS/50 YD/IN

*WHEN RAP EXCEEDS 20% THE NEW ASPHALT BINDER IN THE MIX SHALL BE PG 58-22



| | | |
|-----------------------|----------------|-----------|
| USER NAME = jatzeike | DESIGNED - JJS | REVISED - |
| PLOT SCALE = NONE | DRAWN - JJS | REVISED - |
| PLOT DATE = 2/16/2009 | CHECKED - AC | REVISED - |
| | DATE - 2/16/09 | REVISED - |

CITY OF AURORA

TYPICAL SECTIONS

SCALE: NONE SHEET NO. 1 OF 1 SHEETS STA. BEGIN TO STA. END

| F.A. RTE. | SECTION | COUNTY | TOTAL SHEETS | SHEET NO. |
|---|----------------|--------|--------------------|-----------|
| 0360 | 08-00279-00-RS | KANE | 12 | 4 |
| FED. ROAD DIST. NO. ILLINOIS FED. AID PROJECT | | | CONTRACT NO. 63155 | |