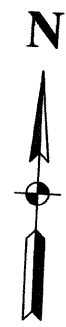
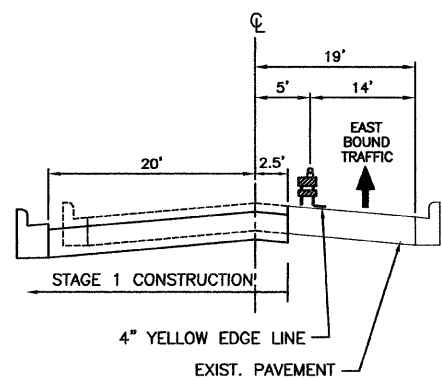


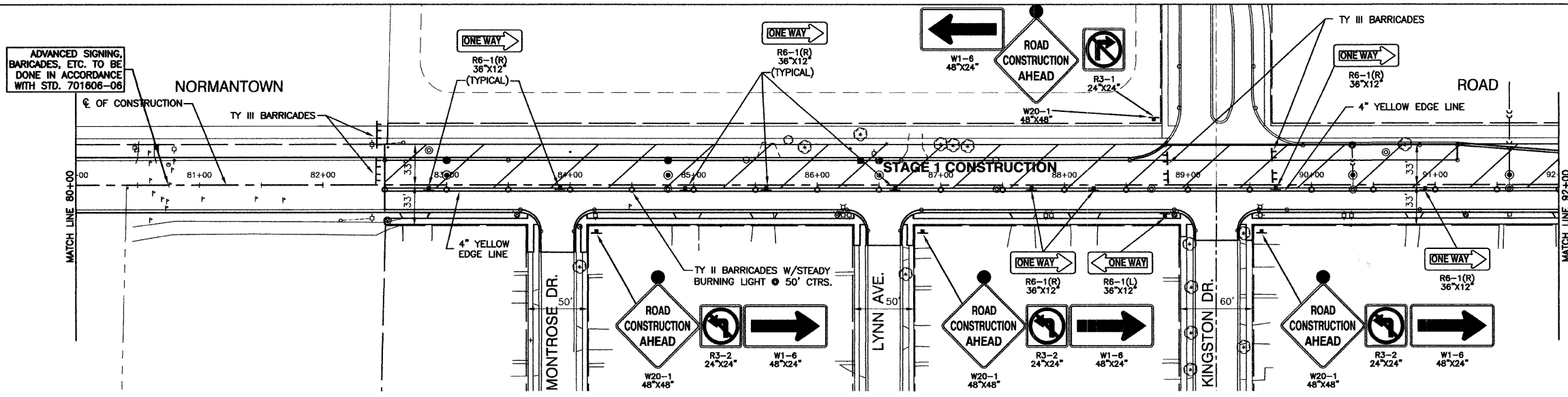
F. A. L. REC.	SECTION	COUNTY	TOTAL SHEETS	SHEET NO.
0281	07-00050-00-FP	WILL	33	8
STA.		TO STA.		
FED. ROAD DIST. NO. 1		FED. AID PROJECT		

CONTRACT #63157

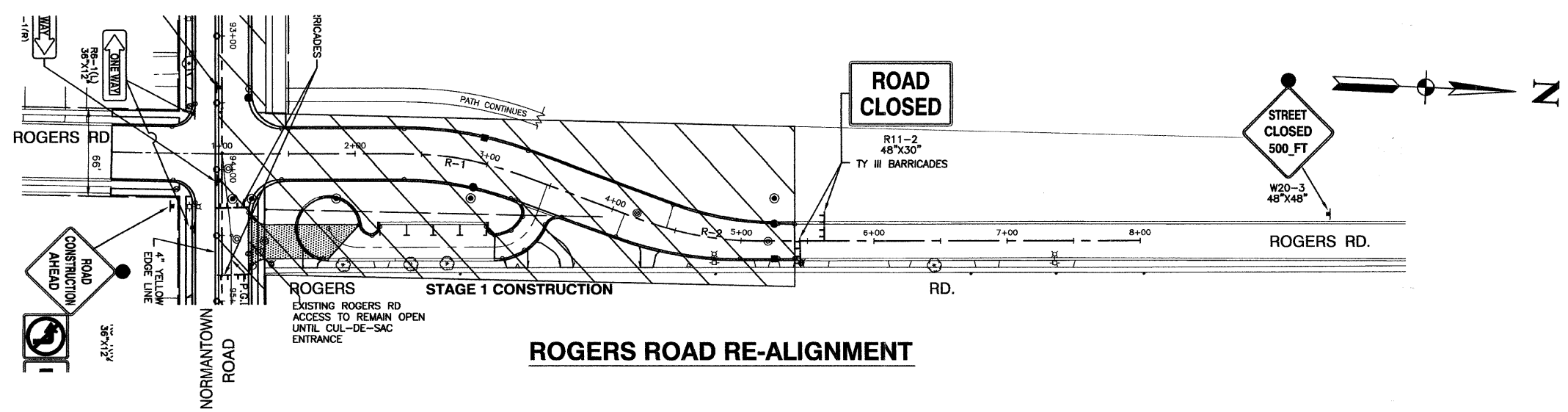
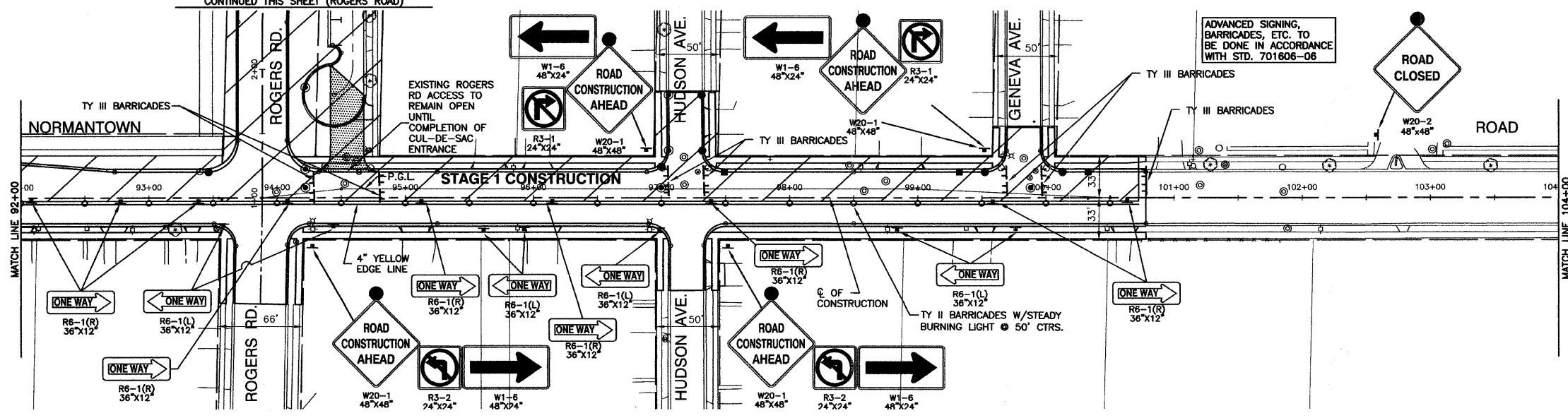


**SEQUENCE OF OPERATIONS**

- PRE-STAGE**  
ESTABLISH DETOUR ROUTE FOR WESTBOUND NORMANTOWN ROAD; RELOCATE UTILITIES.
- STAGE 1**  
SIGN AND STRIPE ACCORDING TO PLANS; CONSTRUCT NORTH HALF OF IMPROVEMENT FROM STA 82+50 TO STA 100+72; ROGERS ROAD FROM NORMANTOWN ROAD TO STA 4+25.60, LESS SURFACE COURSE; CONSTRUCT STORM SEWER.
- STAGE 2**  
SIGN AND STRIPE ACCORDING TO PLANS; TRANSITION EASTBOUND TRAFFIC TO PAVEMENT CONSTRUCTED IN STAGE 1; CONSTRUCT SOUTH HALF OF IMPROVEMENT FROM STA 82+50 TO STA 100+72; LESS SURFACE COURSE.
- STAGE 3**  
PLACE SURFACE COURSE; COMPLETE STRIPING, SIGNING, AND LANDSCAPING



CONTINUED THIS SHEET (ROGERS ROAD)



**ROGERS ROAD RE-ALIGNMENT**

REVISIONS	
NAME	DATE
IDOT REVIEW	2-24-2009

ILLINOIS DEPARTMENT OF TRANSPORTATION

**NORMANTOWN ROAD RECONSTRUCTION  
ROMEIOVILLE  
MAINTENANCE OF TRAFFIC  
STAGE 1**

SCALE: VERT. N/A  
HORIZ. 1" = 50'  
DATE 01/19/2009

DRAWN BY JJB  
CHECKED BY BDB