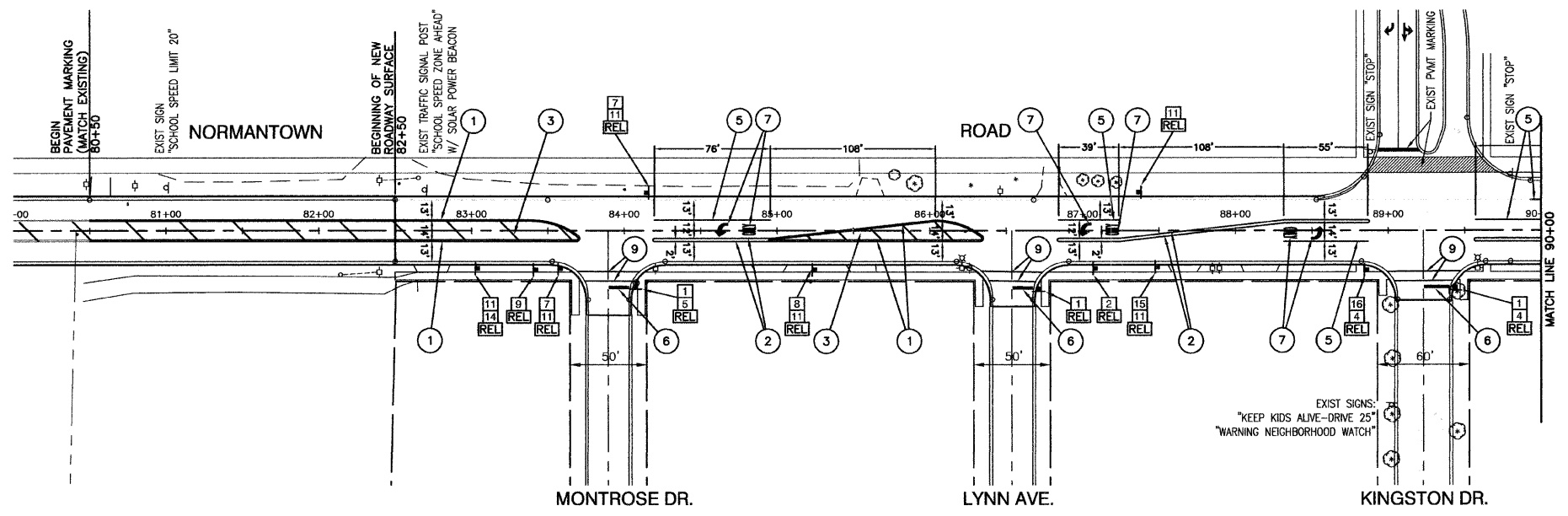


| | | | | |
|-----------------------|----------------|------------------|--------------|-----------|
| F. A. U. REL. | SECTION | COUNTY | TOTAL SHEETS | SHEET NO. |
| 0281 | 07-00050-00-FP | WILL | 33 | 16 |
| STA. | | TO STA. | | |
| FED. ROAD DIST. NO. 1 | | FED. AID PROJECT | | |

CONTRACT #63157

SIGN LEGEND

- REL = RELOCATE SIGN PANEL
ASSEMBLY - TYPE 1
- TRAFFIC SIGN
- 1 R1-1 30"x30"
- 11 R7-1 12"x18"
- 2 W3-1 36"x36"
- 12 R7-203 12"x18"
- 3 S1-1 36"x36"
- 13 SPECIAL 12"x18"
- 4 R1-3 12"x6"
- 14 SPECIAL 12"x18"
- 5 W4-4P 24"x18"
- 15 SPECIAL 18"x24" (WHITE ON BLUE)
- 6 W4-4P 24"x12"
- 16 R1-1 30"x30" W/ FLASHING LIGHT
- 7 R2-1 24"x30"
- 8 R2-1 SPECIAL 24"x32"
- 9 S5-2 24"x30"
- 10 R12-1 24"x30"

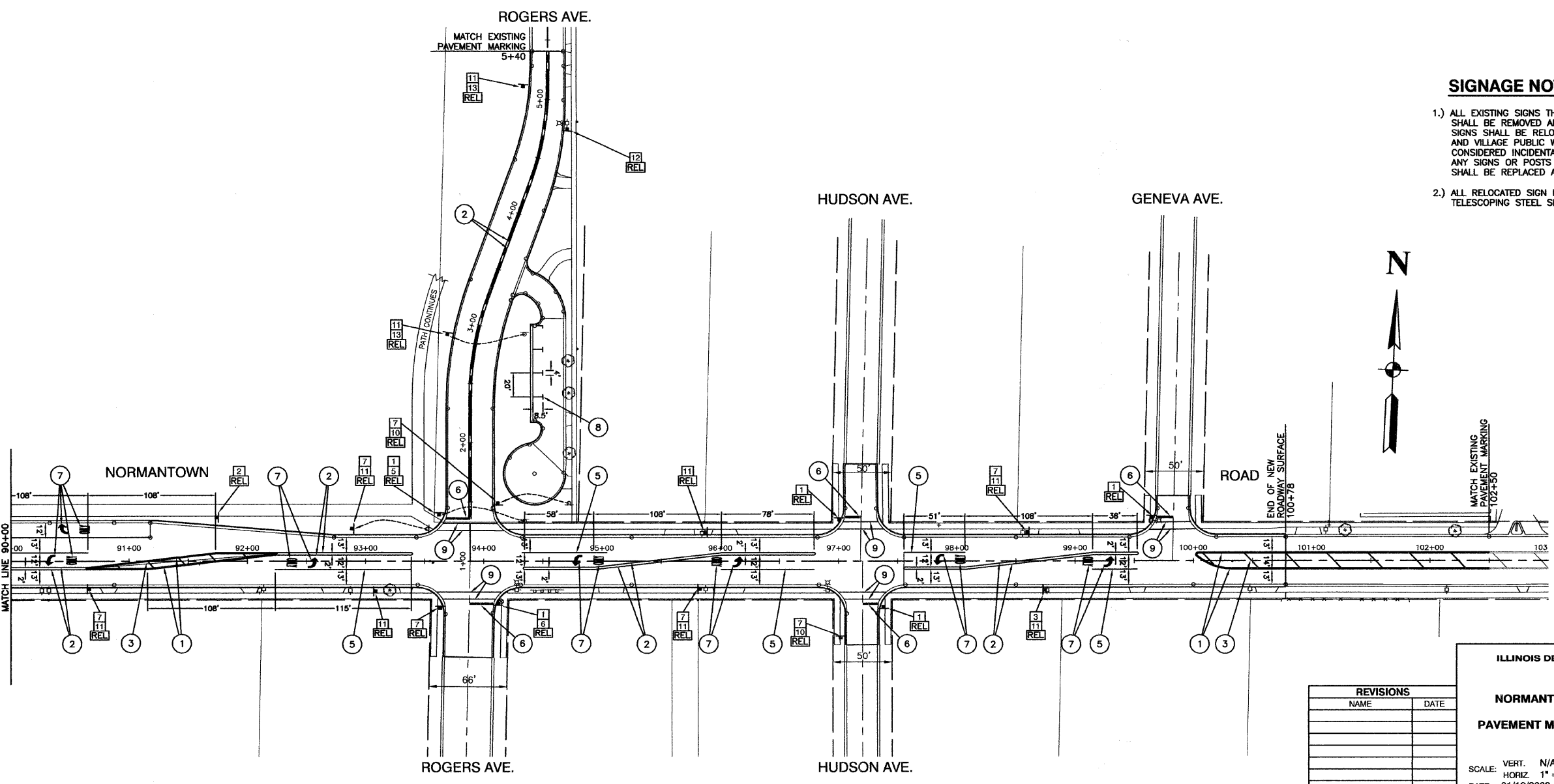


PAVEMENT MARKING LEGEND

- 1 DOUBLE MEDIAN OUTLINE - 4" YELLOW (11" O-C)
- 2 MEDIAN OUTLINE - 4" YELLOW
- 3 MEDIAN DIAGONAL - 12" YELLOW (35' CTRS OR MIN. 5 PER, TYP.)
- 4 LANE LINE - 4" WHITE (10' ON, 30' OFF)
- 5 LANE LINE - 6" WHITE
- 6 STOP BAR - 24" WHITE
- 7 LETTERS & SYMBOLS - WHITE
- 8 PARKING SPACE LINE - 4" WHITE
- 9 CROSSWALK LINE - 6" WHITE

PAVEMENT MARKING NOTES:

- 1.) ALL PAVEMENT MARKINGS SHALL BE THERMOPLASTIC UNLESS OTHERWISE NOTED.
- 2.) SEE IDOT STANDARD TC-13 FOR PAVEMENT MARKING DETAILS.



SIGNAGE NOTES:

- 1.) ALL EXISTING SIGNS THAT CONFLICT WITH CONSTRUCTION SHALL BE REMOVED AND STORED OFFSITE. ALL EXISTING SIGNS SHALL BE RELOCATED AS DIRECTED BY THE ENGINEER AND VILLAGE PUBLIC WORKS. THIS WORK SHALL BE CONSIDERED INCIDENTAL TO THE COST OF THE CONTRACT. ANY SIGNS OR POSTS DAMAGED DURING CONSTRUCTION SHALL BE REPLACED AT THE COST OF THE CONTRACTOR.
- 2.) ALL RELOCATED SIGN PANELS WILL BE INSTALLED WITH NEW TELESCOPING STEEL SIGN SUPPORTS.

| REVISIONS | |
|-----------|------|
| NAME | DATE |
| | |
| | |
| | |
| | |

ILLINOIS DEPARTMENT OF TRANSPORTATION
**NORMANTOWN ROAD RECONSTRUCTION
 ROMEVILLE
 PAVEMENT MARKING PLAN AND SIGNING PLAN**

SCALE: VERT. N/A
 HORIZ. 1" = 50'
 DATE: 01/19/2009
 DRAWN BY: JJB
 CHECKED BY: BDB