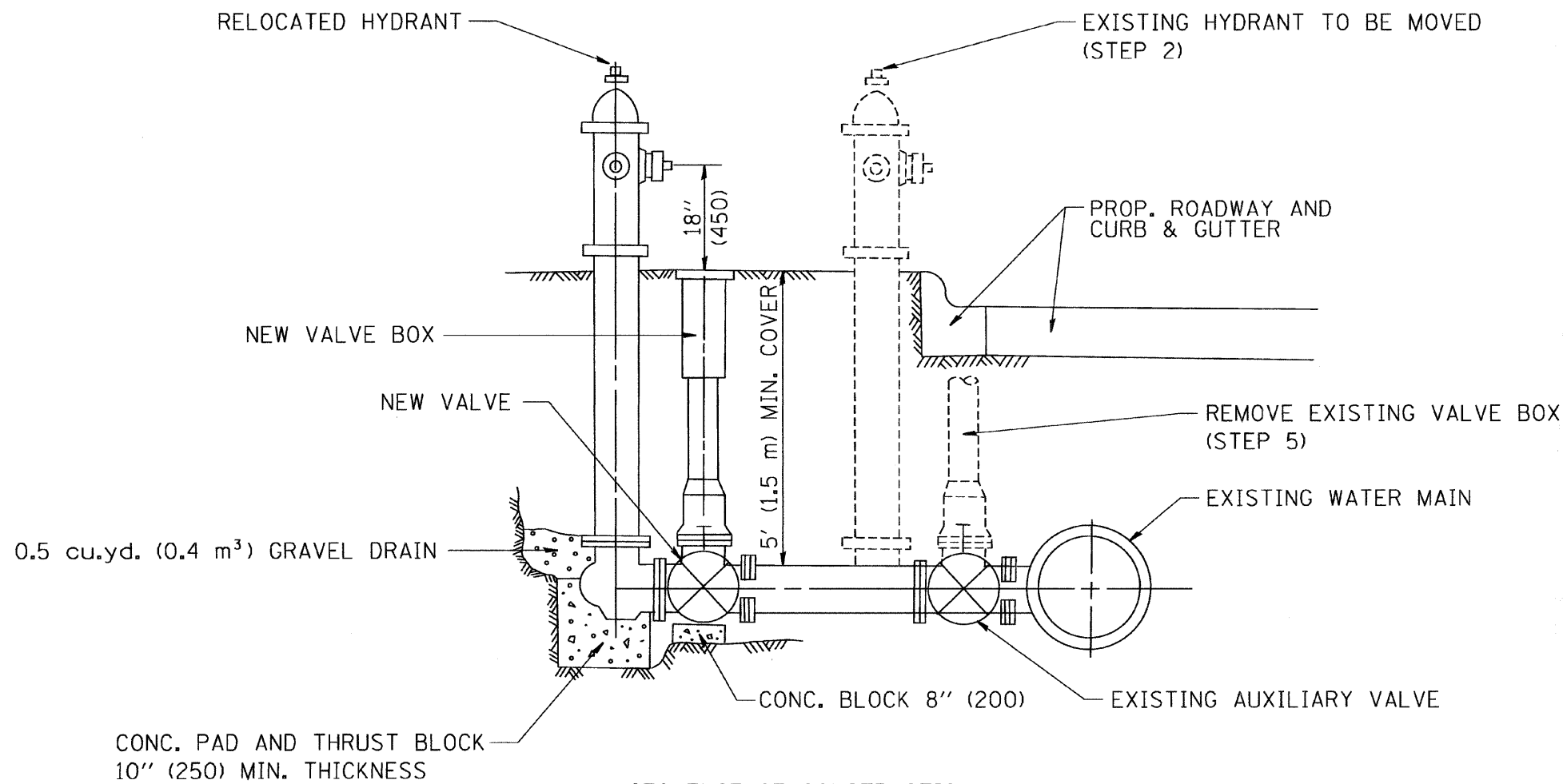


F. A. U. RTE.	SECTION	COUNTY	TOTAL SHEETS	SHEET NO.
0281	07-00050-00-FP	WILL	33	21

STA.	TO STA.

FED. ROAD DIST. NO. 1 ILLINOIS FED. AID PROJECT

CONTRACT #63157



SEQUENCE OF CONSTRUCTION:

1. CLOSE EXISTING VALVE.
2. REMOVE EXISTING HYDRANT.
3. INSTALL HYDRANT EXTENSION AND NEW VALVE.
4. RELOCATE EXISTING HYDRANT.
5. OPEN EXISTING VALVE, REMOVE BOX.
6. BACKFILL.
7. FLUSH AND TEST FOR CHLORIDE RESIDUAL AND PROVIDE TEST.

ALL WORK TO BE DONE IN ACCORDANCE WITH ARTICLE 564 OF THE STANDARD SPECIFICATIONS. NEW VALVE AND BOX SHALL BE SAME MAKE AND MODEL AS EXISTING.

FIRE HYDRANT TO BE MOVED

ALL DIMENSIONS ARE IN INCHES (MILLIMETERS) UNLESS OTHERWISE SHOWN.

FILE NAME =	USER NAME = gegl10n0bt	DESIGNED -	REVISED - R. SHAH 09-09-94
M:\distatd\22x34\bd36.dgn		DRAWN -	REVISED - R. SHAH 10-25-94
		PLOT SCALE = 50.0000' / IN.	CHECKED -
		PLOT DATE = 1/4/2000	DATE -

STATE OF ILLINOIS  
DEPARTMENT OF TRANSPORTATION

FIRE HYDRANT TO BE MOVED

SCALE: NONE	SHEET NO. 1 OF 1 SHEETS	STA.	TO STA.	F.A. RTE.	SECTION	COUNTY	TOTAL SHEETS	SHEET NO.
					BD-36			
				FED. ROAD DIST. NO. 1 ILLINOIS FED. AID PROJECT				