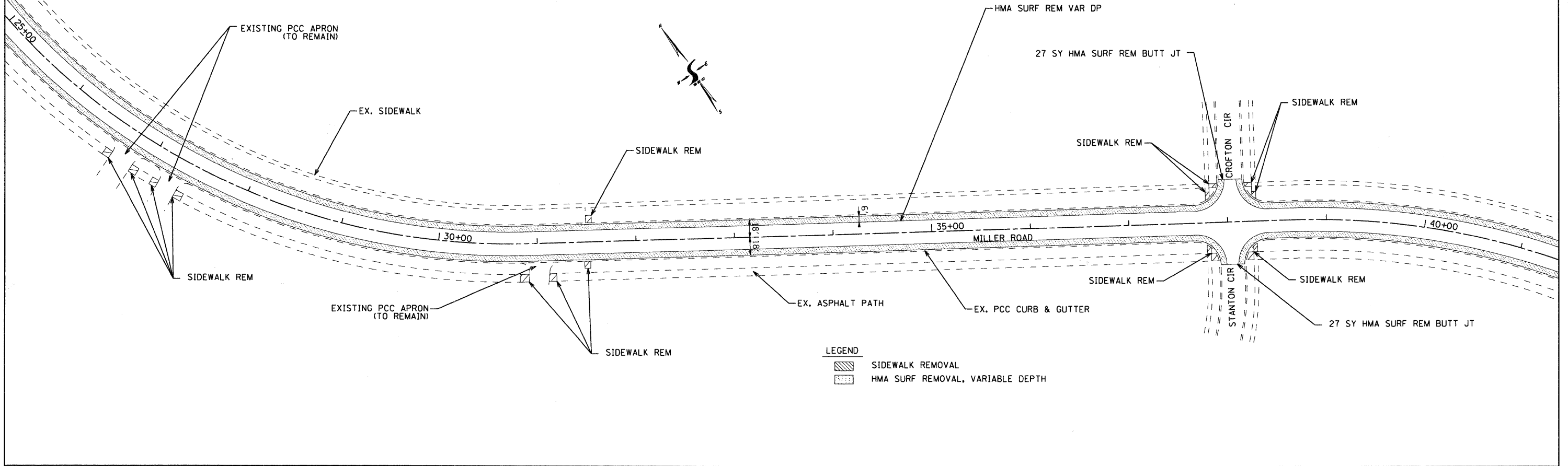
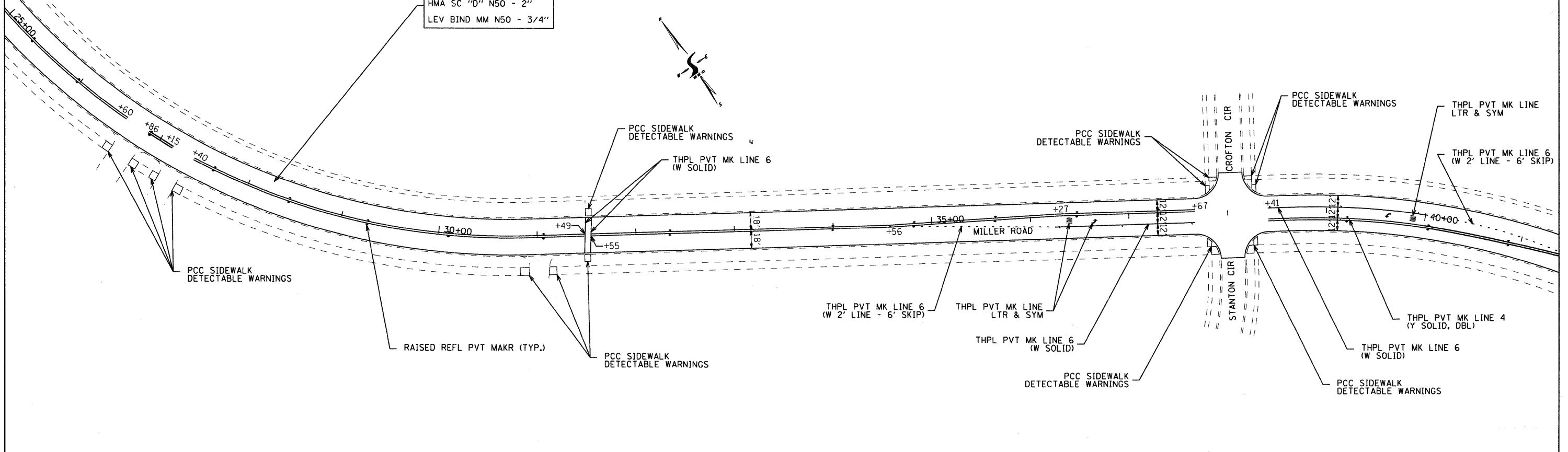


**EXISTING CONDITIONS AND REMOVALS**



**PROPOSED PLAN**



**SEC Group, Inc.**  
 Engineering  
 Surveying  
 Planning  
 Landscape Architecture  
 McHenry • Yorkville • New Lenox • Chicago  
 www.secgroupinc.com

USER NAME = jguerrero	DESIGNED -	REVISED -
PLOT SCALE = 1"=50'	DRAWN -	REVISED -
PLOT DATE = 4/9/2009	CHECKED -	REVISED -
	DATE - TBD	REVISED -

**VILLAGE OF LAKE IN THE HILLS 2009 LAPP  
 RESURFACING PROGRAM**

**ROADWAY PLAN  
 MILLER ROAD**  
 SCALE: 1"=50' SHEET NO. 3 OF 5 SHEETS STA. TO STA.

F.A. RTE.	SECTION	COUNTY	TOTAL SHEETS	SHEET NO.
	08-00032-00-RS	MCHENRY	21	6
FED. ROAD DIST. NO.		ILLINOIS FED. AID PROJECT		CONTRACT NO. 63164

LAKE IN THE HILLS 2009 LAPP  
 LTH-080551  
 080551.rvt03.dgn