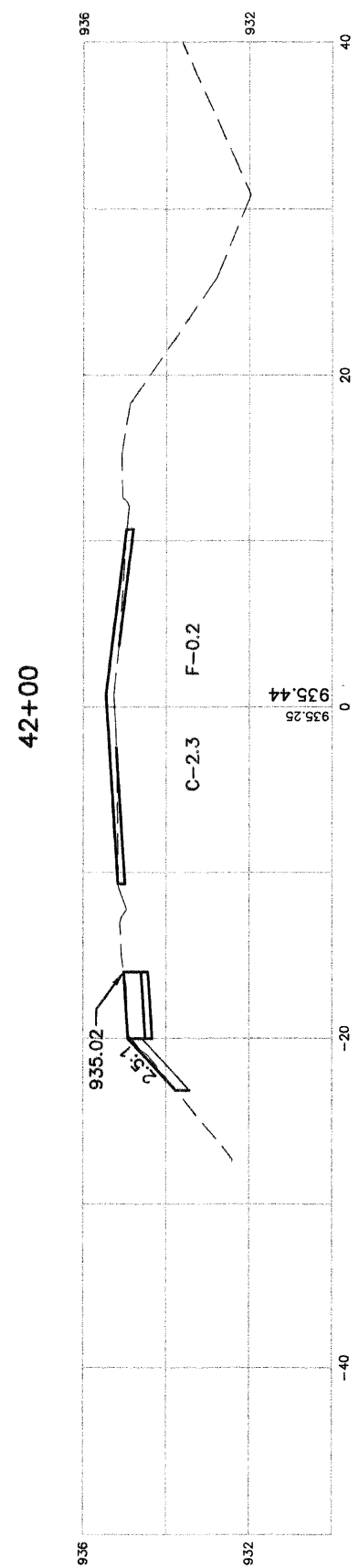
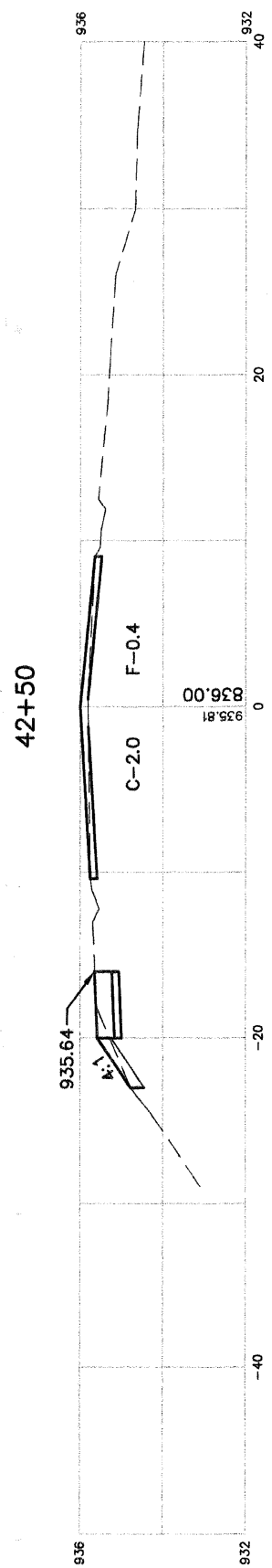
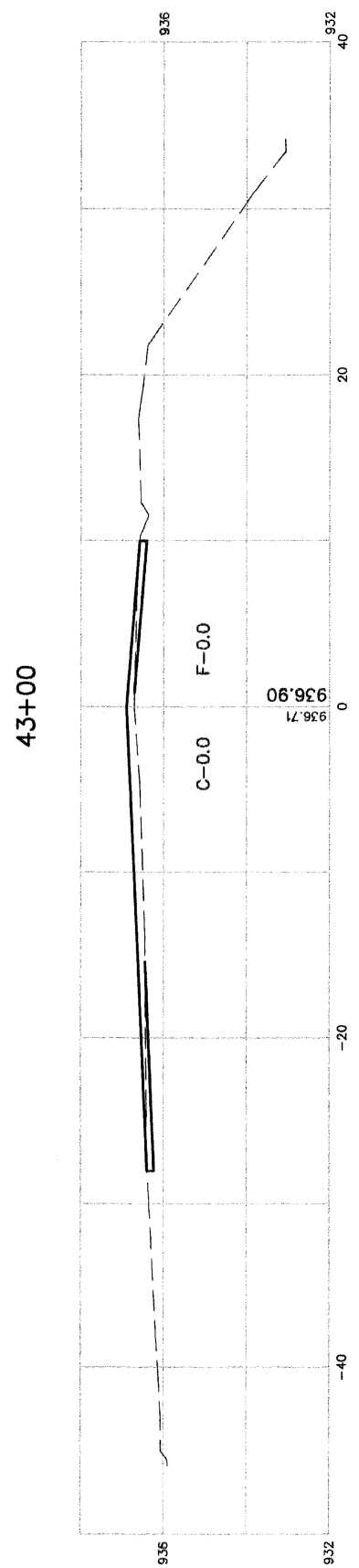
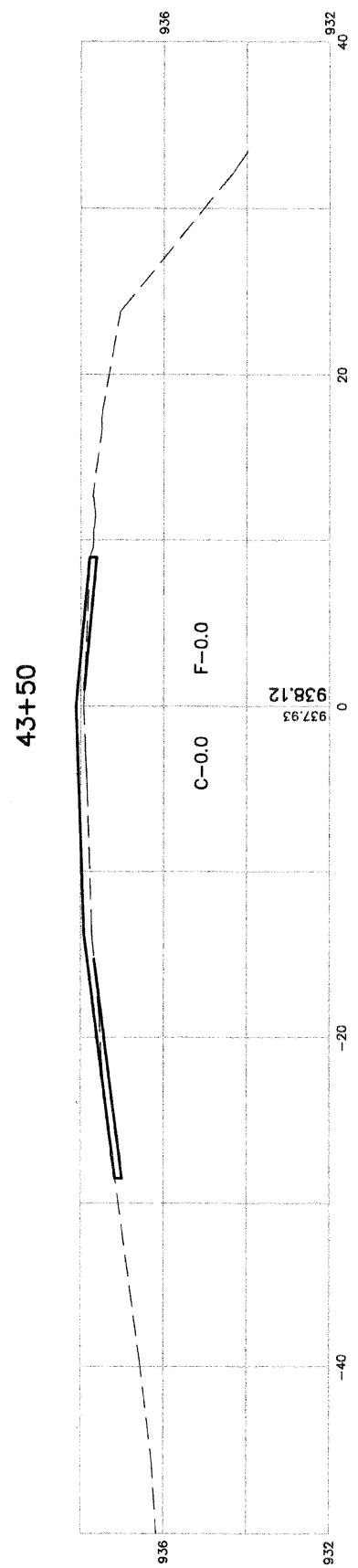
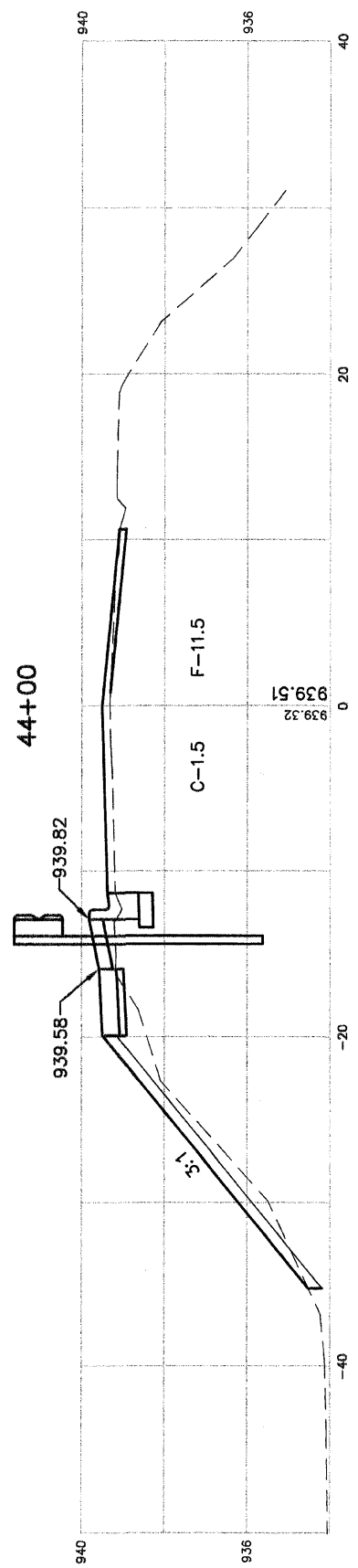


F.A.U. ROUTE	MUNICIPAL SECTION	COUNTY	TOTAL SHEET SHITS.	NO.
033	08-00109-00-RS	McHENRY	32	9
CROSS SECTIONS STA. 42+00 TO STA. 44+00				
F.H.W.A. REG.5 ILLINOIS CONTRACT NO. 63169				



SOUTH STREET

SCALE: 1"=5' HORIZONTAL  
 1"=2' VERTICAL