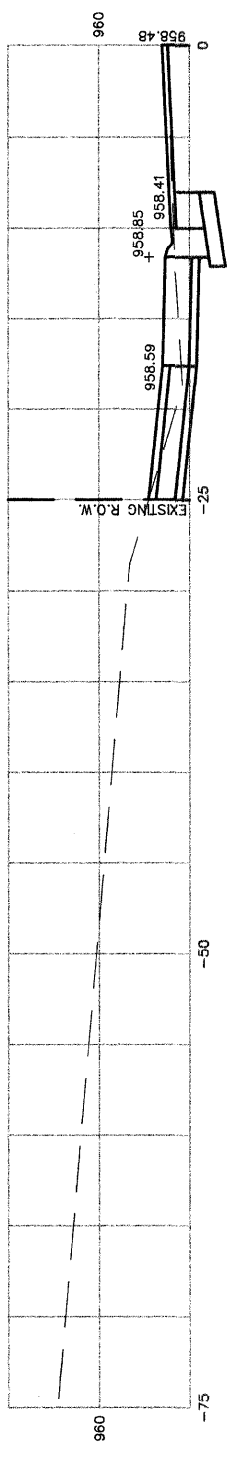
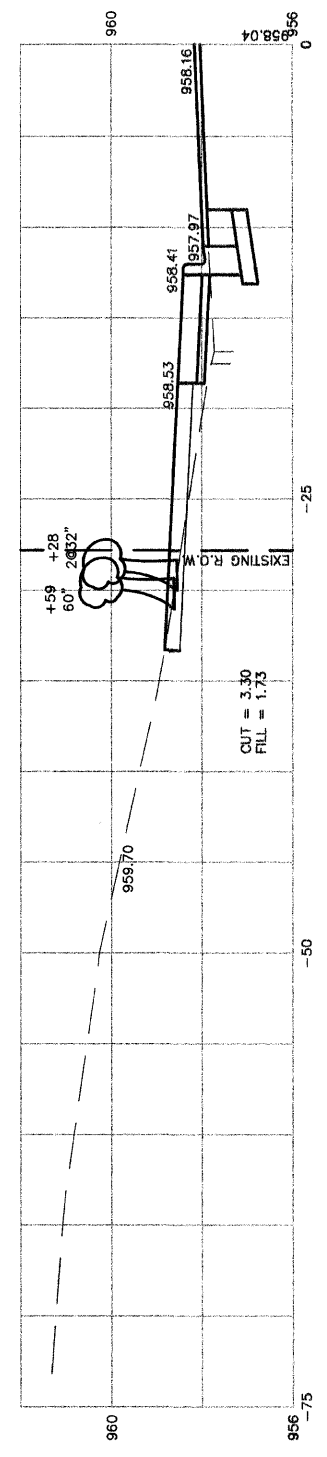


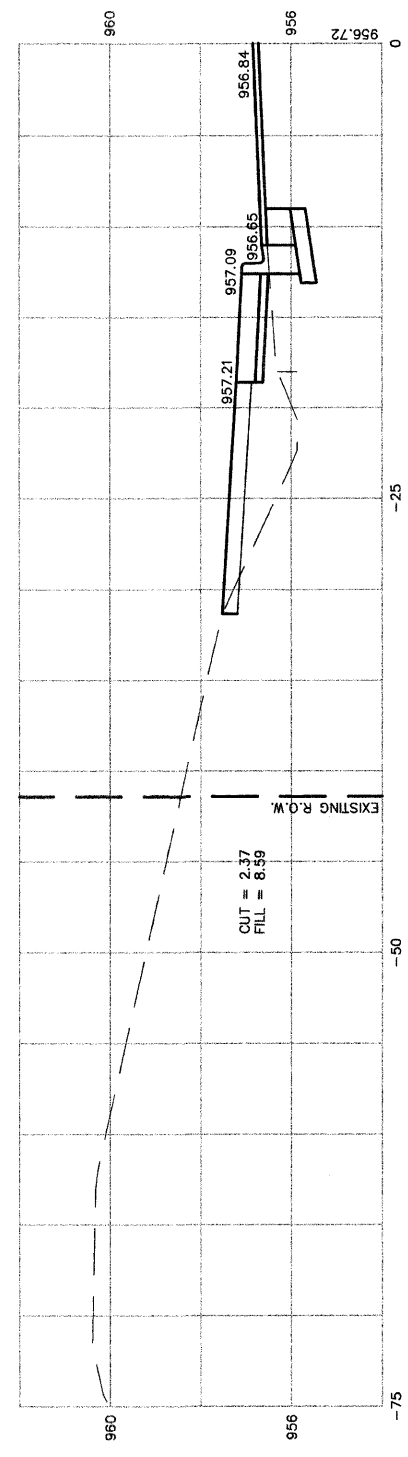
8+77
 P.E. LT.



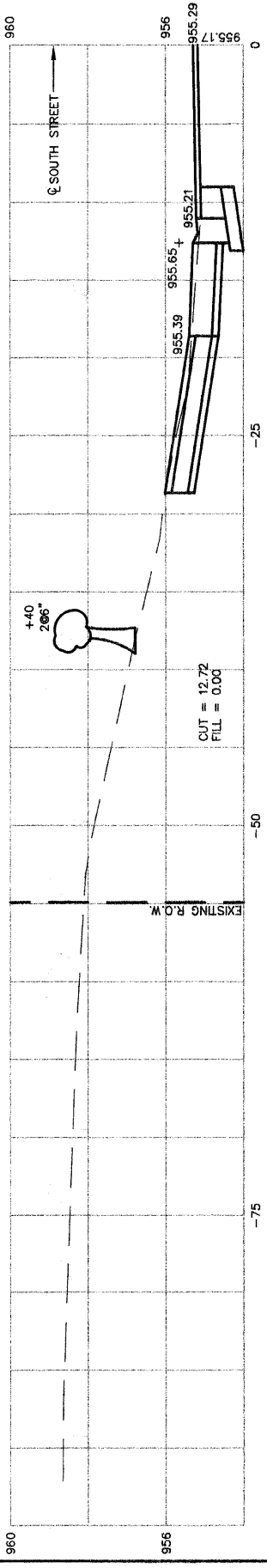
8+50



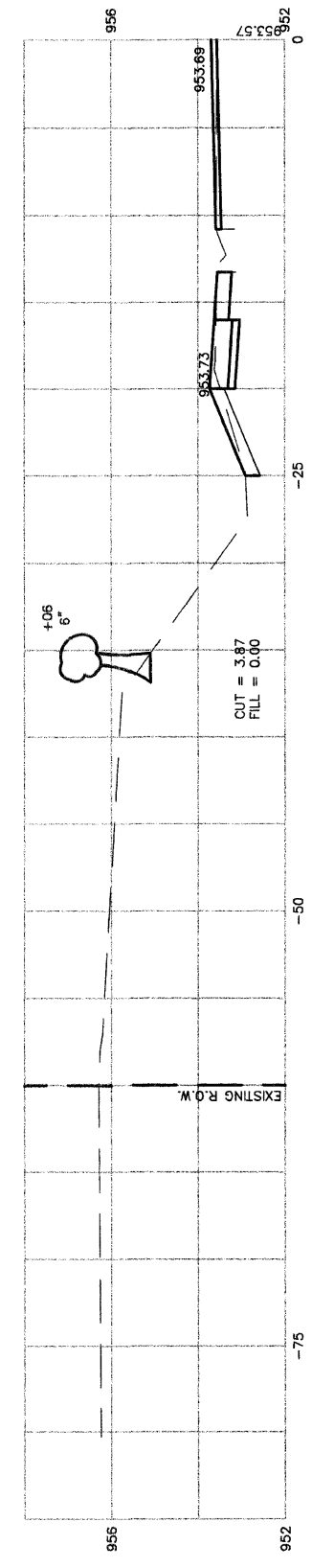
8+00



7+50
 AND PE LT.



7+00



F.A.U. ROUTE	MUNICIPAL SECTION	COUNTY	TOTAL SHEETS	SHEET NO.
033	08-00109-00-RS	McHENRY	32	17
CROSS SECTIONS STA. 7+00 TO STA. 8+50				
F.H.W.A. REG.5 ILLINOIS			CONTRACT NO. 63169	

SOUTH STREET

SCALE: 1"=5' HORIZONTAL
 1"=2' VERTICAL