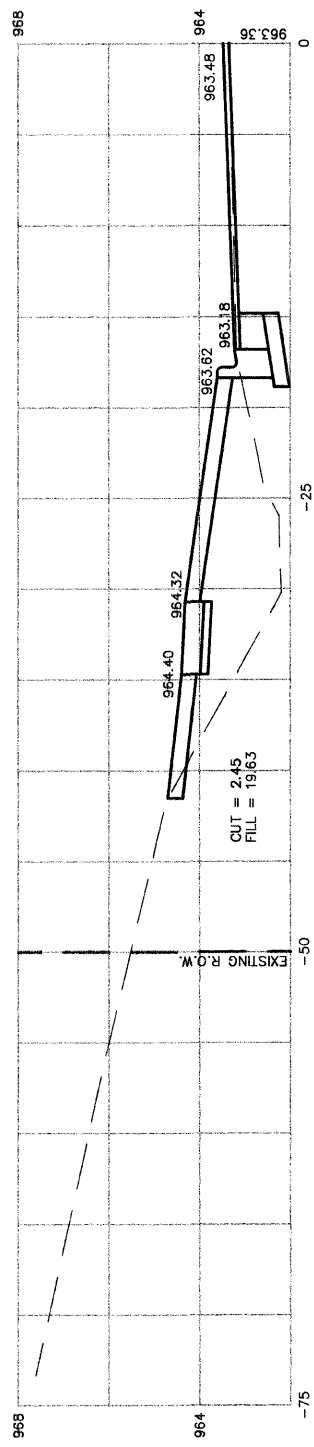
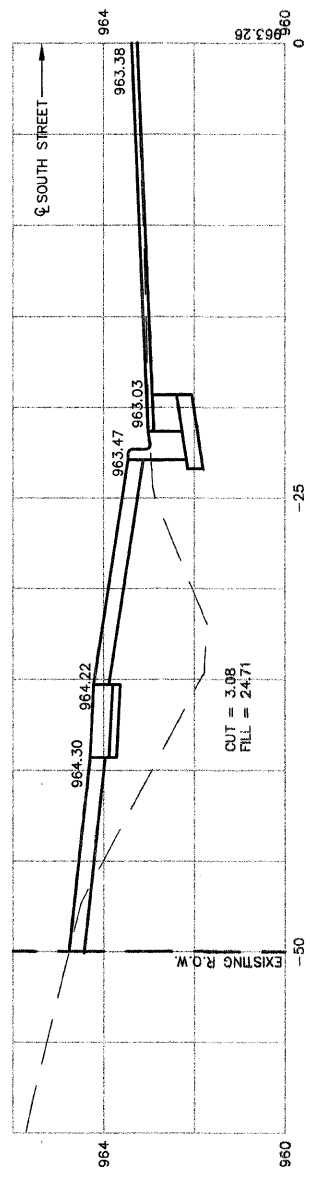


F.A.U. ROUTE	MUNICIPAL SECTION	COUNTY	TOTAL SHEETS	SHEET NO.
033	08-00109-00-RS	McHENRY	32	21
CROSS SECTIONS STA. 16+00 TO STA. 18+00				
F.H.W.A. REG.5 ILLINOIS CONTRACT NO. 63169				

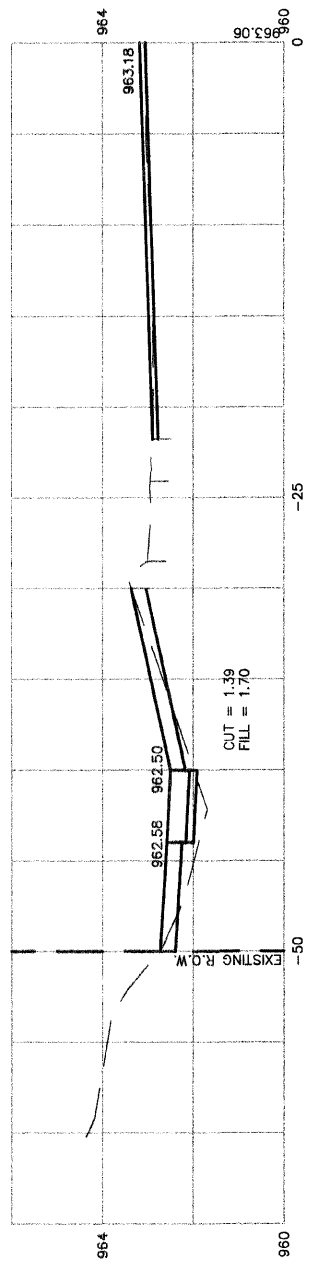
17+00



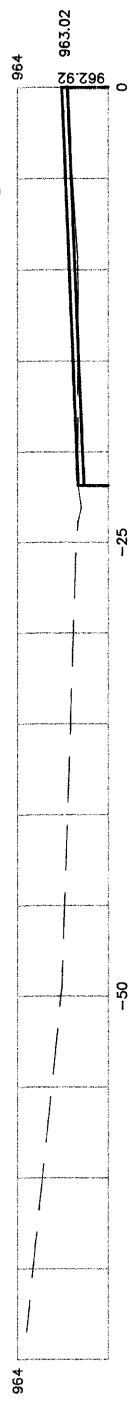
16+50



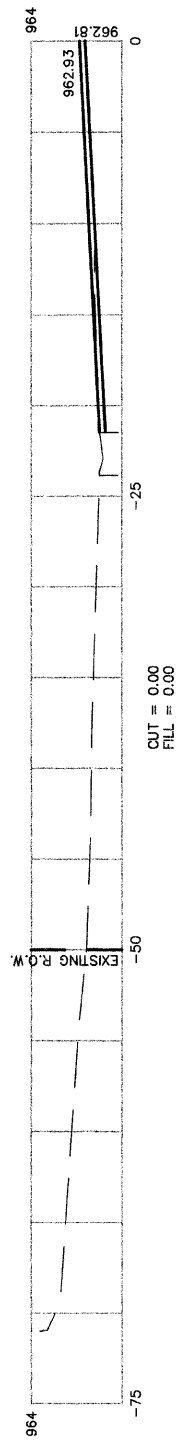
16+00



15+67
 DUVALL DRIVE



15+50



SOUTH STREET

SCALE: 1"=5' HORIZONTAL
 1"=2' VERTICAL