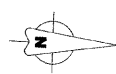
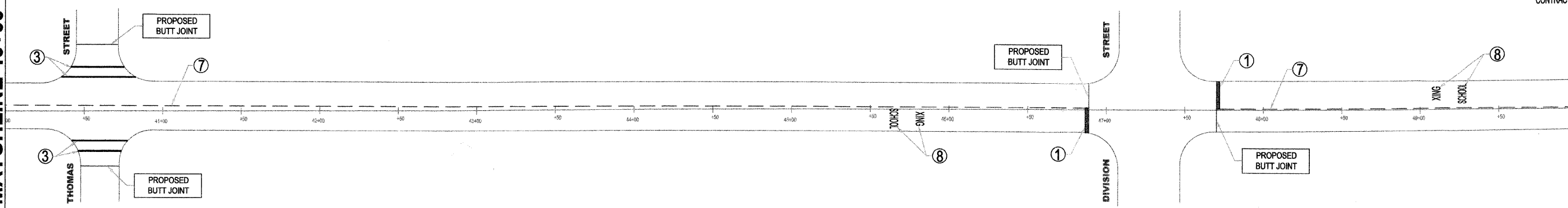


F.A.P. RTE.	SECTION	COUNTY	TOTAL SHEETS	SHEET NO.
2765	08-00088-00-RS	COOK	17	13
FED. ROAD DIST. NO. 1		ILLINOIS		

CONTRACT NO. 63179

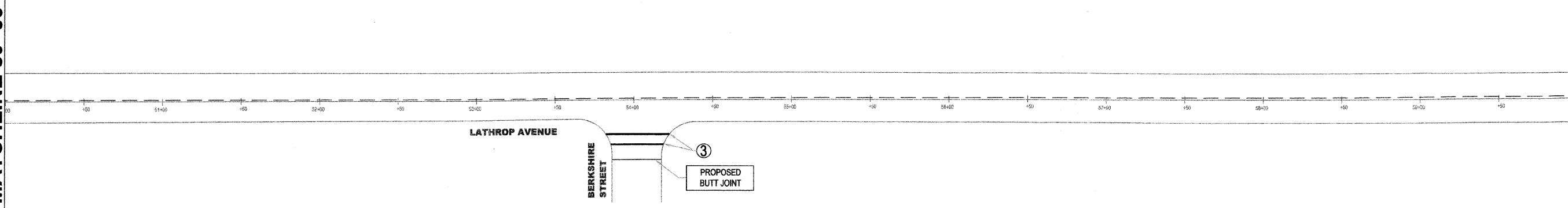


MATCHLINE 40+00



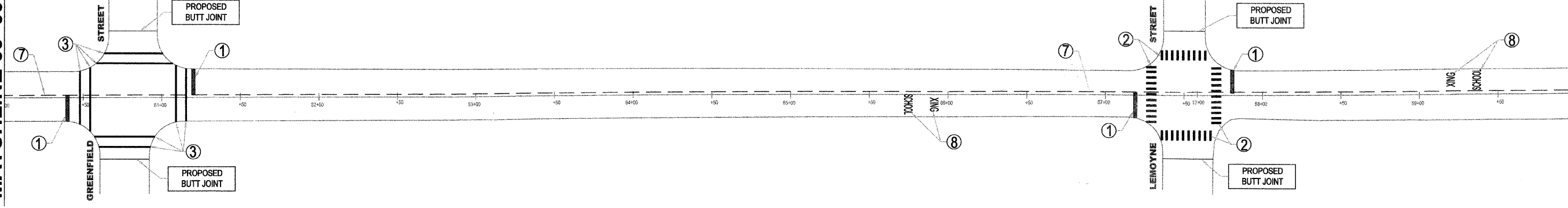
MATCHLINE 50+00

MATCHLINE 50+00



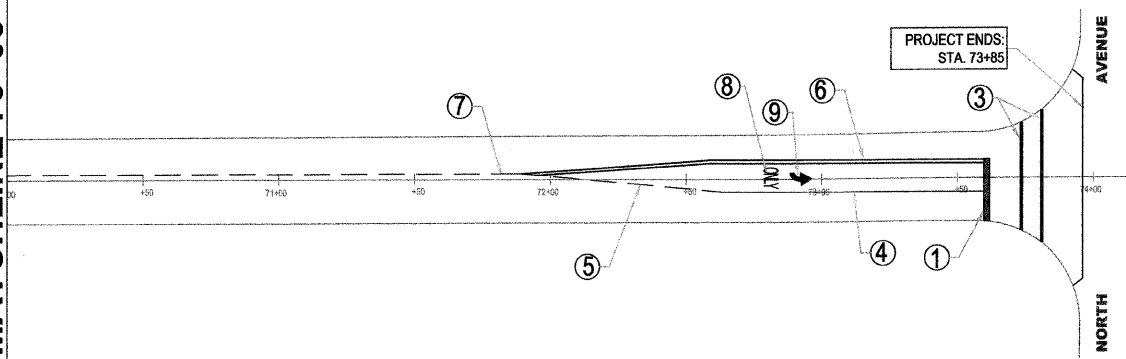
MATCHLINE 60+00

MATCHLINE 60+00



MATCHLINE 70+00

MATCHLINE 70+00



**LEGEND:**

- ① THERMOPLASTIC PAVEMENT MARKING, 24" SOLID WHITE LINE, STOP BAR (TYP)
- ② THERMOPLASTIC PAVEMENT MARKING, 12" SOLID WHITE LINE, PEDESTRIAN CROSSING BAR (TYP)
- ③ THERMOPLASTIC PAVEMENT MARKING, 6" SOLID WHITE, PEDESTRIAN CROSSING LINE
- ④ THERMOPLASTIC PAVEMENT MARKING, 4" SOLID WHITE LANE LINE, (TYP)
- ⑤ THERMOPLASTIC PAVEMENT MARKING, 4" SKIP WHITE LANE LINE, (10'DASH, 30'SKIP) (TYP)
- ⑥ THERMOPLASTIC PAVEMENT MARKING, 4" SOLID YELLOW LANE LINE, (TYP)
- ⑦ THERMOPLASTIC PAVEMENT MARKING, 4" SKIP YELLOW DASH LANE LINE, (10' DASH, 30' SKIP) (TYP)
- ⑧ THERMOPLASTIC LETTERS, WHITE "SCHOOL XING" OR "ONLY"
- ⑨ THERMOPLASTIC SYMBOL, WHITE ONLY ARROW

REVISIONS					
DATE	BY	DESCRIPTION	DATE	BY	DESCRIPTION

DESIGNED:	GC
DRAFTED:	GC
CHECKED:	GWK
APPROVED:	GWK
DATE:	11/17/08

**VILLAGE OF RIVER FOREST  
ENGINEERING DEPARTMENT  
400 PARK AVE.  
RIVER FOREST, IL 60305  
(708) 366-8500**

TITLE:  
LATHROP AVENUE  
RESURFACING IMPROVEMENTS  
PAVEMENT MARKING PLAN  
SECTION NO: 08-00088-00-RS



SCALE:	1" = 50'
DATE:	11/17/2008
PROJ. NO:	4065
SHEET:	13 of 17