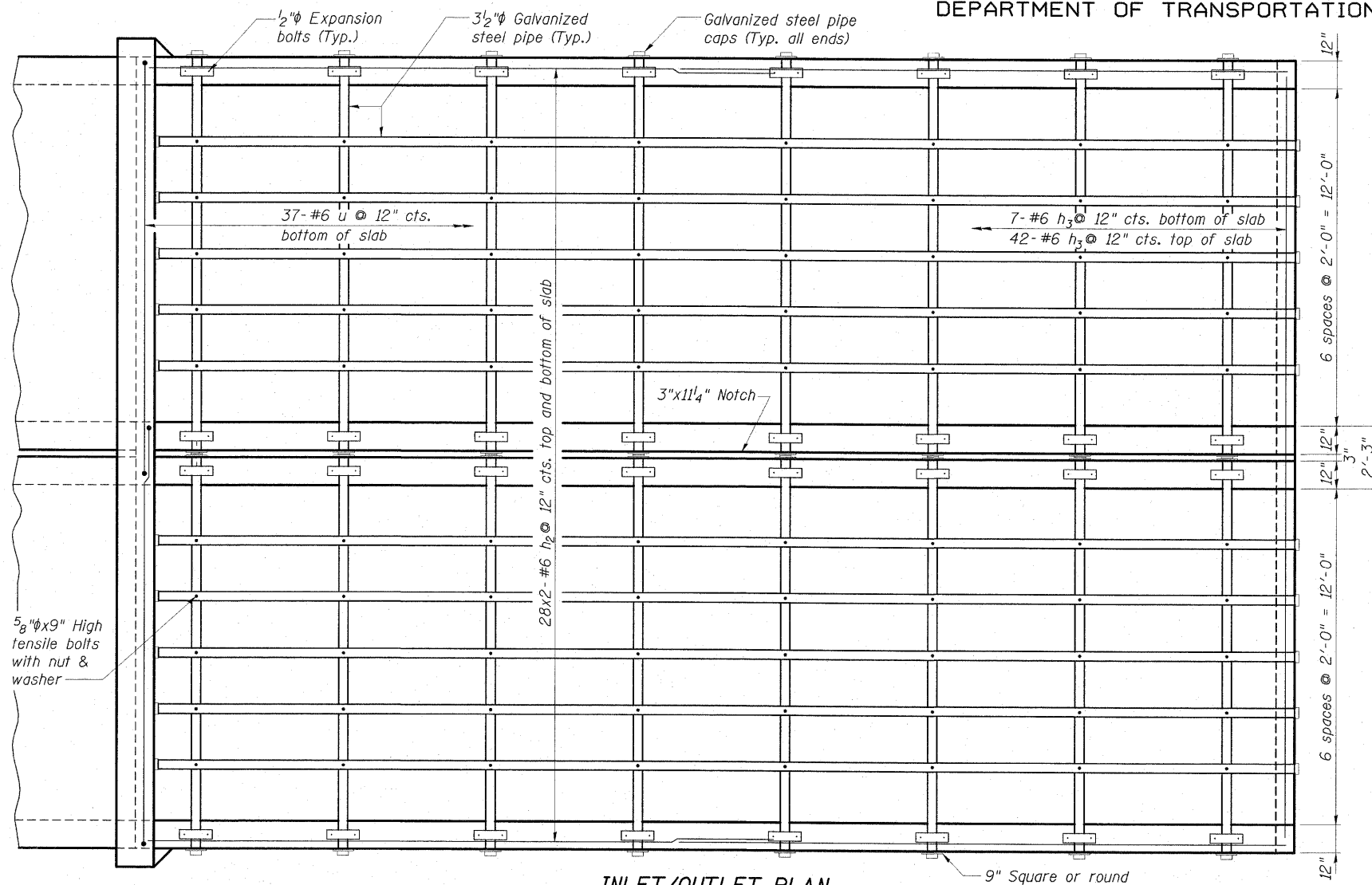
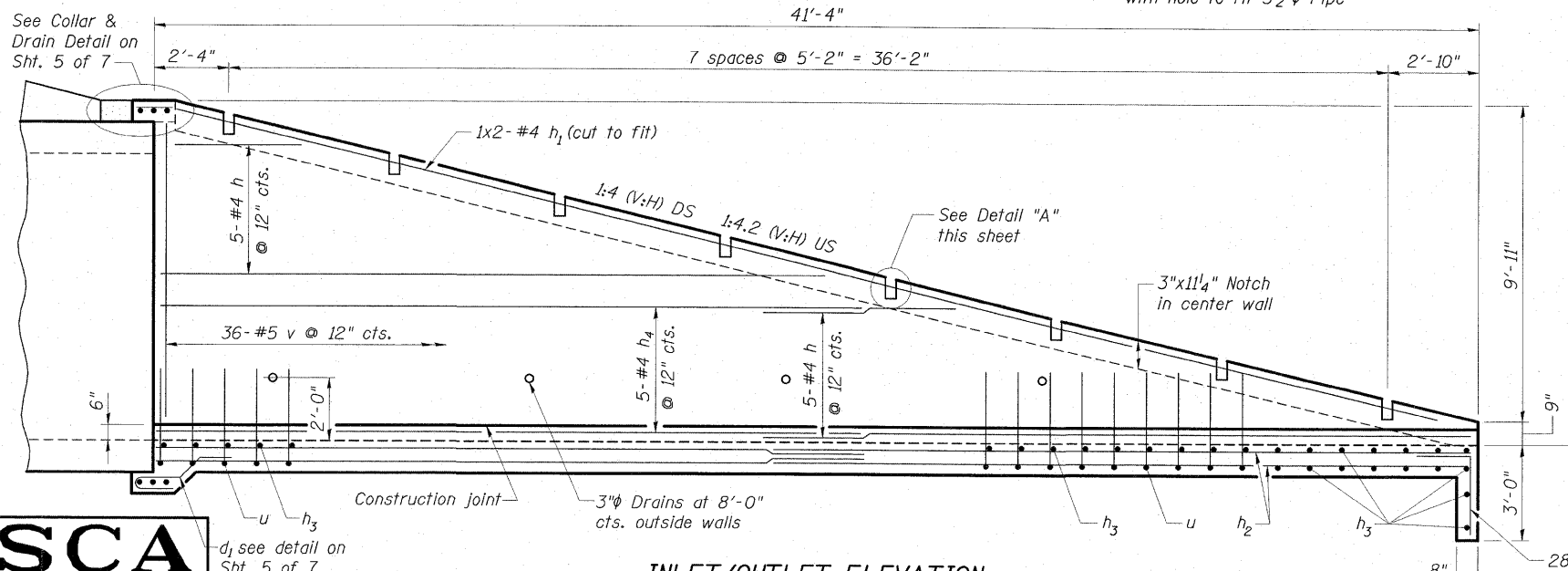


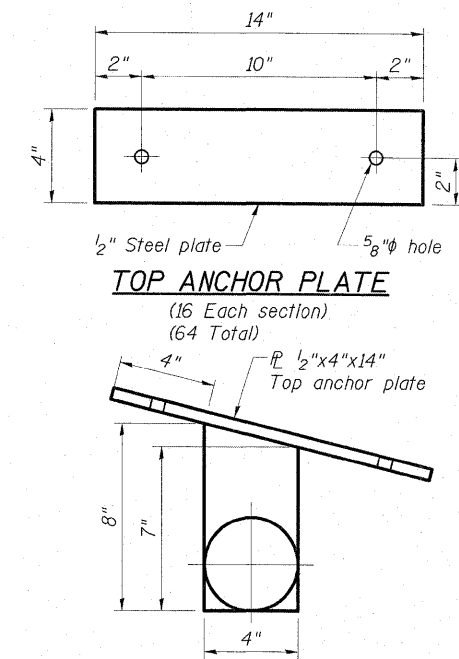
STATE OF ILLINOIS  
DEPARTMENT OF TRANSPORTATION



**INLET/OUTLET PLAN**  
(1 End section each end, 2 total)  
41'-4"



**INLET/OUTLET ELEVATION**  
(1 End section each end, 2 total;  
Reinforcement shown for end walls  
and each face of center wall)

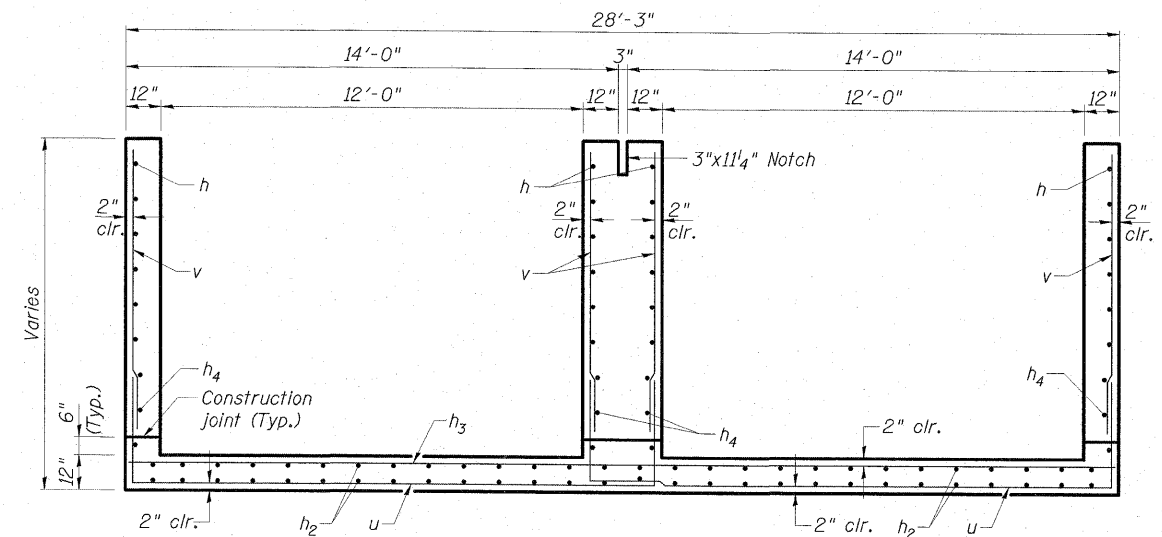


**TOP ANCHOR PLATE**  
(16 Each section)  
(64 Total)

**DETAIL "A"**

**GENERAL NOTES**

1. Steel pipes shall conform to ASTM A-53 (type E or S) grade B, schedule 40, & shall be galvanized conforming to ASTM A-120.
2. Steel plates shall conform to AASHTO M-183 & shall be galvanized conforming to AASHTO M-111.
3. Bolts, nuts and washers shall be in accordance with article 1006.08 of the standard specifications and shall be galvanized.
4. The contract unit price "each" for Box Culvert End Section shall include the reinforcement bars and class SI concrete. The contract unit price "each" for Grating (Special) shall include the galvanized pipes, bolts, nuts, washers, and steel plates.
5. Provide 2" clearance for all bars unless noted otherwise.
6. Make adjustments as necessary to match the dimensions of the precast concrete box culverts.
7. Order v and h bars full length, field cut to fit as shown, use remainder of v bars in another wall, and use remainder of h bars in same wall.



**SECTION THRU INLET/OUTLET**

**ESCA**  
CONSULTANTS, INC.

DESIGNED BY: DAJ 11/08  
DRAWN BY: cj 11/08  
CHECKED BY: ELH 03/09  
APPROVED BY: RDP 03/09

**BOX CULVERT DETAILS  
STRUCTURE NO. 037-0172**

SHEET NO. 4  7 SHEETS	F.A.P. RTE.	SECTION	COUNTY	TOTAL SHEETS	SHEET NO.
	638	136BR-1	HENRY	67	43
CONTRACT NO. 64428					
FED. ROAD DIST. NO.		ILLINOIS	FED. AID PROJECT		