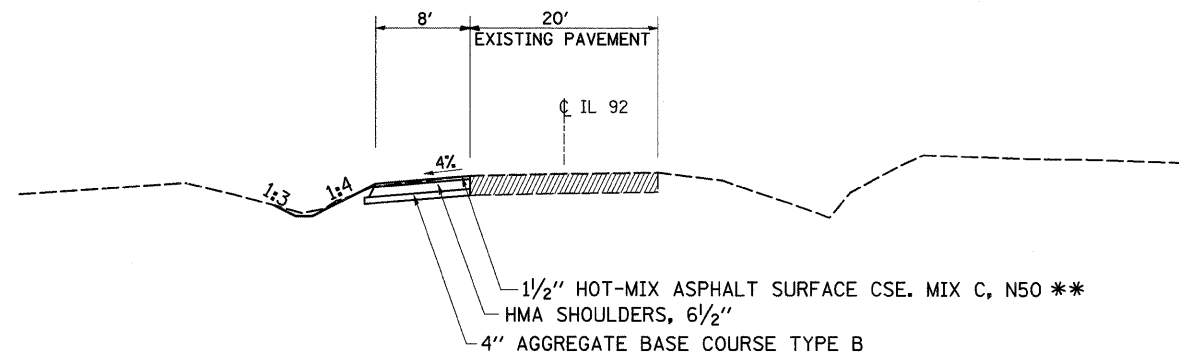
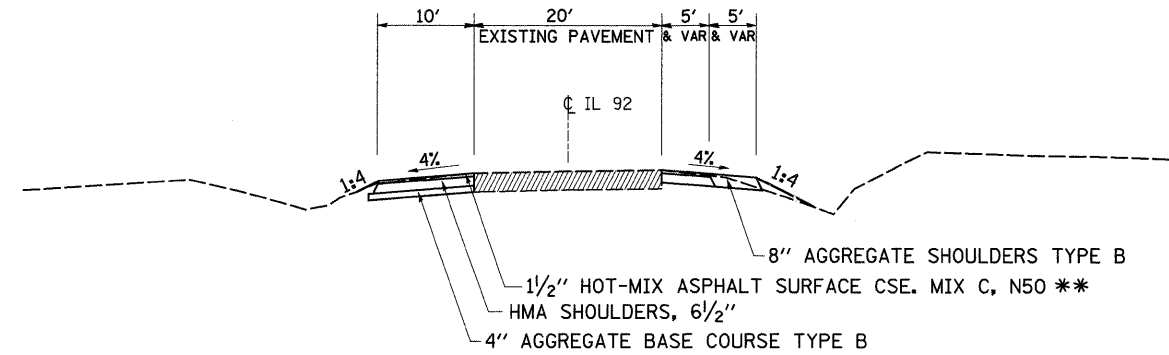


TYPICAL SECTIONS

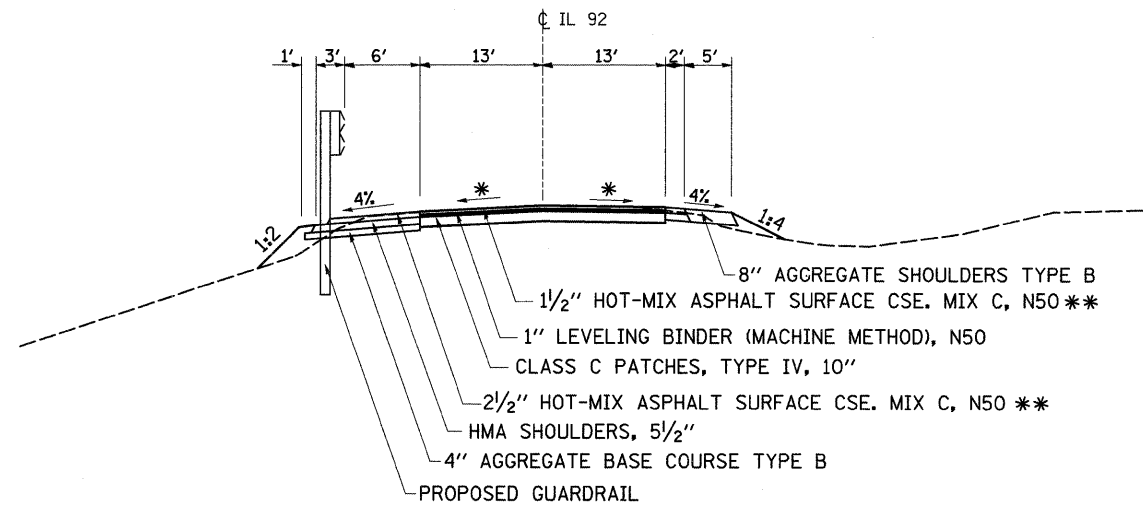
STA. 993+75 TO STA. 994+47



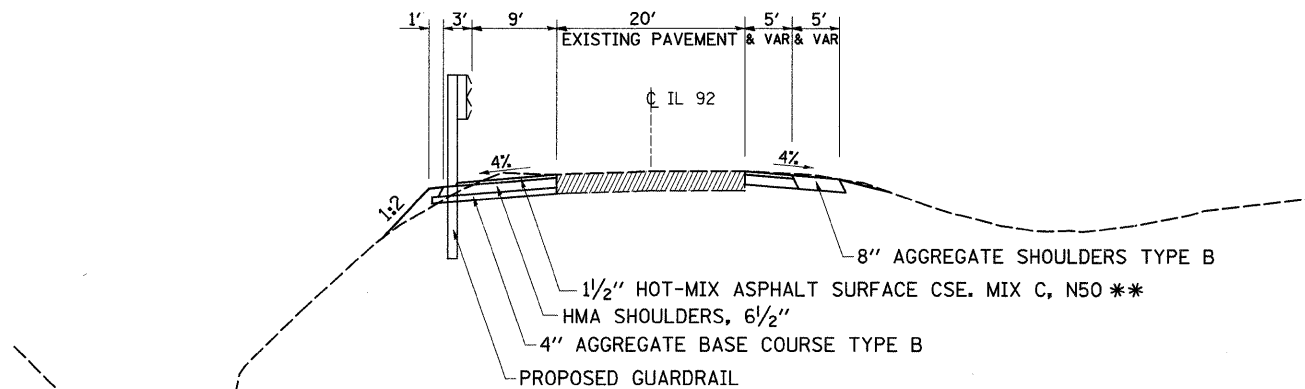
STA. 994+47 TO STA. 995+67



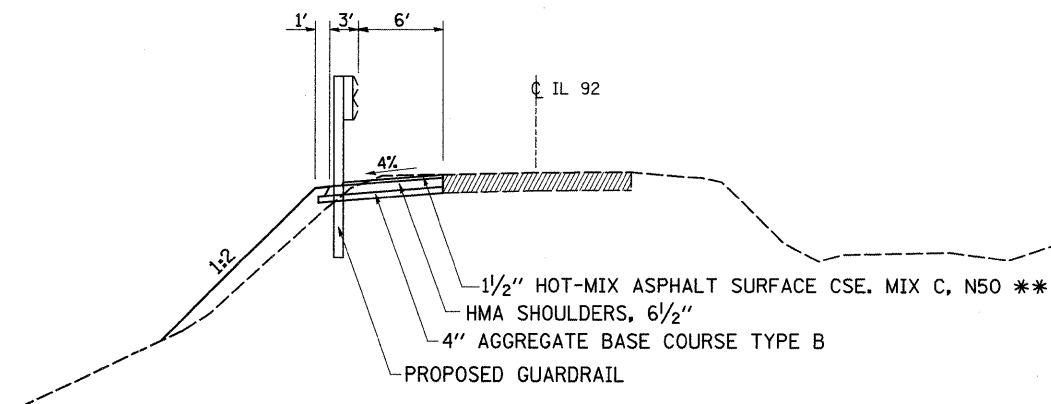
STA. 995+67 TO STA. 997+02



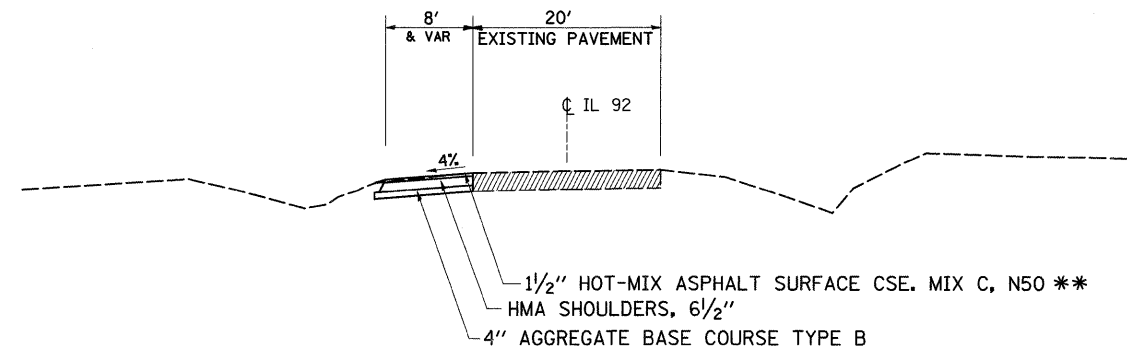
STA. 997+02 TO STA. 997+59



STA. 997+59 TO STA. 998+43.50



STA. 998+43.50 TO STA. 999+20



* MATCH EXISTING MAINLINE SLOPE
** 112 LB/SQ YD IN

FILE NAME =	USER NAME = hensonke	DESIGNED -	REVISED -
c:\pwork\pwork\hensonke\dms34329\di001.tpdgn		DRAWN -	REVISED -
PLOT SCALE = 50.0000' / IN.		CHECKED -	REVISED -
PLOT DATE = Wed Dec 03 14:27:21 2008		DATE -	REVISED -

STATE OF ILLINOIS
DEPARTMENT OF TRANSPORTATION

TYPICAL SECTIONS

SCALE: SHEET NO. OF SHEETS STA. TO STA.

F.A.P. RTE.	SECTION	COUNTY	TOTAL SHEETS	SHEET NO.
599	103MFT-T	ROCK ISLAND	55	8
CONTRACT NO. 64737				
FED. ROAD DIST. NO.		ILLINOIS FED. AID PROJECT		