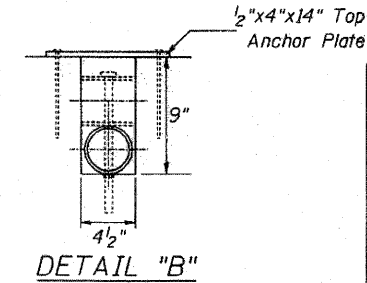
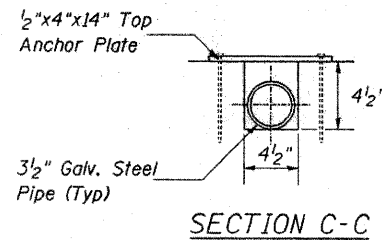
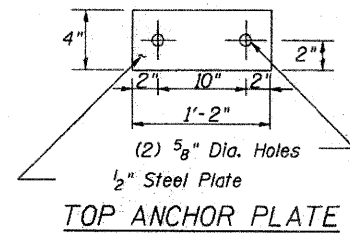
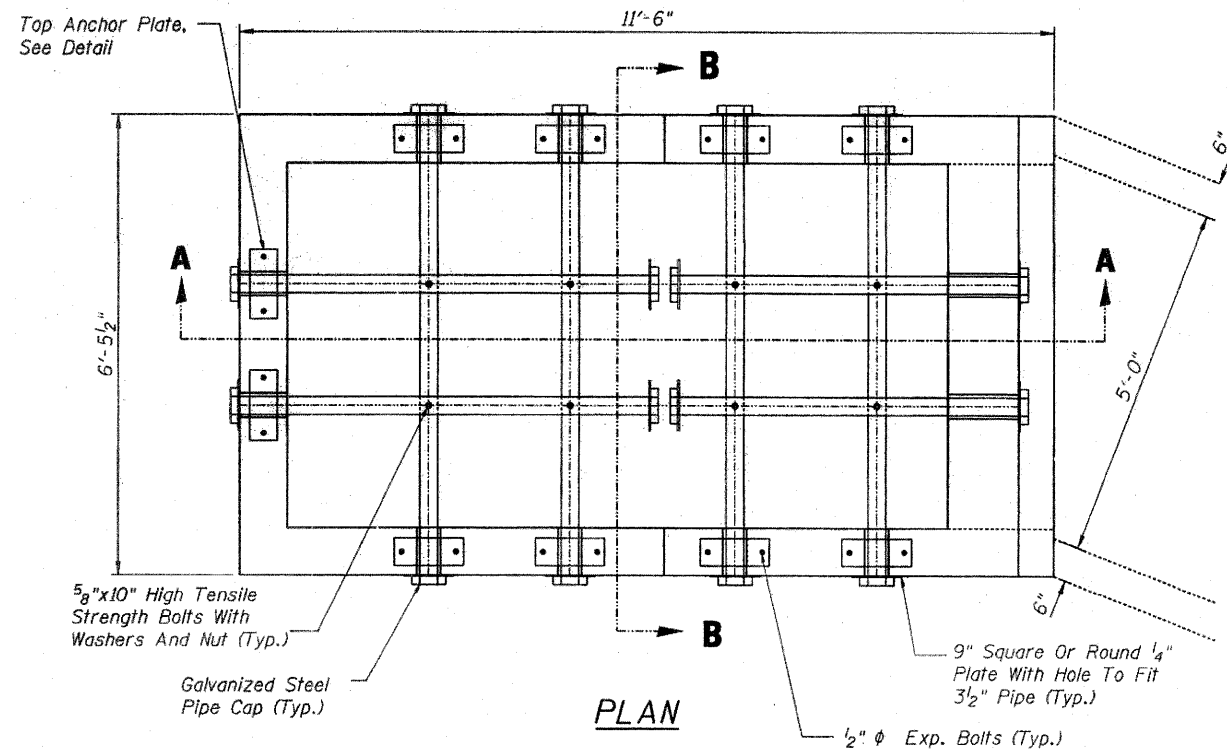
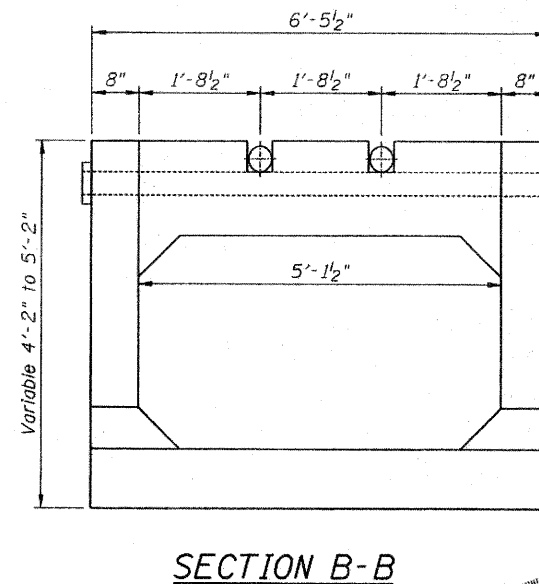
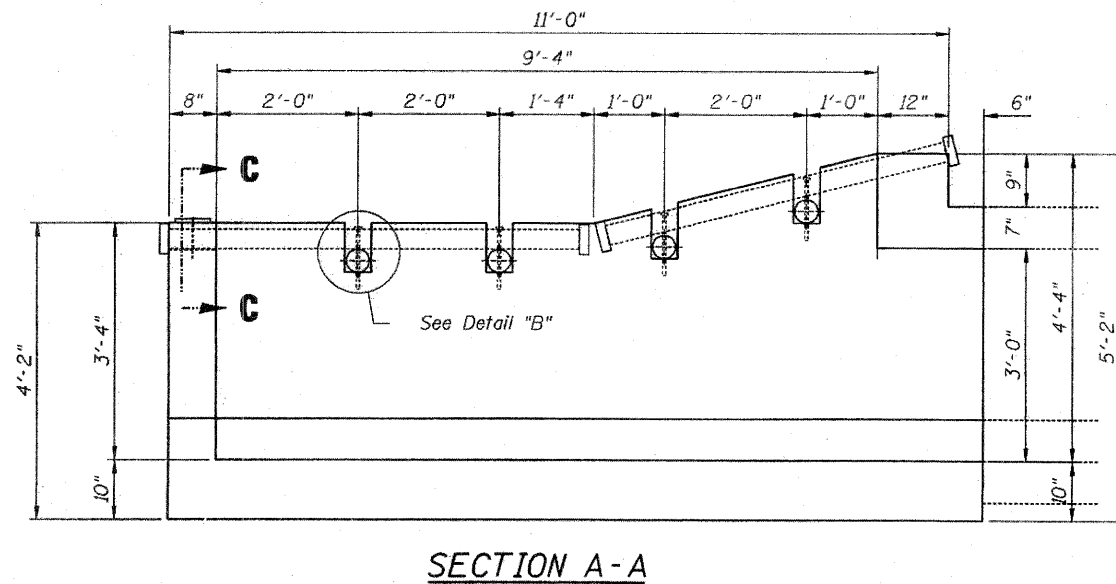


STATE OF ILLINOIS  
DEPARTMENT OF TRANSPORTATION



**BILL OF MATERIAL**

DESCRIPTION	UNIT	QTY
5/8" X 10" Galv. Steel Bolts	Each	8
3 1/2" Galv. Steel Pipe	Ø4	6'-10"
3 1/2" Galv. Steel Pipe	Ø2	6'-0"
3 1/2" Galv. Steel Pipe	Ø2	5'-4"
3 1/2" Galv. Pipe Caps	Each	16
1/2" X 4" X 14" Galv. Plate	Each	10
1/4" Galv. Steel Plate (9" Nominal)	Each	12



**GENERAL NOTES**

This work shall be done according to the applicable portions of Sections 503, 508, and 542 of the Standard Specifications.

The contract unit price "each" for DROP BOX NO. 1 shall include the Expansion Bolts, Galvanized Pipe, Class SI Concrete, Reinforcement, Bolts, Nuts, Washers, Steel Plates, earth excavation where required, and necessary grading to fit the inlet as shown in the cross sections or to the slope

Steel Plates Shall Conform To AASHTO M-183 And Shall Be Galvanized conforming to AASHTO M-111.

Bolts, Nuts, and Washers shall be in accordance with Article 1006.08 of the Standard Specifications and shall be galvanized.

Contractor shall field verify Galvanized pipe length.

DESIGNED - JLA
CHECKED - SB
DRAWN - AJP
CHECKED - JLA

**KUDRNA & ASSOCIATES, LTD.**  
203 North Cass Avenue  
Westmont, Illinois 60559  
Phone (630)969-3060  
Fax (630)969-3122  
www.kudrna.com

400 South Green Street - Suite 304  
Chicago, Illinois 60607  
Phone (312)738-1522  
Fax (312)738-9792

CIVIL ENGINEERING • PLANNING • DESIGN • LAND SURVEY • CONSTRUCTION MANAGEMENT



Jennifer L. Anderson, S.E., P.E.  
LICENSE NO: 081-005858  
EXPIRES: 11/2008

**DROP BOX NO. 1  
STATION 1201+61.08  
GRATING DETAILS**

SHEET NO. 5 10 SHEETS	F.A.P. RTE. 316	SECTION 2T	COUNTY OGLE	TOTAL SHEETS 48	SHEET NO. 27
	D-92-003-03			CONTRACT NO. 64851	
FED. ROAD DIST. NO. - ILLINOIS FED. AID PROJECT					