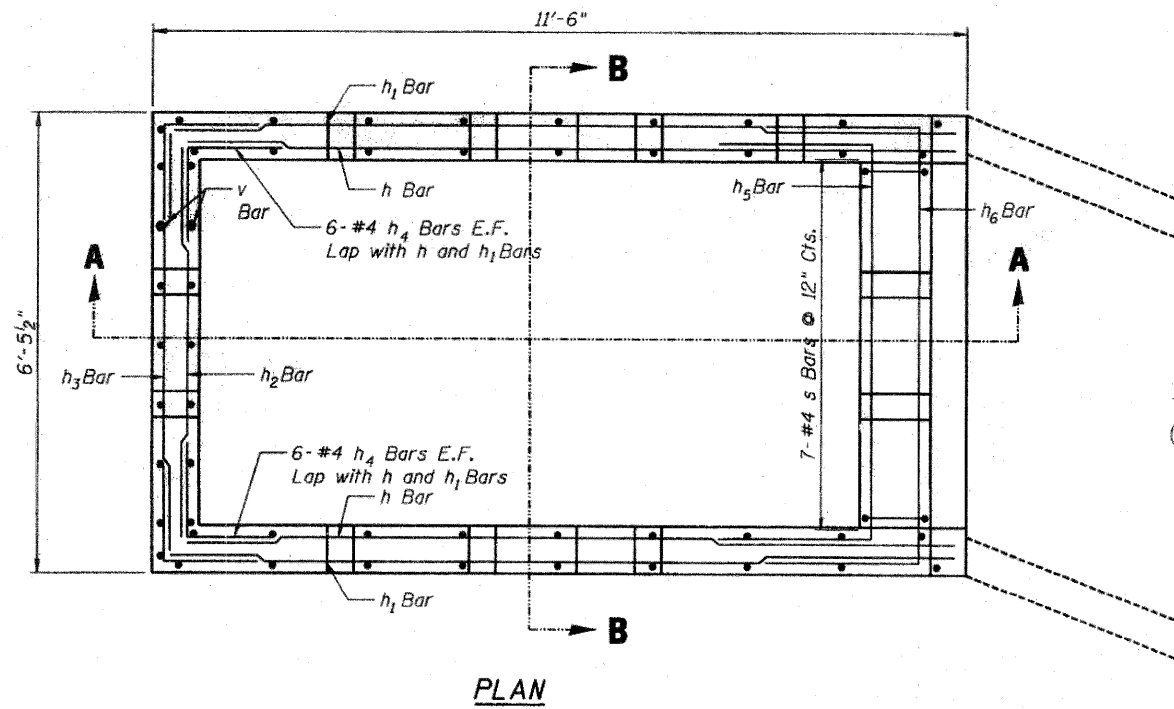
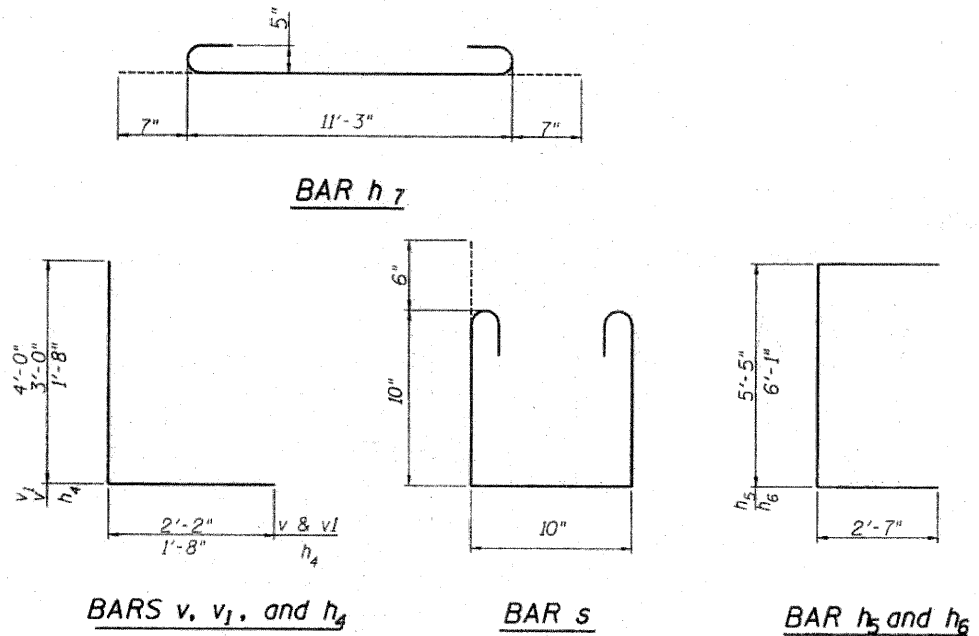


STATE OF ILLINOIS
DEPARTMENT OF TRANSPORTATION

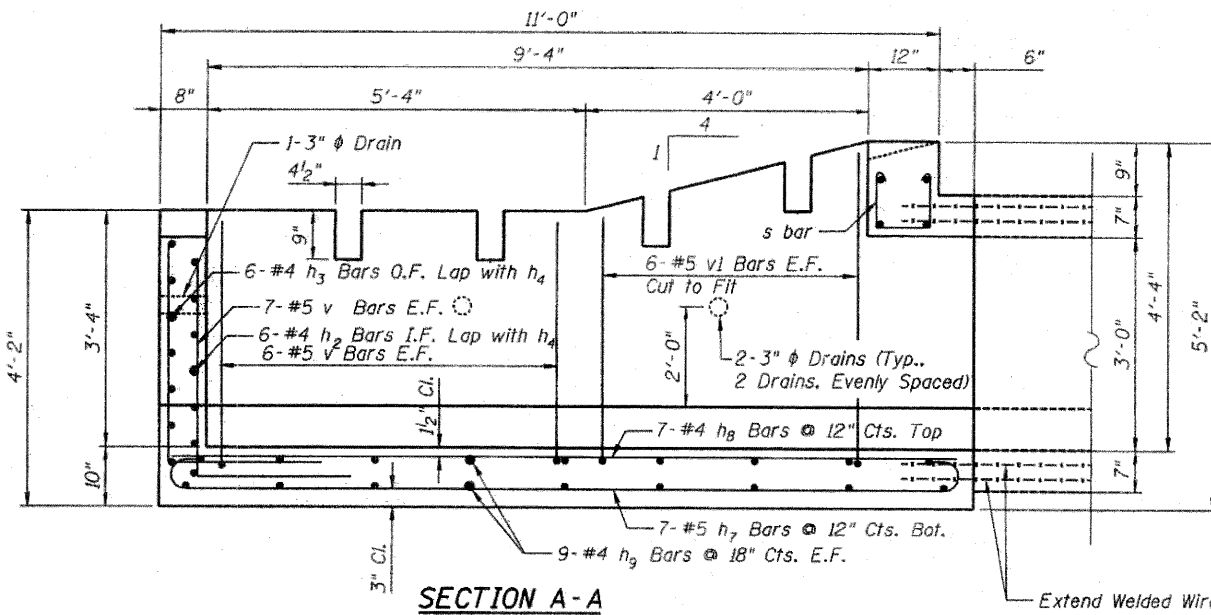


PLAN



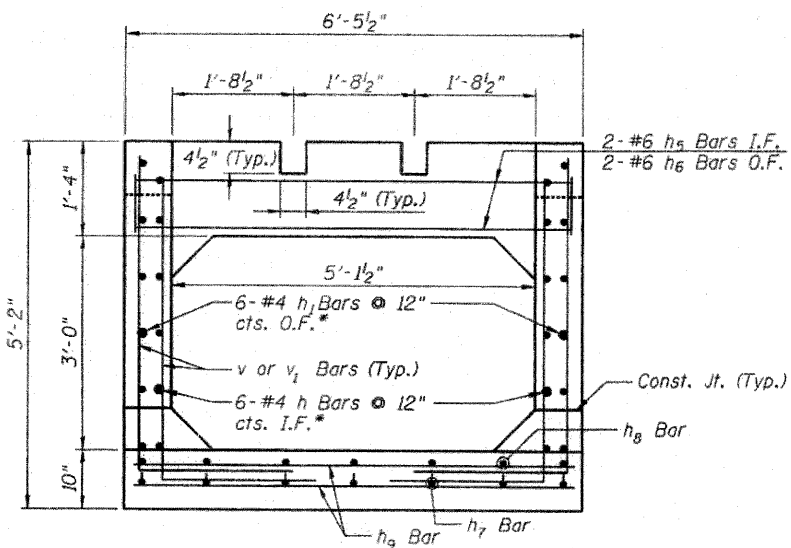
BILL OF MATERIAL
(For information only)

Bar	No.	Size	Length	Shape
h	12	#4	9'-7"	—
h1	12	#4	11'-3"	—
h2	6	#4	5'-5"	—
h3	6	#4	6'-1"	—
h4	24	#4	3'-4"	—
h5	2	#6	10'-7"	U
h6	2	#6	11'-3"	U
h7	7	#5	12'-5"	U
h8	7	#4	11'-3"	—
h9	18	#4	6'-2"	—
s	7	#4	3'-6"	U
v	38	#5	5'-2"	—
v1	24	#5	6'-2"	—
Concrete Structures			Cu. Yd.	5.2
Reinforcement Bars, Epoxy Coated			Pound	930



SECTION A-A

Extend Welded Wire Fabric out of Precast Culvert Section 1'-4" Lap with drop box reinforcement (Typ.)



SECTION B-B

*Bend in field and cut to miss grate openings.

GENERAL NOTES

Reinforcement bars shall conform to the requirements of ASTM A706 Gr. 60 (IL Modified) See Special Provisions.

The contractor shall be responsible for diverting the water flow from the construction area using a method meeting the approval of the Engineer. Cost included with "Drop Box No. 1".

Drain holes shall be constructed in accordance with Article 503.11 of the Standard Specifications.

For details of galvanized steel pipe grate see sheet 5.

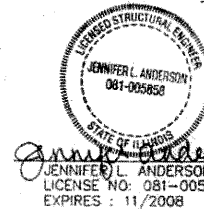
**DROP BOX NO. 1
STATION 1201+61.08
REINFORCEMENT DETAILS**

DESIGNED	JLA
CHECKED	SB
DRAWN	AJP
CHECKED	JLA

KUDRNA & ASSOCIATES, LTD.
400 South Green Street - Suite 304
Chicago, Illinois 60607
Phone (312)738-1522
Fax (312)738-9792
203 North Cass Avenue
Westmont, Illinois 60559
Phone (630)969-3060
Fax (630)969-3122
www.kudrna.com
CIVIL ENGINEERING • PLANNING • DESIGN • LAND SURVEY • CONSTRUCTION MANAGEMENT

LEGEND

Bot. Bottom
E.F. Each Face
I.F. Inside Face
O.F. Outside Face



SHEET NO. 6 10 SHEETS	F.A.P. RTE.	SECTION	COUNTY	TOTAL SHEETS	SHEET NO.
	316	2T	OGLE	48	28
		D-92-003-03	CONTRACT NO. 64851		
		FED. ROAD DIST. NO.	ILLINOIS	FED. AID PROJECT	