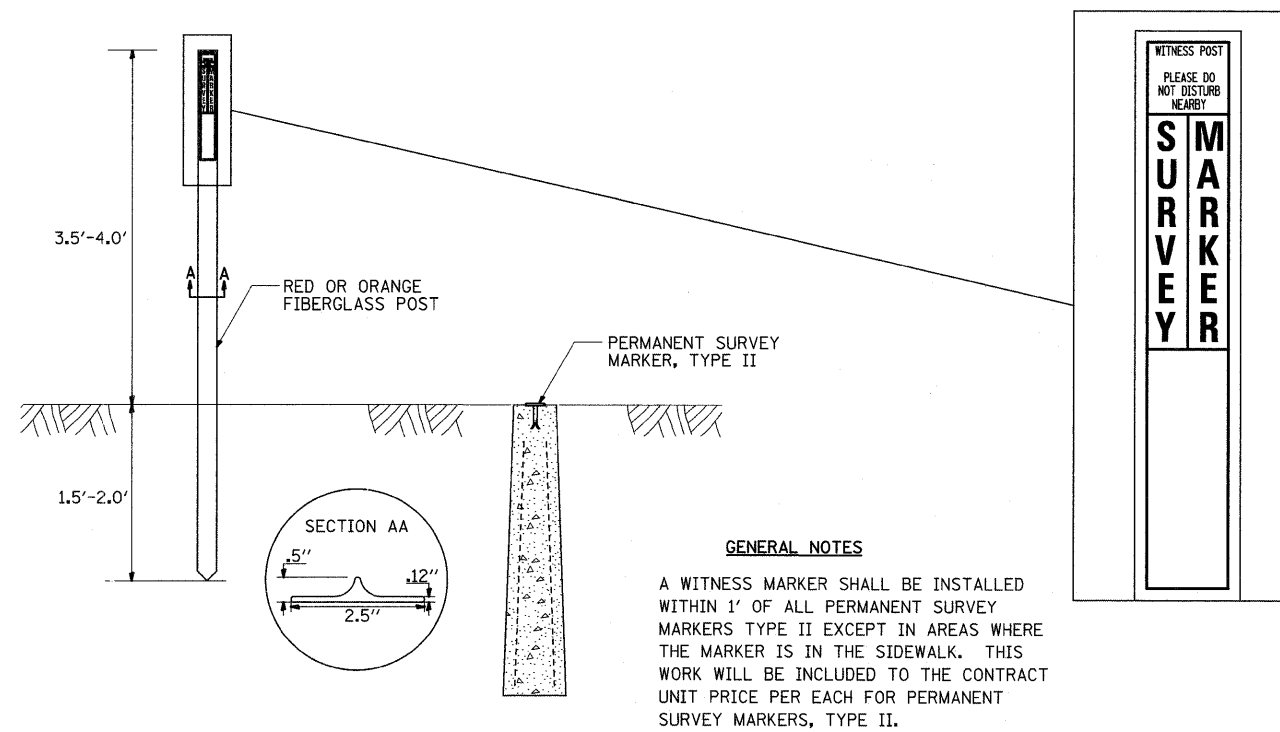
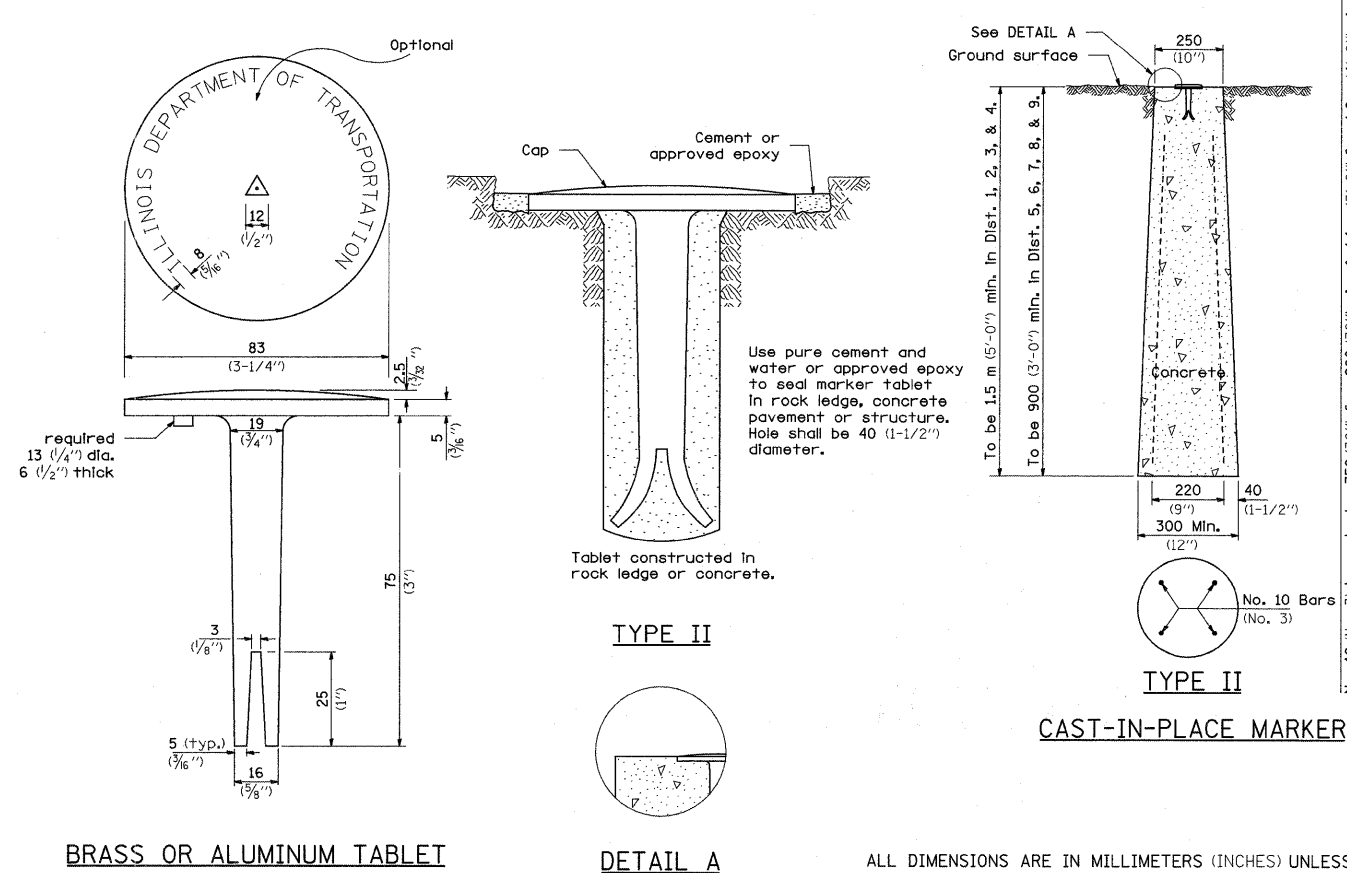


WITNESS MARKER FOR PERMANENT SURVEY MARKERS, TYPE II



PERMANENT SURVEY MARKERS, TYPE II



ALL DIMENSIONS ARE IN MILLIMETERS (INCHES) UNLESS OTHERWISE NOTED.

REVISED - 10-21-08

No. 10 (No. 3) bars to be 750 (30") for 900 (36") min. & 1.1 m (3'-6") for 1.2 m (4'-0") min.

REVISED -	REGION 2 / DISTRICT 2 STANDARD	F.A.P. RTE.	SECTION	COUNTY	TOTAL SHEETS	SHEET NO.
REVISED -		316	2T	OGLE	48	38
REVISED -		CONTRACT NO. 64851				
REVISED -		SCALE: 50.0000' / IN	SHEET NO.	OF SHEETS	STA.	TO STA.