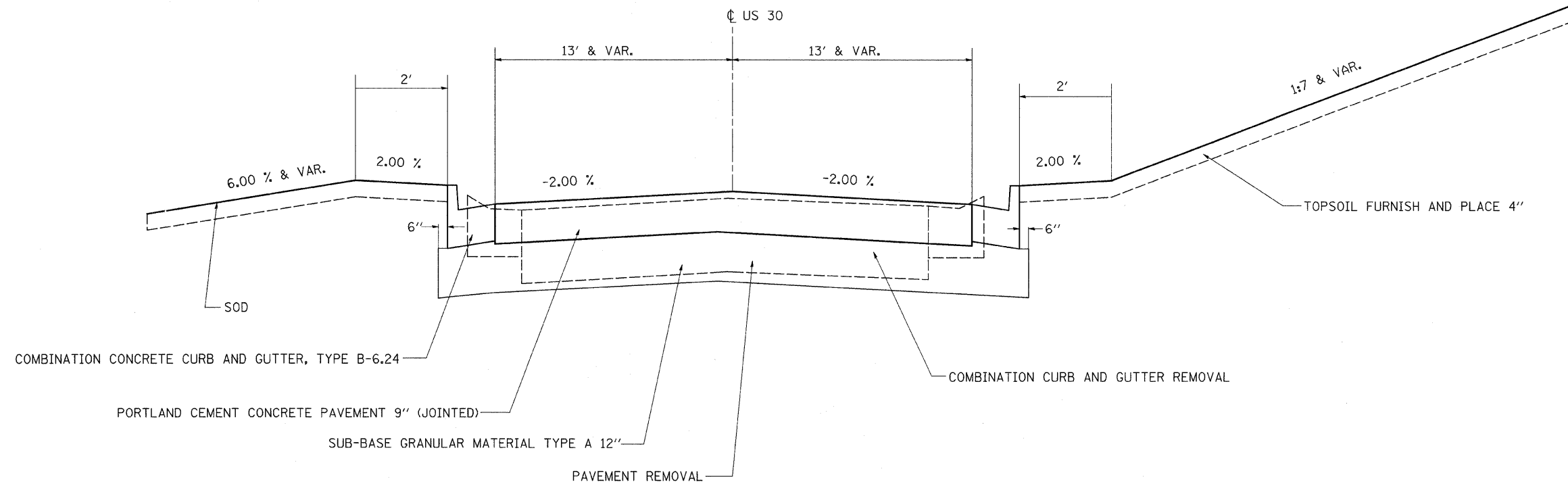


**MILNES DR  
STA 160+13.01 TO STA 160+85.00**



FILE NAME =	USER NAME = ditzlerse	DESIGNED -	REVISED -	<b>STATE OF ILLINOIS DEPARTMENT OF TRANSPORTATION</b>	<b>TYPICAL SECTIONS</b>			F.A.P. RTE.	SECTION	COUNTY	TOTAL SHEETS	SHEET NO.
c:\pw_work\pwsdot\ditzlerse\dms34552\sl3805typ.dgn	DRAWN -	REVISED -	309					(17R)B	WHITESIDE	376	12	
PLOT SCALE = 50.0000' / IN.	CHECKED -	REVISED -	CONTRACT NO. 64B74									
PLOT DATE = Fri Mar 13 08:49:29 2009	DATE -	REVISED -	ILLINOIS FED. AID PROJECT									
				SCALE:	SHEET NO.	OF	SHEETS	STA.	TO STA.			