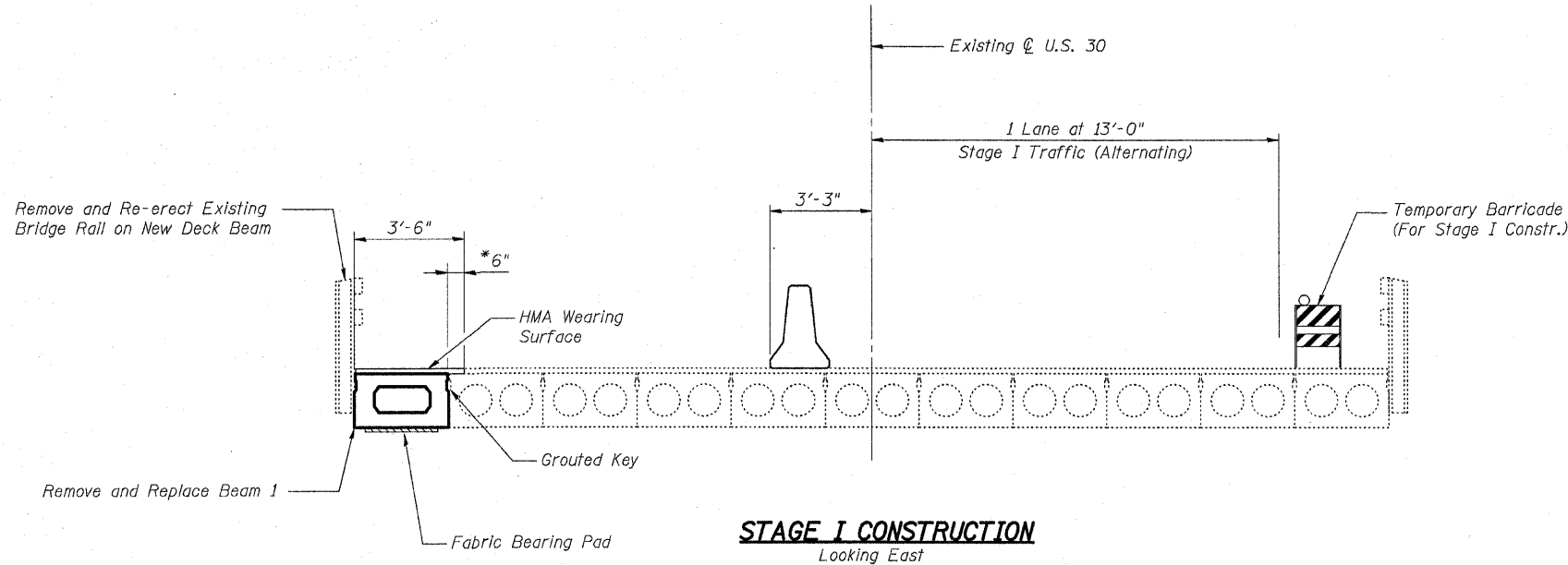


STATE OF ILLINOIS
DEPARTMENT OF TRANSPORTATION

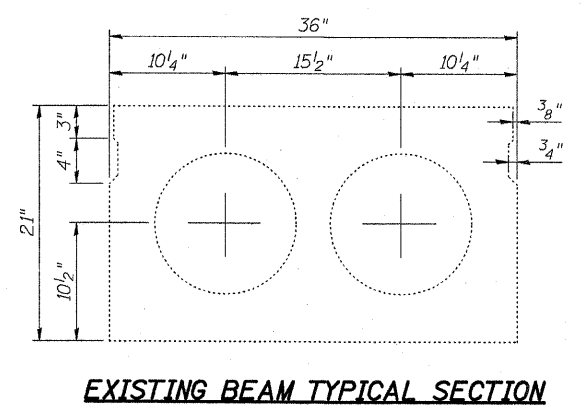
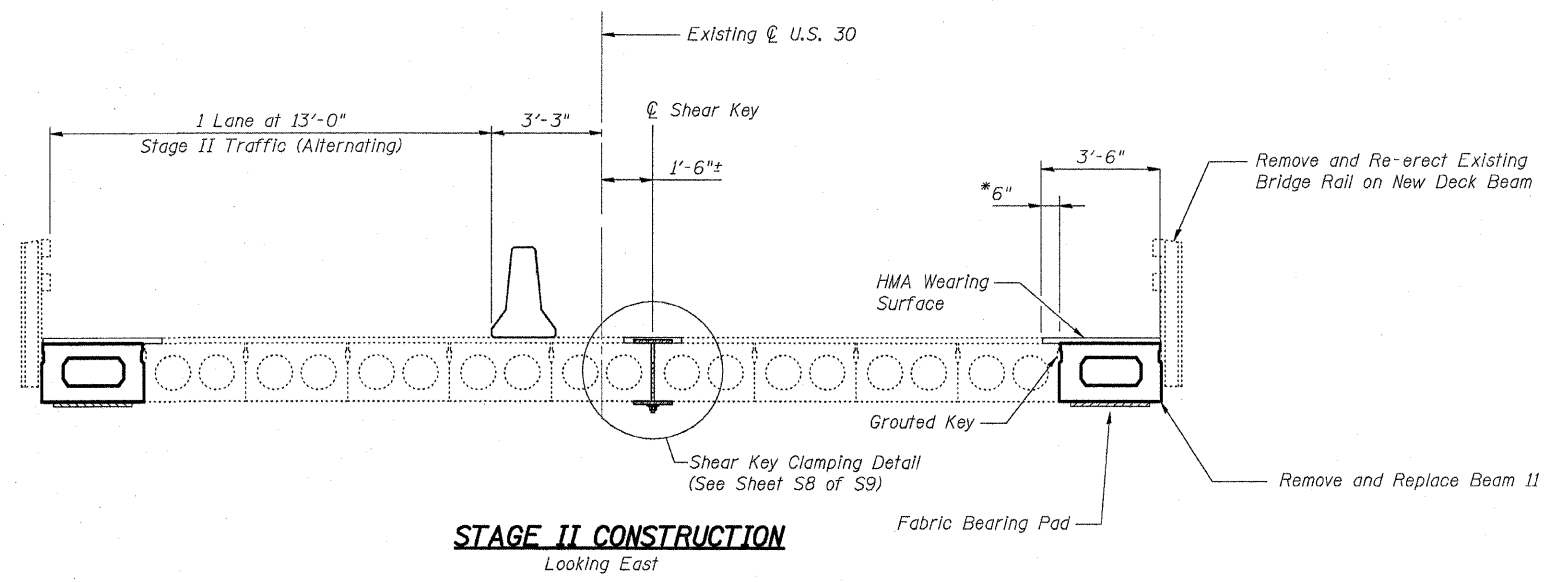
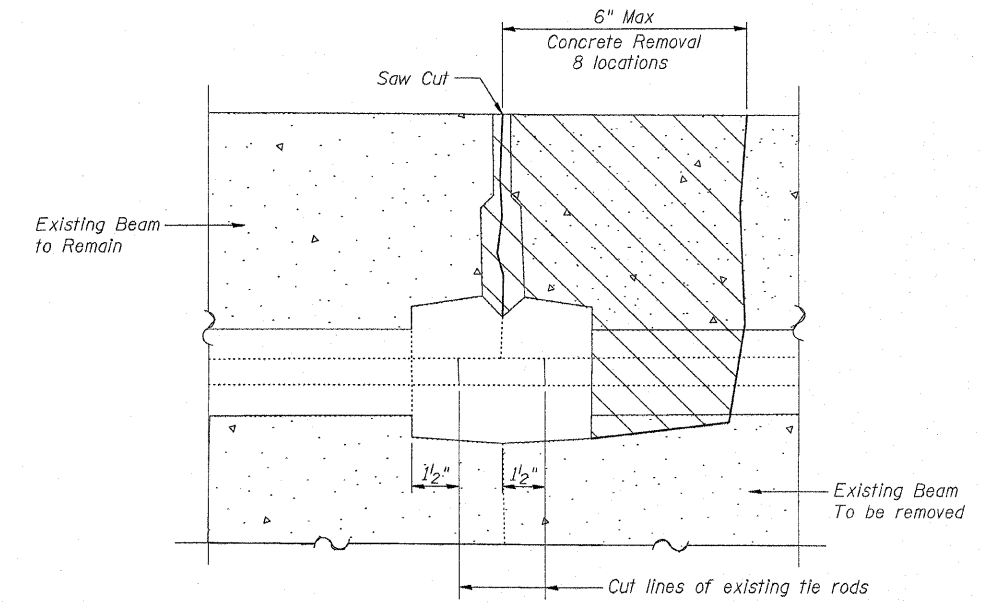
Sheet R3 of R9

F.A.P. RTE.	SECTION	COUNTY	TOTAL SHEETS	SHEET NO.
309	17B-1	WHITESIDE	376	44
FED. ROAD DIST. NO. 2 ILLINOIS FED. AID PROJECT				

Contract #64B74



* Limits of HMA Surface Removal.



CONSTRUCTION STAGING
U.S. RTE. 30/IL RTE. 78 OVER ROCK CREEK
F.A.P. ROUTE 309, SECTION 17B-1
WHITESIDE COUNTY
STATION 1037+69.16
STRUCTURE NO. 098-0053
DATE: March 10, 2009
DRAWN BY: D. Schettler
CHECKED BY: A. Yargicoglu



g:\yargicoglu\struct\1\3\4\08 PM 2/10/2009
 c:\n\dot\20608.015\work order #10 U.S. 30 repair plans\reviewing\struct\ConstructionStaging.dgn