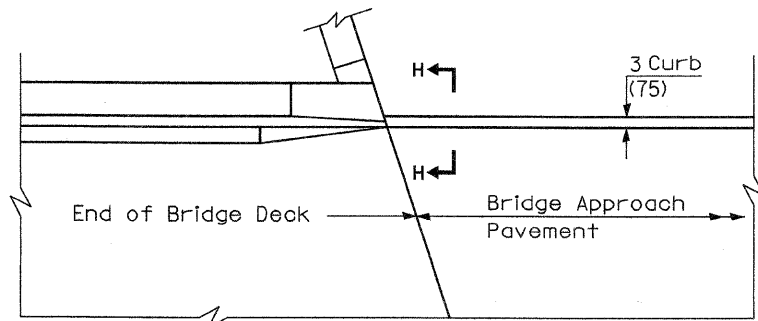
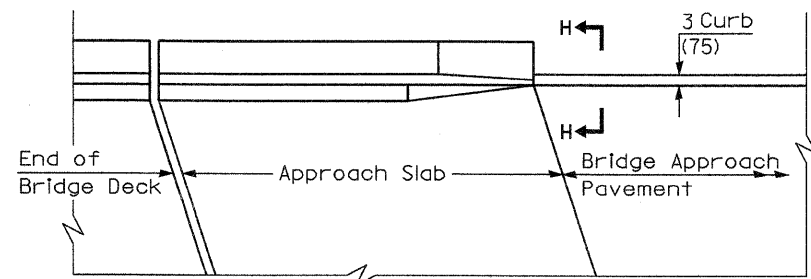


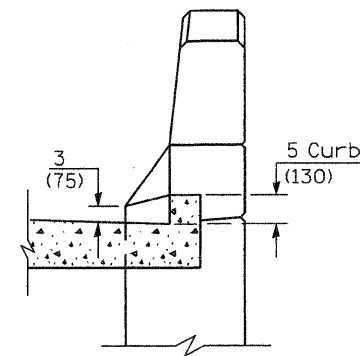
**PARAPET TO CURB TRANSITION
PILE BENT ABUTMENT**



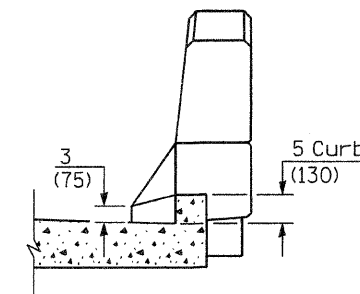
**PARAPET TO CURB TRANSITION
INTEGRAL ABUTMENT**



**PARAPET TO CURB TRANSITION
VAULTED ABUTMENT**



SECTION I - I



SECTION H - H

Illinois Department of Transportation
 APPROVED January 1, 2008
Ralph E. Anderson
 ENGINEER OF BRIDGES AND STRUCTURES
 APPROVED January 1, 2008
Ken E. Han
 ENGINEER OF DESIGN AND ENVIRONMENT

ISSUED
 1-1-07

BRIDGE APPROACH PAVEMENT
 (Sheet 4 of 4)
 SHEET 500
 CONTRACT # 64B74