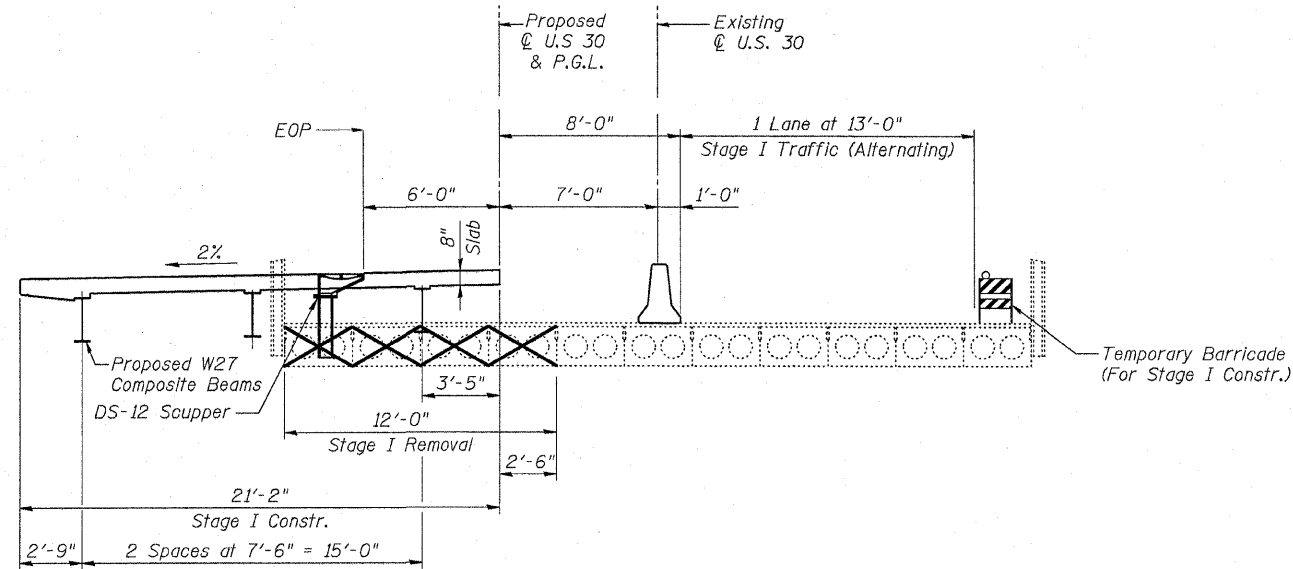


STATE OF ILLINOIS
DEPARTMENT OF TRANSPORTATION

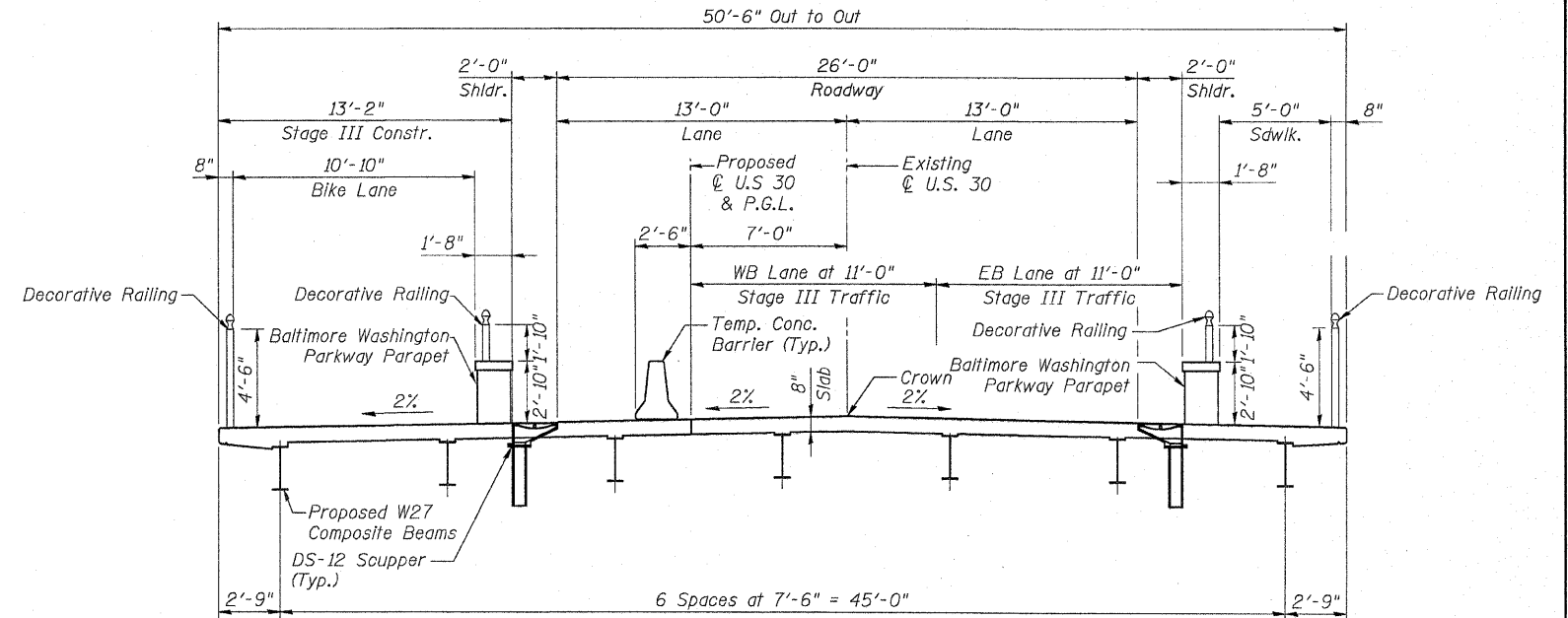
Sheet S3 of S25

F.A.P. FILE NO.	SECTION	COUNTY	TOTAL SHEETS	SHEET NO.
309	(17R)B	WHITESIDE	375	53
FED. ROAD DIST. NO. 2 ILLINOIS FED. AID PROJECT			Contract #64B74	

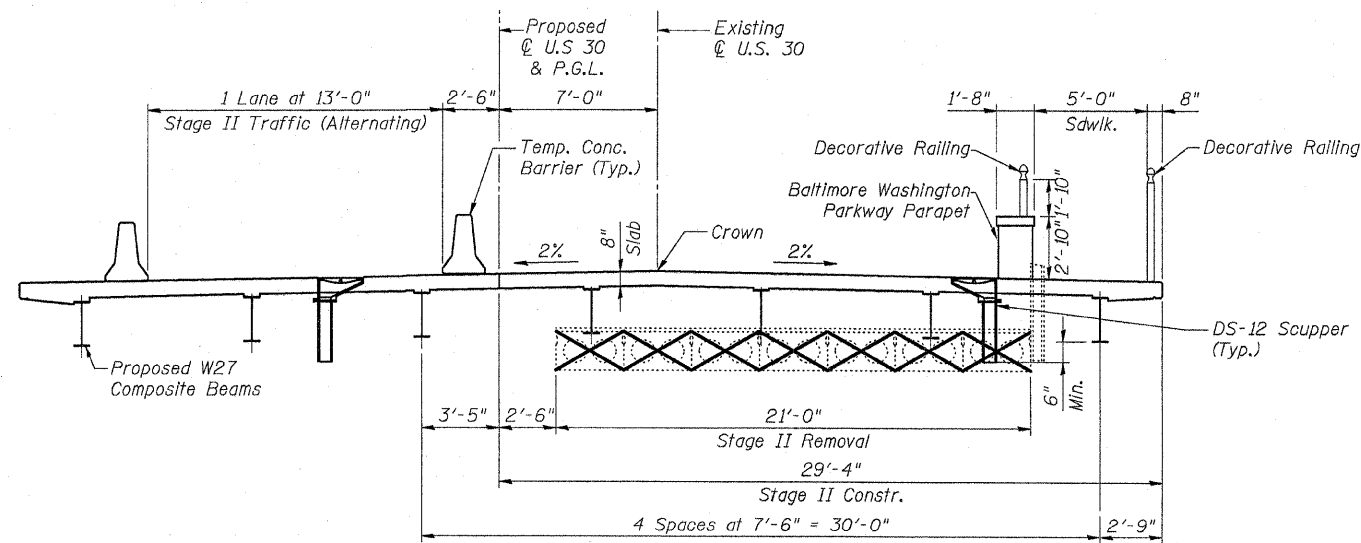
Contract #64B74



STAGE I REMOVAL AND CONSTRUCTION
Looking East



STAGE III CONSTRUCTION AND FINAL CROSS-SECTION
Looking East



STAGE II REMOVAL AND CONSTRUCTION
Looking East

CONSTRUCTION STAGING
U.S. RTE. 30/IL RTE. 78 OVER ROCK CREEK
F.A.P. ROUTE 309, SECTION (17R)B
WHITESIDE COUNTY
STATION 1037+84.35
STRUCTURE NO. 098-0113
DATE: December 18, 2008
DRAWN BY: D. Schettler
CHECKED BY: A. Yarglooglu