

STATE OF ILLINOIS  
DEPARTMENT OF TRANSPORTATION

Sheet S19 of S25

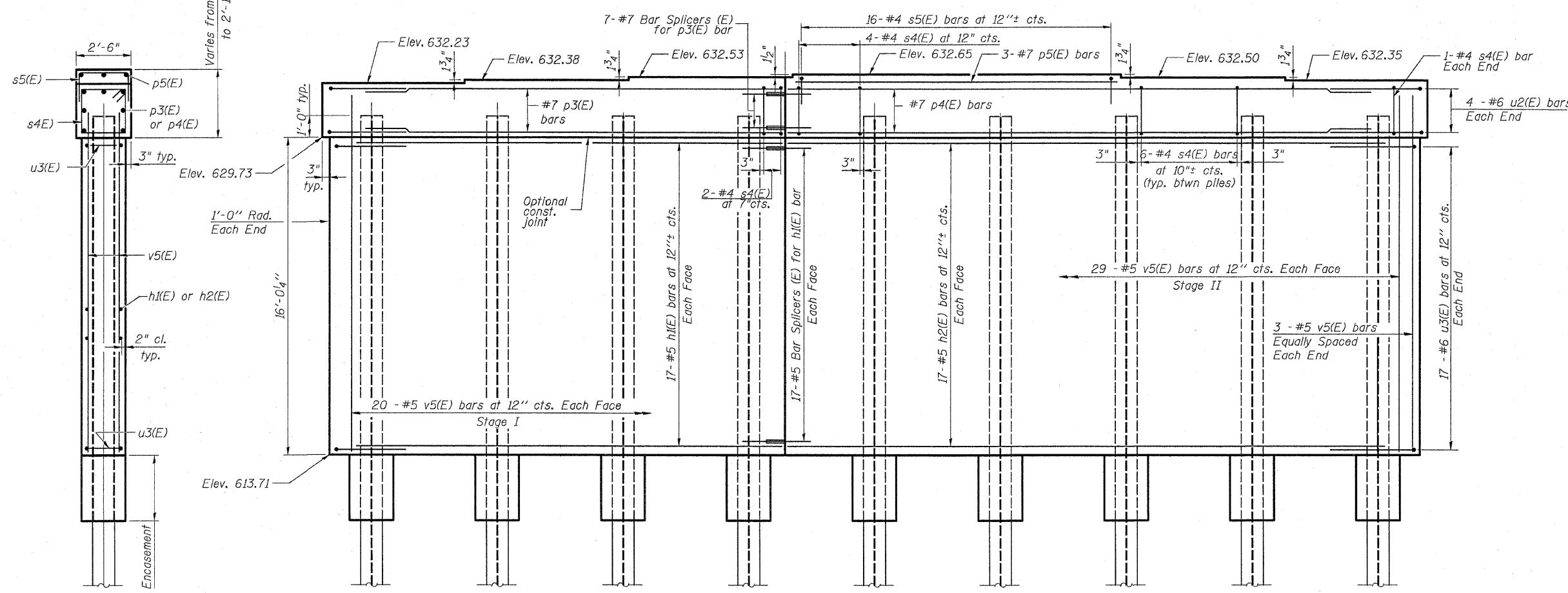
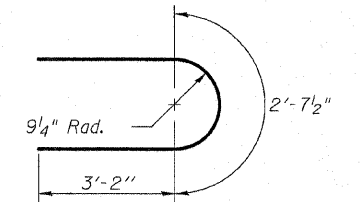
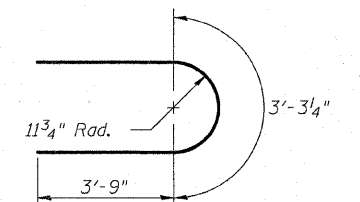
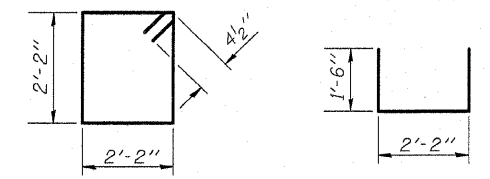
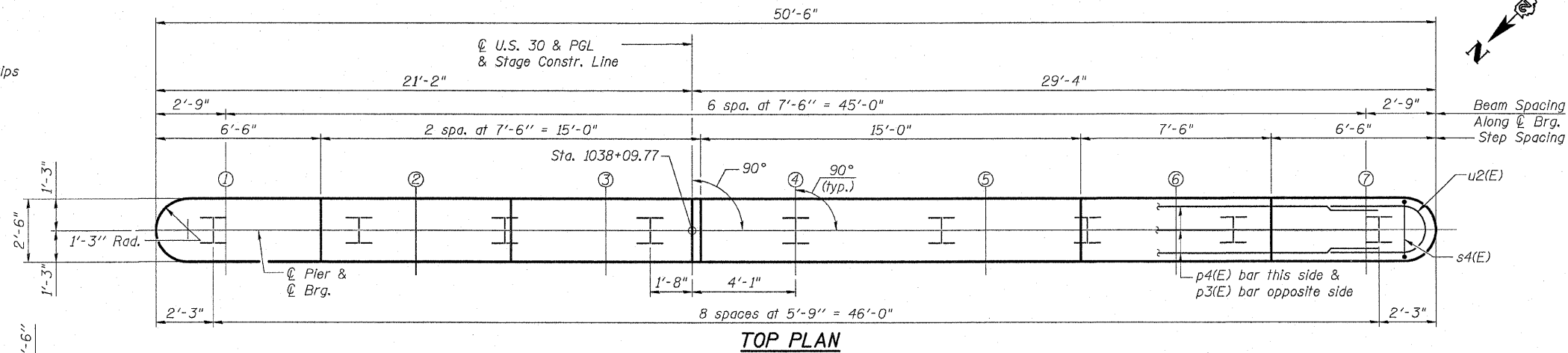
F.A.P. RTE.	SECTION	COUNTY	TOTAL SHEETS	SHEET NO.
309	17R1B	WHITESIDE	376	69
FED. ROAD DIST. NO. 2 ILLINOIS FED. AID PROJECT				

Contract #64B74

- Notes:
1. Space reinforcement in cap to miss anchor bolts.
  2. Pour steps monolithically with cap.
  3. For details of piles and encasement, see Sheet S20 of S25.
  4. If a portion of the pier wall or concrete encasement is under water, reinforcement may be placed underwater into forms. Concrete shall be tremied according to Article 503.08 of the Standard Specifications to an elevation of 1'-0" above the water line at the time of construction.

**PILE DATA**

Type: HP12X53 with pile shoes  
Nominal Required Bearing: 419 kips  
Allowable Resistance Available: 140 kips  
Est. Length: 35'-9"  
No. Production Piles: 9  
No. Test Piles: None



**BILL OF MATERIAL**

Bar	No.	Size	Length	Shape
h1(E)	34	#5	19' - 8"	—
h2(E)	34	#5	27' - 10"	—
p3(E)	7	#7	19' - 9"	—
p4(E)	7	#7	27' - 11"	—
p5(E)	3	#7	14' - 8"	—
s4(E)	50	#4	9' - 5"	□
s5(E)	16	#4	5' - 2"	□
u2(E)	8	#6	10' - 10"	U
u3(E)	34	#6	9' - 0"	U
v5(E)	104	#5	17' - 9"	—
Structure Excavation		Cu. Yd.	39.7	
Concrete Structures		Cu. Yd.	71.6	
Concrete Encasement		Cu. Yd.	3.1	
Reinforcement Bars, Epoxy Coated		Pound	5,350	
Bar Splicers		Each	41	
Furnishing Steel Piles HP 12x53		Foot	321.6	
Driving Piles		Foot	321.6	
Pile Shoes		Each	9	
Underwater Structure Excavation Protection		Each	1	

**PIER 2**

U.S. RTE. 30/IL RTE. 78 OVER ROCK CREEK  
F.A.P. ROUTE 309, SECTION (17R)B  
WHITESIDE COUNTY  
STATION 1037+84.35  
STRUCTURE NO. 098-0113

DATE: December 18, 2008      DRAWN BY: D. Schettler  
CHECKED BY: A. Durbak



m:\isla\dot\20608\_05\work order #105 30 over rock creek\drawing\structure\19-Pier2.dgn  
 09/21/2008 12:28:24 PM