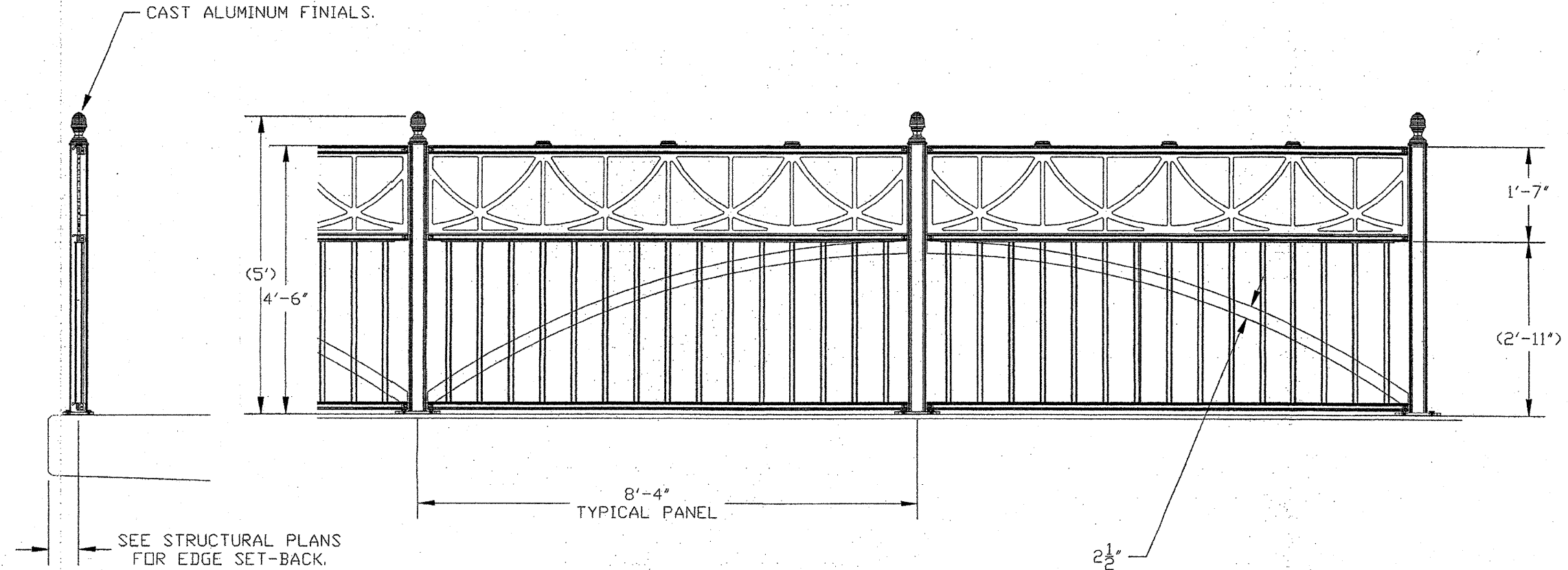


STATE OF ILLINOIS  
DEPARTMENT OF TRANSPORTATION

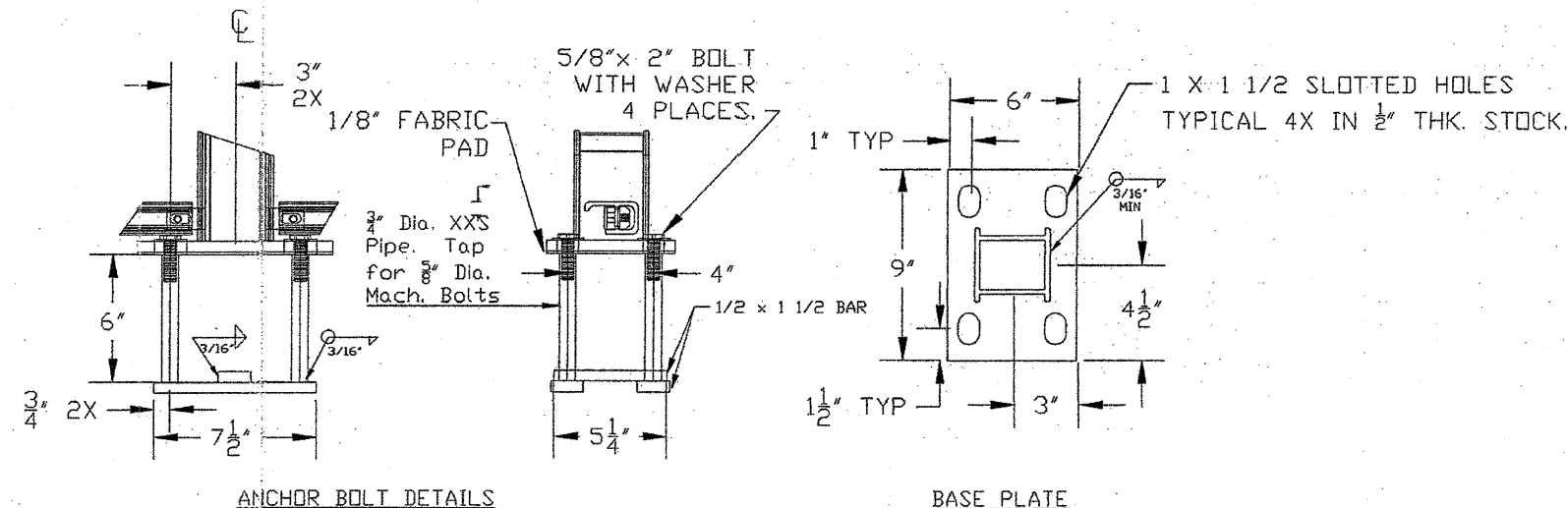
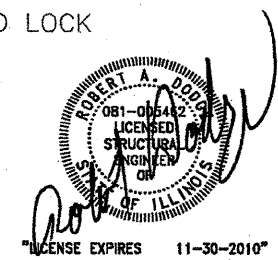


NOTES:

1. THIS RAILING SYSTEM MEETS OR EXCEEDS THE AASHTO LRFD REQUIREMENTS FOR SECTION 13.9, BICYCLE RAILINGS.
2. THE MATERIALS ARE 6000 SERIES ALUMINUM. PANELS ARE WELDED ASSEMBLIES FIXED TO EXTRUDED POSTS USING ALUMINUM AND STAINLESS STEEL FASTENERS. PINEAPPLE MOTIF FINIALS ARE ALUMINUM CASTINGS.
3. FINAL FINISH IS BLACK GLOSS KYNAR 500 XL OR EQUIVELANT.
4. ALL PARTS OF THE ANCHOR BOLT ASSEMBLIES (ANCHOR BOLTS, CAP SCREWS, WASHERS AND LOCK WASHERS) SHALL BE STAINLESS STEEL.

BILL OF MATERIAL

ITEM	UNIT	QUANTITY
DECORATIVE RAILING (DECK-MOUNTED)	FOOT	390



ANCHOR BOLT DETAILS

IN LIEU OF THE CAST-IN-PLACE ANCHOR DEVICE SHOWN, THE CONTRACTOR HAS THE OPTION OF DRILLING AND SETTING 3/4" DIA. ANCHOR RODS ACCORDING TO ARTICLE 509.06 OF THE STANDARD SPECIFICATIONS. EMBEDMENT SHALL BE ACCORDING TO THE MANUFACTURER'S SPECIFICATIONS.

BASE PLATE

KNOWN SOURCE OF SUPPLY IS:  
**VALENTINE & COMPANY**  
3925 ROOSEVELT BOULEVARD  
MIDDLETOWN, OHIO 45044  
CALL: 513 422 1055 FAX: 513 422 9227

U.S. RTE. 30/IL RTE. 78 OVER ROCK CREEK  
STRUCTURE No. 098-0113

DECORATIVE RAILING (DECK-MOUNTED)

SCALE: HORIZ. 1"=20' / VERT. 1"=5'	PROJECT NO.:	STA. 1037+84.35	F&P R/E.	SECTION	COUNTY	TOTAL SHEETS	SHEET NO.
			309	(17R)B	WHITESIDE	326	76
			FED. ROAD DIST. NO. 2	ILLINOIS FED. AID PROJECT			

K:\WORK\071147-ROCK CREEK BRIDGE\SUBCON\DRAWINGS\098-0113\1 OF 2 DECK-MOUNTED RAILING.RVT 8 - 08 4/20/08 1 OF 2  
 Project: 12/11/2008 3:30 PM By: 56504R  
 Copyright © 2008, By: Robert A. Duggan, Inc.  
 License No.: 081-005422 - Expires 11-30-2010



DESIGNED - HEV / SLN	REVISED - TOTAL SHEETS WAS 2 10-28-2008
DRAWN - HEV / HEB	REVISED - PER IDOT 12-04-2008
CHECKED - RAD	REVISED -
DATE - 9-4-2008	REVISED -