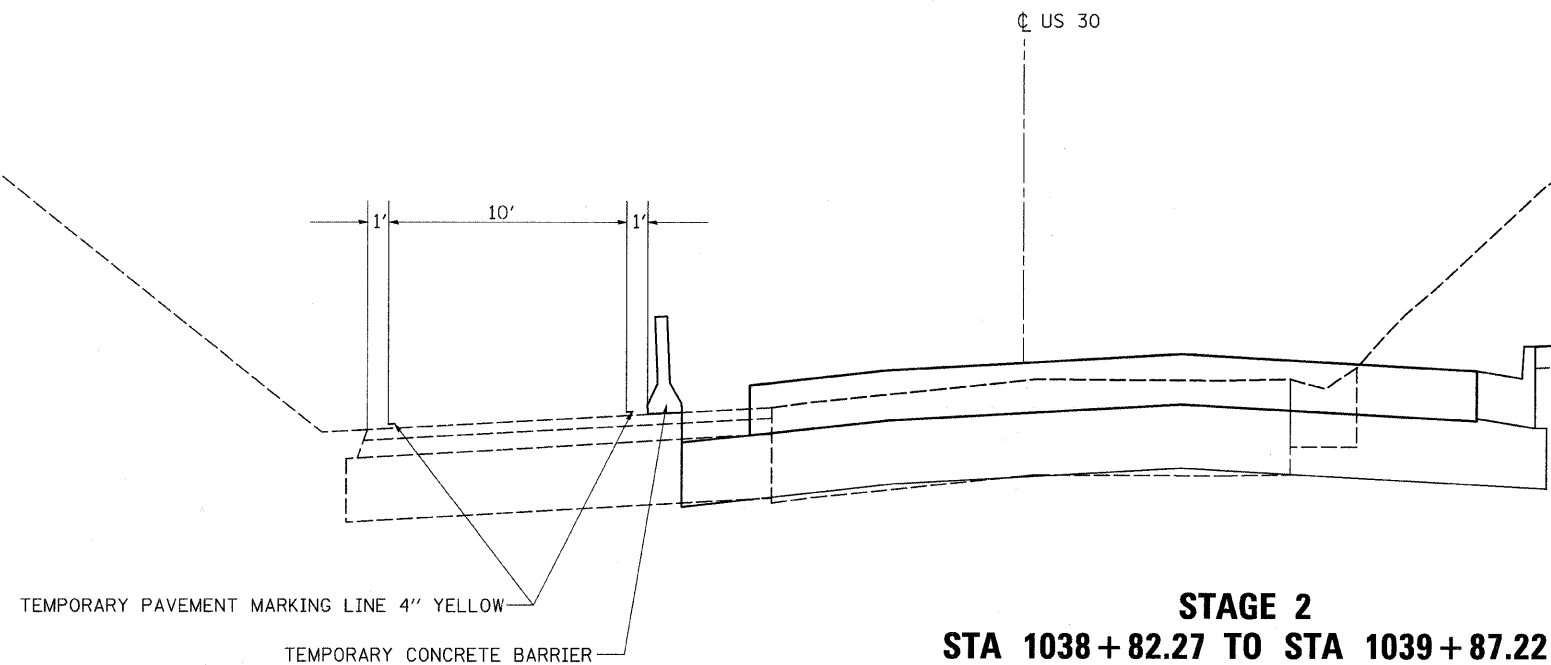
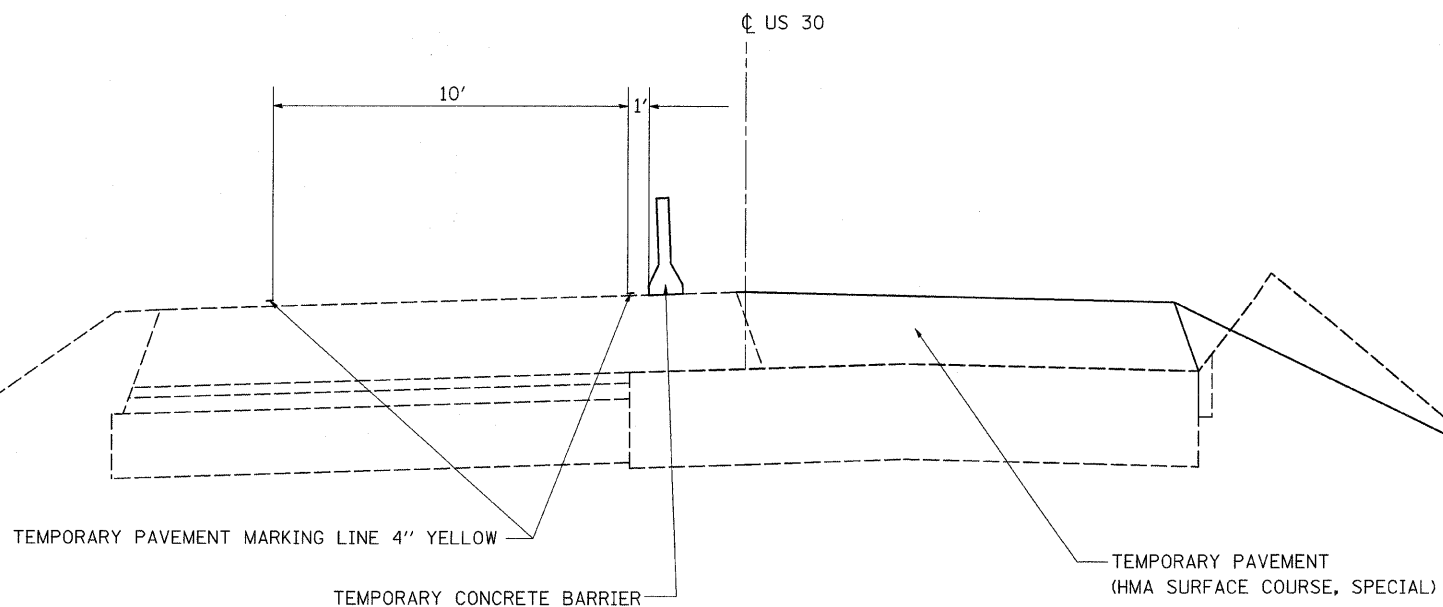


**STAGE 2  
STA 1031 + 30.05 TO STA 1038 + 82.27**



**STAGE 2  
STA 1038 + 82.27 TO STA 1039 + 87.22**



FILE NAME =  
c:\pwork\pwork\dot\ditzleraa\dms34552\st3

USER NAME = ditzlerse  
905.dgn  
PLOT SCALE = 50.0000' / IN.  
PLOT DATE = Fri Mar 13 06:49:29 2009

DESIGNED -  
DRAWN -  
CHECKED -  
DATE -

REVISED -  
REVISED -  
REVISED -  
REVISED -

**STATE OF ILLINOIS  
DEPARTMENT OF TRANSPORTATION**

**STAGING TYPICAL SECTIONS**

SCALE: SHEET NO. OF SHEETS STA. TO STA.

F.A.P. RTE.	SECTION	COUNTY	TOTAL SHEETS	SHEET NO.
309	(17R)B	WHITESIDE	376	86
ILLINOIS FED. AID PROJECT			CONTRACT NO. 64B74	