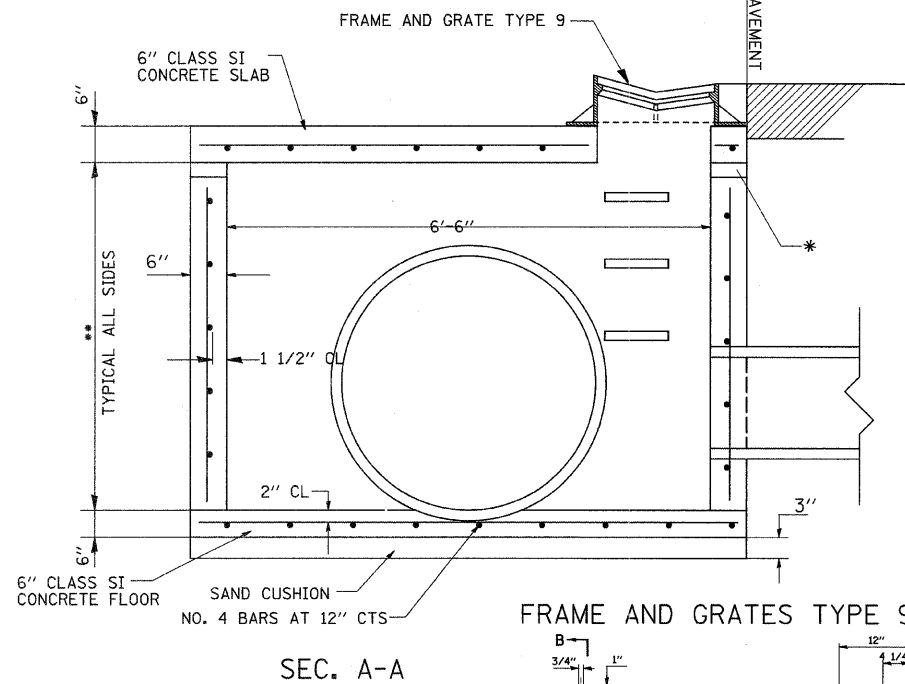


INLET SPECIAL NO. 7



SEC. A-A

SEE STANDARD 602701 FOR DETAILS OF STEPS.

1" PREFORMED EXPANSION JOINTS AS SHOWN SHALL BE PROVIDED ON EACH SIDE OF INLET. CLASS SI CONCRETE OR PRECAST CONCRETE SHALL BE USED THROUGHOUT.

THE SIDE WALLS MAY BE BUILT AS PRECAST SEGMENTAL SECTIONS.

REINFORCEMENT FOR INLET SPECIAL #7 SHALL BE ACCORDING TO DETAIL

ALL VOIDS AROUND PIPE ENTRANCE, BOTH INSIDE AND OUTSIDE, SHALL BE SEALED WITH MORTAR.

WEIGHT OF CAST IRON FRAME & GRATE = 440 LBS. STEPS SHALL BE OMITTED WHEN DEPTH OF "H" IS LESS THAN 60".

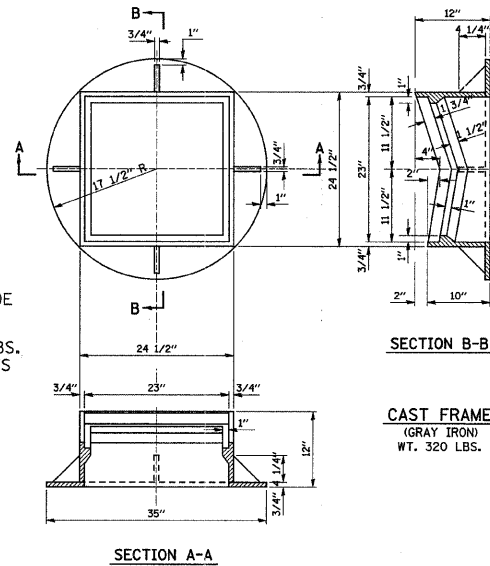
THE INLET SHALL BE CAST IN PLACE OR PRECAST.

EXCEPT AS NOTED HEREON INLET SPECIAL NO. 7 SHALL BE CONSTRUCTED IN ACCORDANCE WITH SECTION 602 OF THE STANDARD SPECIFICATIONS.

THE CONTRACT UNIT PRICE EACH FOR INLET SPECIAL NO. 7 SHALL INCLUDE THE COST OF FURNISHING AND INSTALLING THE FRAME, LID, REINFORCEMENT BARS, FLOOR AND TOP SLABS, CAST IRON STEPS (IF USED).

THE CURB AND GUTTER WILL BE PAID FOR SEPARATELY AND WILL BE MEASURED THROUGH THE INLET.

FRAME AND GRATES TYPE 9



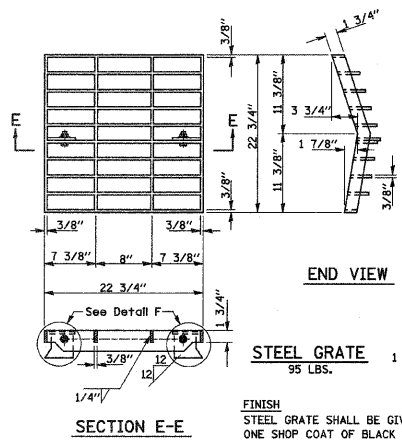
SECTION A-A

SECTION B-B

CAST FRAME (GRAY IRON) WT. 320 LBS.

SECTION C-C

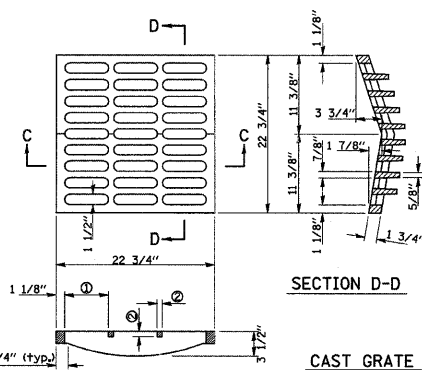
SECTION D-D



END VIEW

STEEL GRATE 95 LBS.

FINISH STEEL GRATE SHALL BE GIVEN ONE SHOP COAT OF BLACK BITUMINOUS PAINT.



SECTION C-C

CAST GRATE 120 lbs.

GENERAL NOTES

THE MATERIAL FOR STEEL GRATE SHALL CONFORM TO ARTICLE 1006.04 OF THE STANDARD SPECIFICATIONS.

THE USE OF EITHER A CAST GRATE OR A STEEL GRATE WITH THE CAST FRAME SHALL BE THE OPTION OF THE CONTRACTOR.

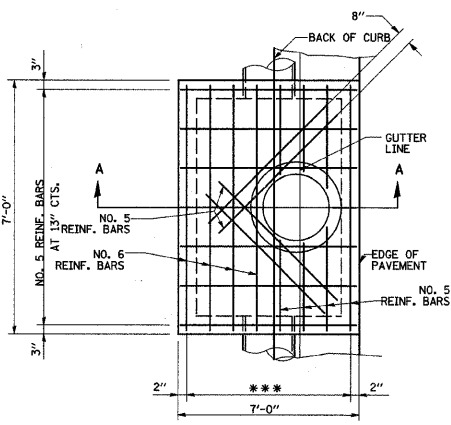
THE CAST GRATE MAY BE MADE OF EITHER GRAY IRON OR DUCTILE IRON CONFORMING TO THE STANDARD SPECIFICATIONS. DUCTILE IRON CASTING SHALL BE GRADE 65-45-12

- 4'-0" TO 8'-0" - NO. 5 REINF. BARS AT 12" CTS. E.W.
- 8'-0" TO 13'-0" - NO. 5 REINF. BARS AT 10" CTS. E.W.
- 13'-0" TO 15'-0" - NO. 5 REINF. BARS AT 8" CTS. E.W.

* THE WALL ADJUSTMENTS SHALL BE MADE WITH CONCRETE BUILDING BRICK OR CLASS SI CONCRETE.

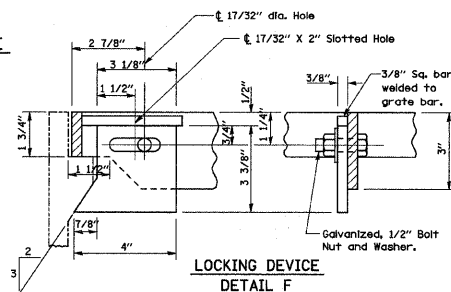
THE HEIGHT OF THE BOX MAY BE CONSTRUCTED 6" SHORT TO ALLOW FOR FIELD ADJUSTMENTS.

STEPS AT 12" TO 16" CTS.



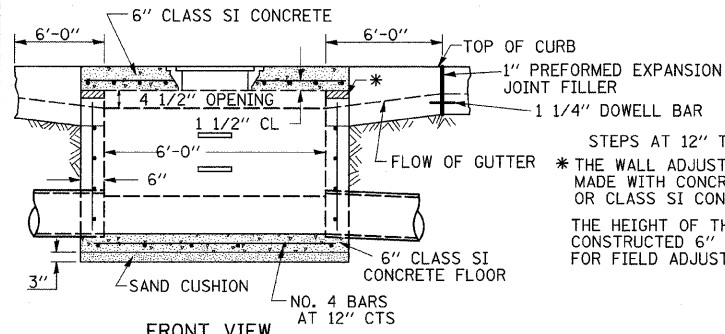
TOP VIEW

*** NO. 5 REINFORCEMENT BARS 10 SPA. @ 8"



LOCKING DEVICE DETAIL F

INLET SPECIAL NO. 8



FRONT VIEW

NOTES

SEE STANDARD 602701 FOR DETAILS OF STEPS.

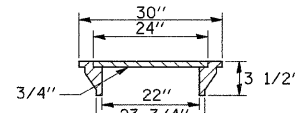
1" PREFORMED EXPANSION JOINTS AS SHOWN SHALL BE PROVIDED ON EACH SIDE OF INLET.

CLASS SI CONCRETE OR PRECAST CONCRETE SHALL BE USED THROUGHOUT.

THE SIDE WALLS MAY BE BUILT AS PRECAST SEGMENTAL SECTIONS.

REINFORCEMENT FOR INLET SPECIAL #8 SHALL BE ACCORDING TO DETAIL

LIGHT WEIGHT MANHOLE CASTING



TOTAL WEIGHT 160 LBS.

STEPS SHALL BE OMITTED WHEN DEPTH OF INLET IS LESS THAN 5'

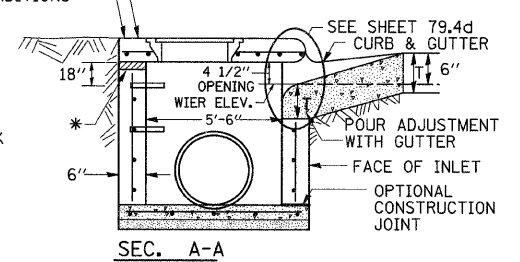
THE INLET SHALL BE CAST IN PLACE OR PRECAST.

EXCEPT AS NOTED HEREON INLET SPECIAL NO. 8 SHALL BE CONSTRUCTED IN ACCORDANCE WITH SECTION 602 OF THE STANDARD SPECIFICATIONS.

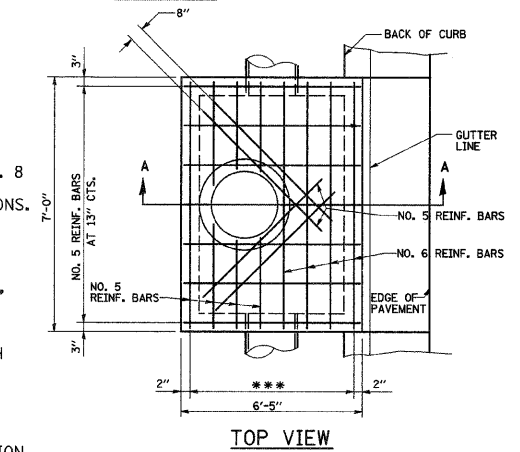
THE CONTRACT UNIT PRICE EACH FOR INLET SPECIAL NO. 8 SHALL INCLUDE THE COST OF FURNISHING AND INSTALLING THE FRAME, LID, REINFORCEMENT BARS, FLOOR AND TOP SLABS, CAST IRON STEPS (IF USED).

THE CURB AND GUTTER WILL BE PAID FOR SEPARATELY AND WILL BE MEASURED THROUGH THE INLET.

THE CURB AND GUTTER ADJACENT TO AND 6' ON EITHER SIDE OF THE INLET SHALL BE CONSTRUCTED AS SHOWN WITH NO ADDITIONAL COMPENSATION FOR THE TRANSITION.



SEC. A-A



TOP VIEW

INLET SPECIAL NO. 8

REVISED -	REGION 2 / DISTRICT 2 STANDARD			F.A.P. RTE.	SECTION	COUNTY	TOTAL SHEETS	SHEET NO.
REVISED -				309	(17)B	WHITESIDE	376	117
REVISED -				CONTRACT NO. 64B74				
REVISED -	SCALE: 5/8" = 1' / 1"	SHEET NO.	OF SHEETS	STA.	TO STA.	FED. ROAD DIST. NO. ILLINOIS FED. AID PROJECT		