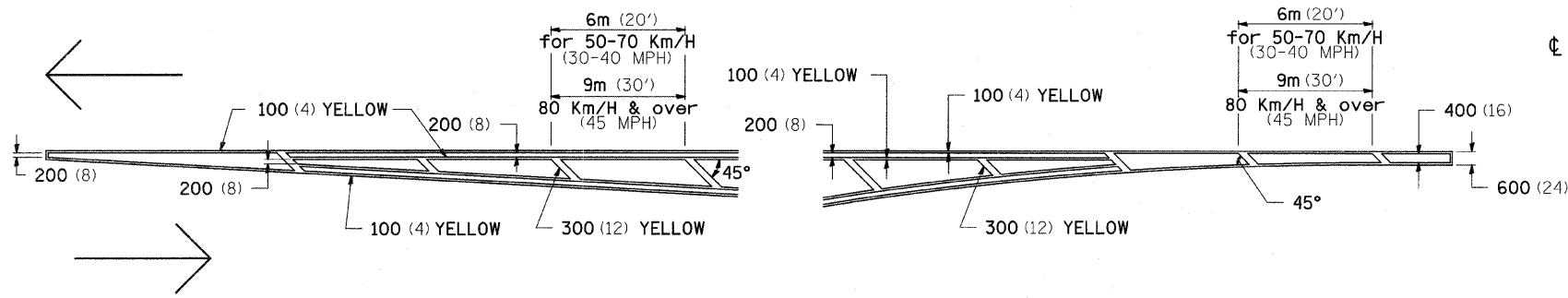
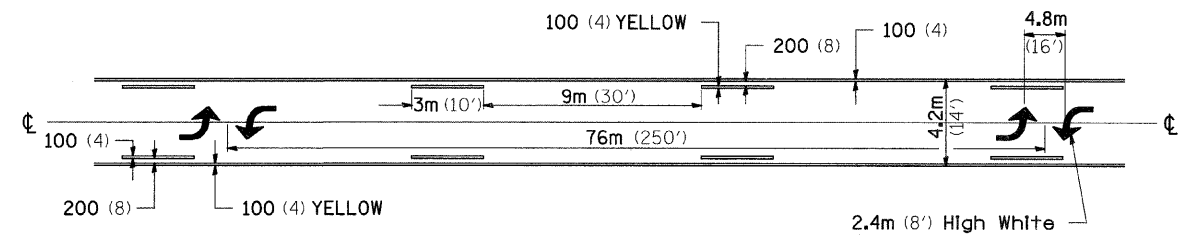


TYPICAL PAVEMENT MARKINGS

TYPICAL PAVEMENT MARKING FOR FLUSH MEDIAN AT LEFT TURN LANE

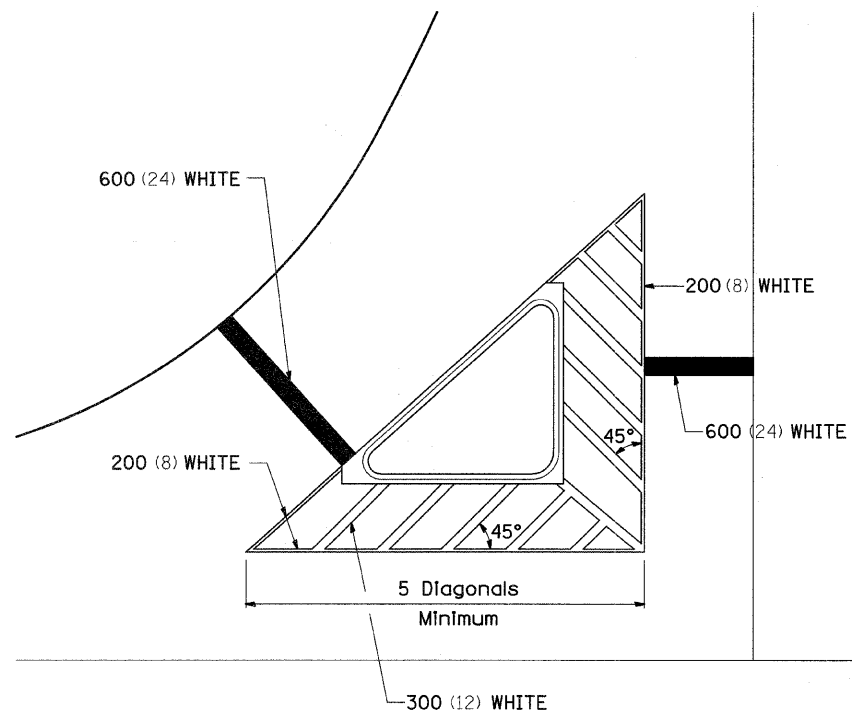


MEDIAN PAVEMENT MARKING

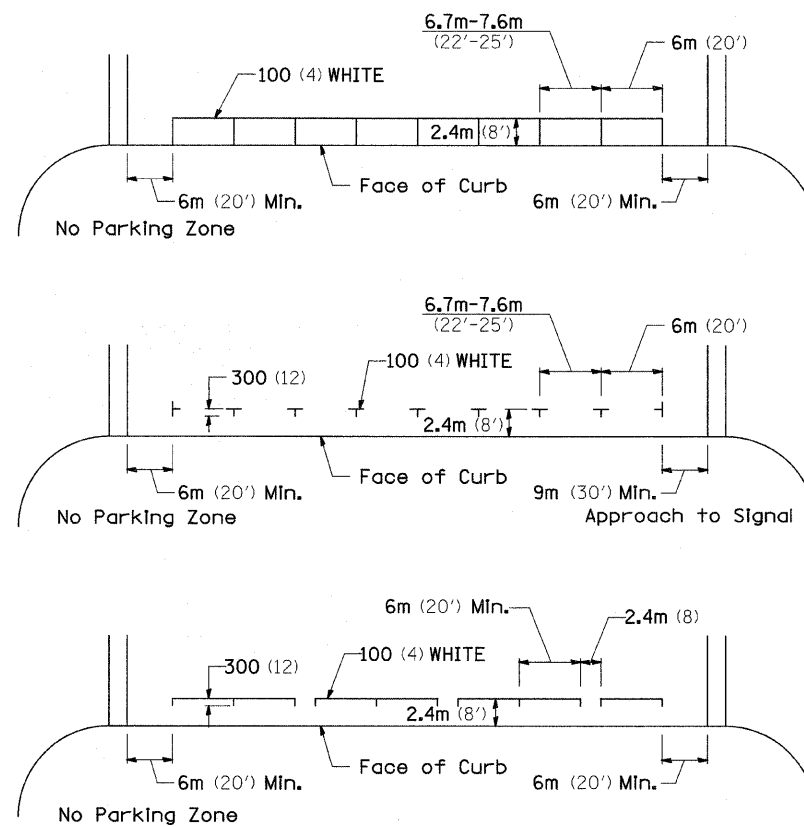


** ALL DIMENSIONS ARE IN MILLIMETERS (INCHES) UNLESS OTHERWISE NOTED.

TYPICAL ISLAND OFFSET SHOULDER WIDTH

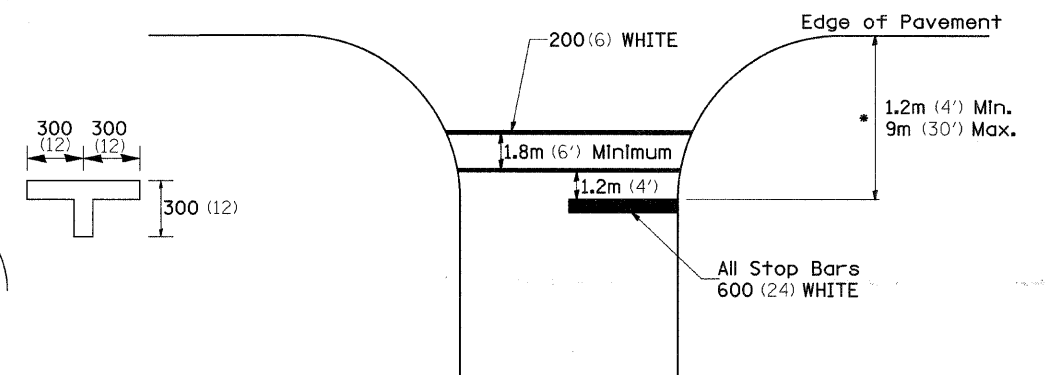


TYPICAL PARKING SPACING



STANDARD CROSSWALK MARKING

See Schedules for Locations



* Distance to the nearest edge of the intersecting roadway in the absence of a marked crosswalk.

FILE NAME =	USER NAME = dtzlerse	DESIGNED -	REVISED - 10-21-08	STATE OF ILLINOIS DEPARTMENT OF TRANSPORTATION	REGION 2 / DISTRICT 2 STANDARD			F.A.P. RTE.	SECTION	COUNTY	TOTAL SHEETS	SHEET NO.
cd\pwwork\pwwdot\dtzlerse\dms34552\d13025spl.dgn	DRAWN -	REVISED -	309					(17R)B	WHITESIDE	376	130	
PLOT SCALE = 50.0000' / IN.	CHECKED -	REVISED -	CONTRACT NO. 64B74									
PLOT DATE = Fri Mar 13 08:48:15 2009	DATE -	REVISED -	FED. ROAD DIST. NO. ILLINOIS FED. AID PROJECT									
			SCALE:					SHEET NO.	OF SHEETS	STA.	TO STA.	