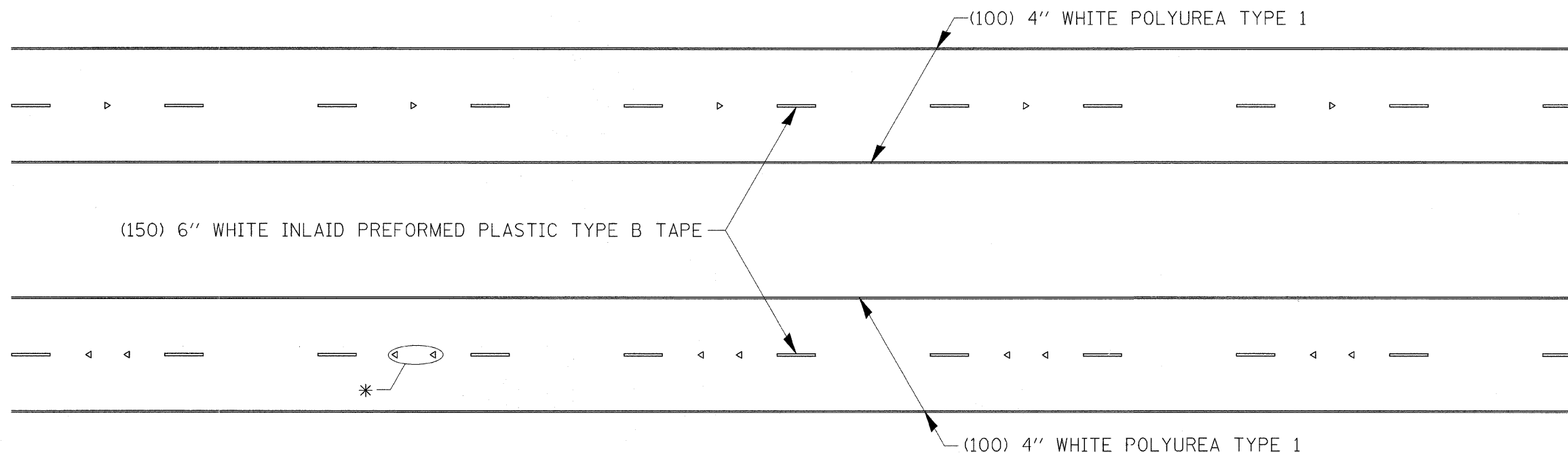
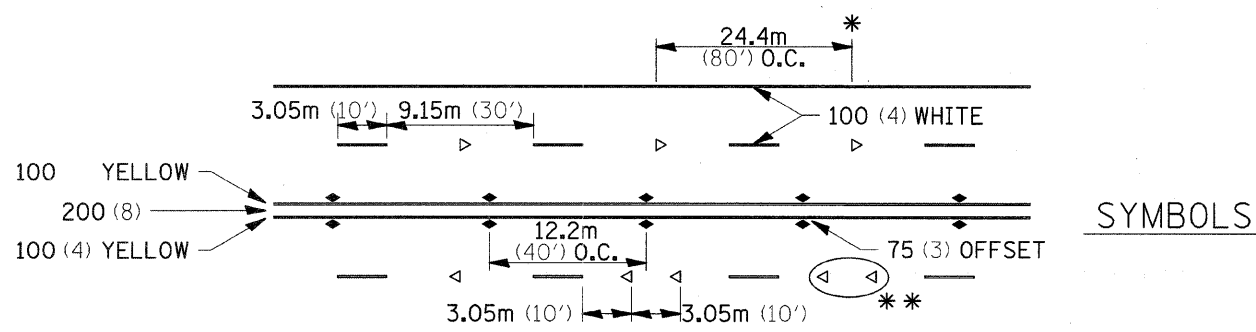


TYPICAL PAVEMENT MARKINGS



* SEE HIGHWAY STANDARD 781001 FOR SPACING DETAILS.
USE DOUBLE MARKERS WHEN ADT ≥ 25,000.

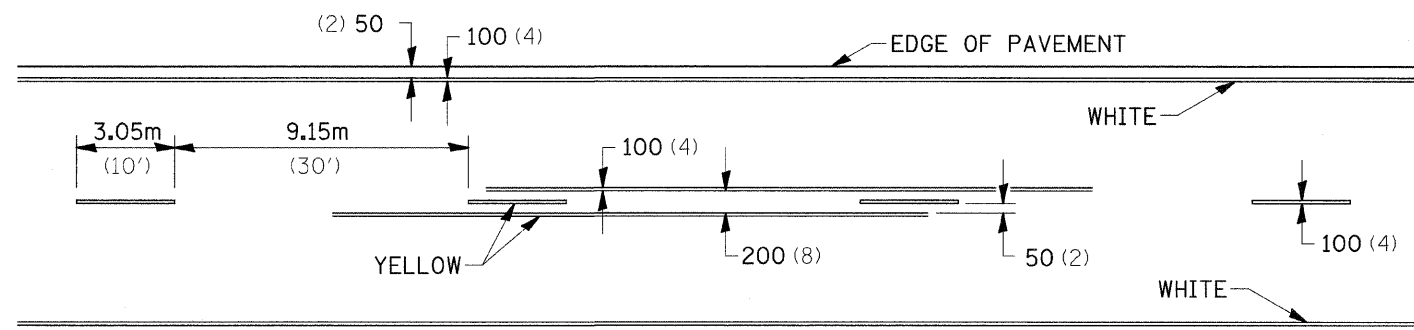
MULTI-LANE / DIVIDED



* REDUCE TO 12.2m (40') O.C. ON CURVES WHERE ADVISORY SPEEDS ARE 15km/H (10MPH) LOWER THAN POSTED SPEEDS.
** USE DOUBLE MARKERS WHEN ADT ≥ 25,000

MULTI-LANE / UNDIVIDED

TYPICAL PAVEMENT MARKING FOR TWO LANE SECTION – NO PASSING ZONES



FILE NAME =	USER NAME = dtziersa	DESIGNED -	REVISED - 10-21-08	STATE OF ILLINOIS DEPARTMENT OF TRANSPORTATION	REGION 2 / DISTRICT 2 STANDARD			F.A.P. RTE.	SECTION	COUNTY	TOTAL SHEETS	SHEET NO.
ct\pwork\pwork\dtziersa\dms34552\d13905api.dgn	DRAWN -	REVISED -	309					(17R)B	WHITESIDE	376	132	
PLOT SCALE = 50,000' / IN.	CHECKED -	REVISED -	CONTRACT NO. 64B74									
PLOT DATE = Fri Mar 13 08:48:16 2009	DATE -	REVISED -	ILLINOIS FED. AID PROJECT									
				SCALE:	SHEET NO. OF SHEETS	STA. TO STA.						