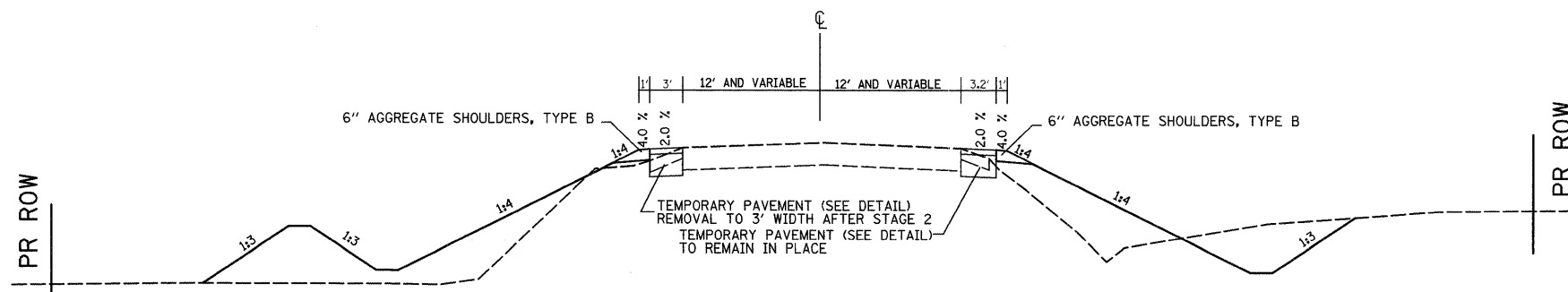


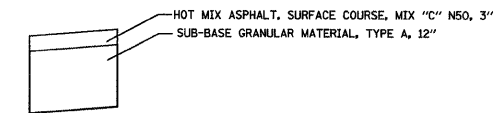
TYPICAL SECTIONS

SN 008-1095

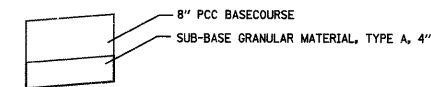


TEMPORARY PAVEMENT & SUB-BASE DETAIL

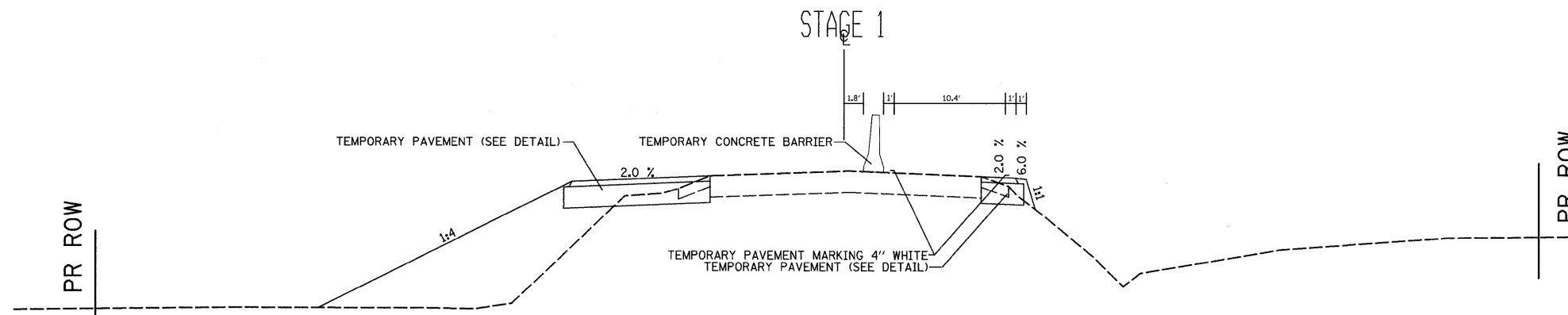
FLEXIBLE PAVEMENT OPTION



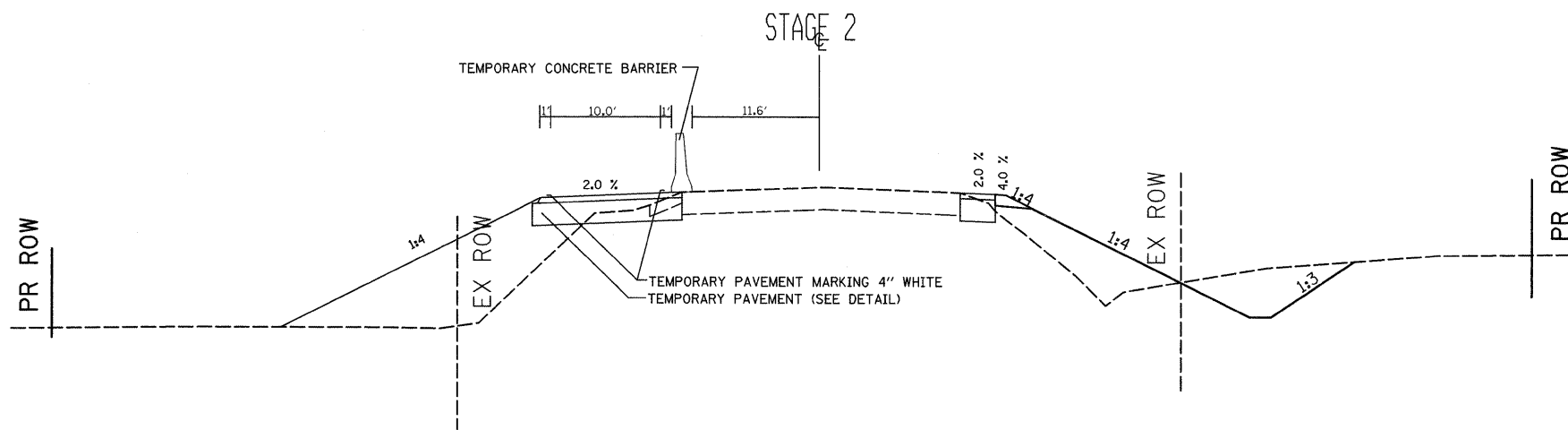
RIGID PAVEMENT OPTION



STAGE 1



STAGE 2



| | | | | | | | | | | | | | | | |
|--|--------------------|------------|-----------|---|--------------|-----------|----|--------|-------------|---------|---------------------------|--------------------|-----------|----|---|
| FILE NAME = | USER NAME = fordjd | DESIGNED - | REVISED - | STATE OF ILLINOIS DEPARTMENT OF TRANSPORTATION | IL 40 | | | | F.A.P. RTE. | SECTION | COUNTY | TOTAL SHEETS | SHEET NO. | | |
| ct:\pwork\pwork\FORDJD\dms33783\0264012-sh-typical.dgn | | DRAWN - | REVISED - | | SCALE: | SHEET NO. | OF | SHEETS | STA. | TO STA. | 646 | 4T-2 | Carroll | 63 | 9 |
| | | CHECKED - | REVISED - | | | | | | | | | | | | |
| | | DATE - | REVISED - | | | | | | | | | | | | |
| | | | | | | | | | | | | CONTRACT NO. 64D12 | | | |
| | | | | | | | | | | | ILLINOIS FED. AID PROJECT | | | | |