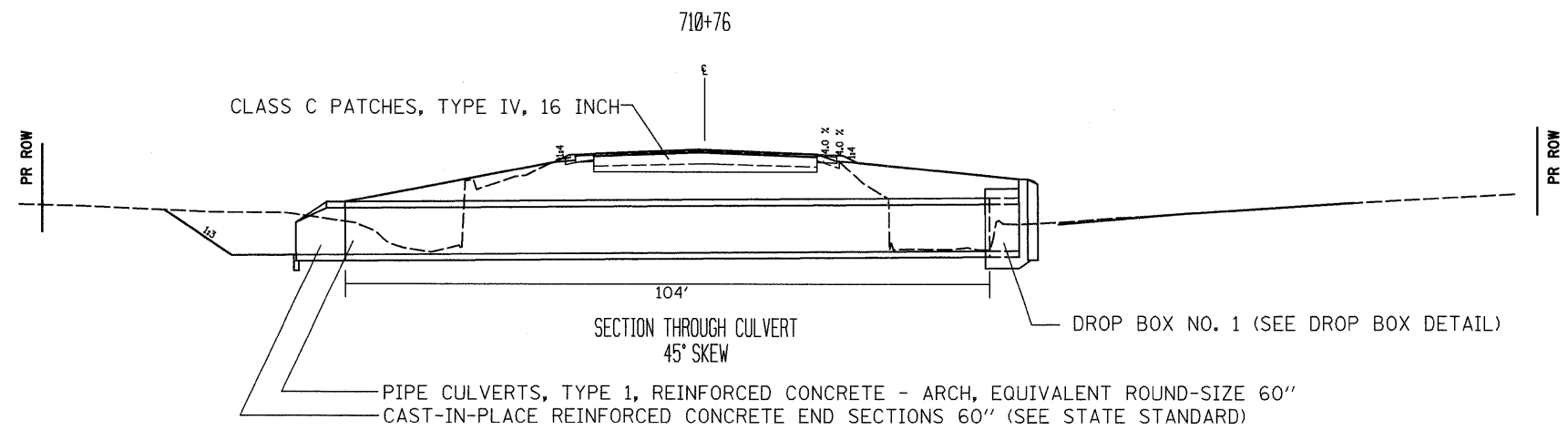
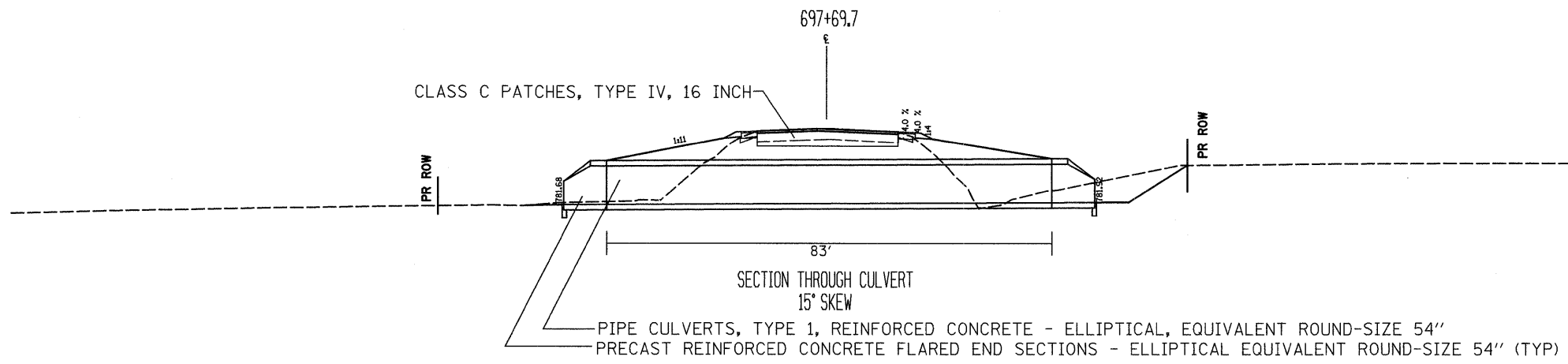
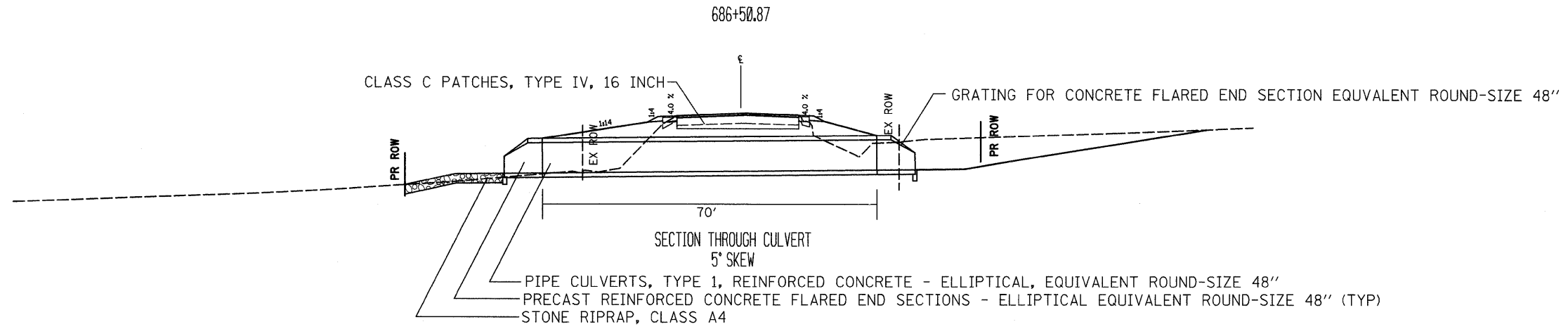


TYPICAL SECTIONS



FILE NAME =	USER NAME = fordjd	DESIGNED -	REVISED -	STATE OF ILLINOIS DEPARTMENT OF TRANSPORTATION	IL 40	F.A.P. RTE. 646	SECTION 4T-2	COUNTY Carroll	TOTAL SHEETS 63	SHEET NO. 11
ct:\pwork\pwidot\FORDJD\dms33783\0264\12-sh-typical.dgn	12-sh-typical.dgn	DRAWN -	REVISED -			CONTRACT NO. 64D12				
PLOT SCALE = 20.0000 / IN.	CHECKED -	REVISED -	REVISED -			ILLINOIS FED. AID PROJECT				
PLOT DATE = Fri Mar 13 11:33:54 2009	DATE -	REVISED -	REVISED -		SCALE:	SHEET NO.	OF	SHEETS	STA.	TO STA.