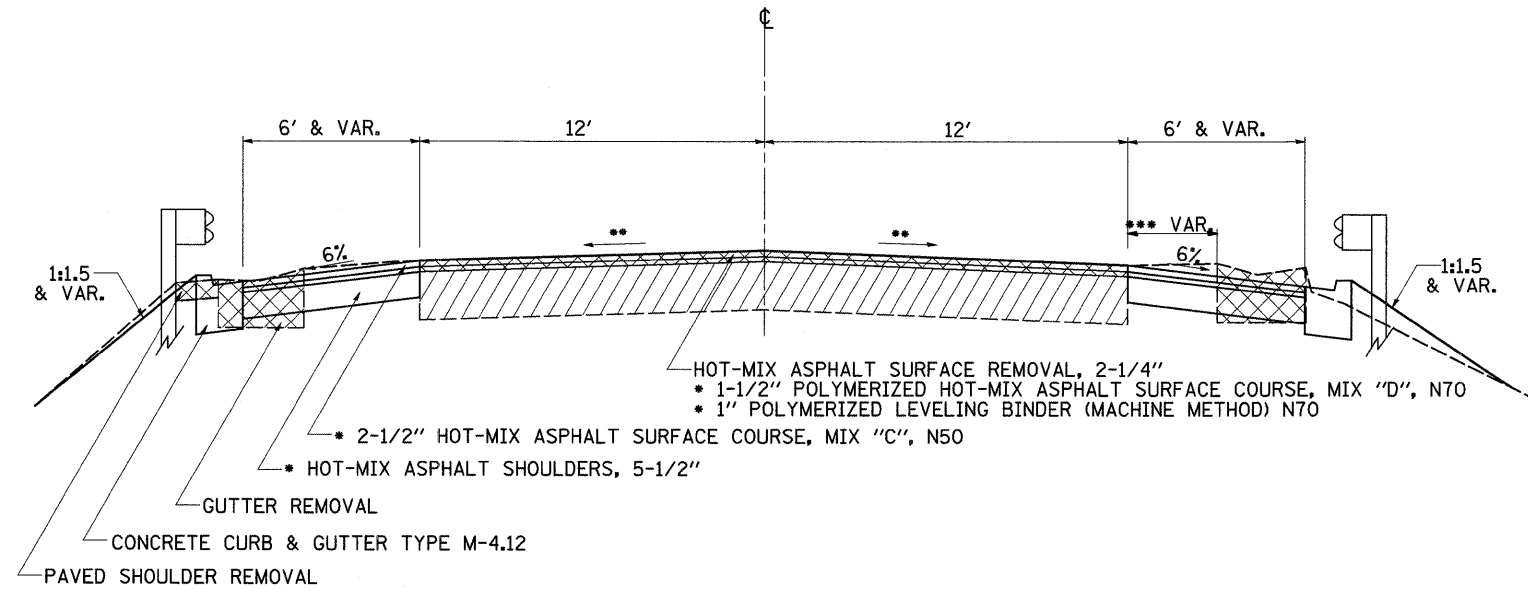
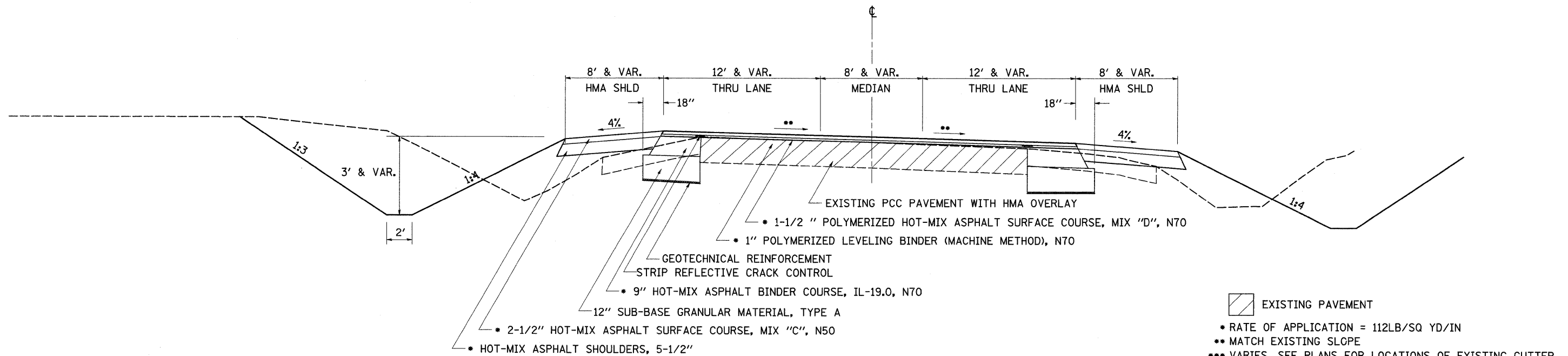


PROPOSED TYPICAL SECTION IL RTE 72 & IL RTE 251

STA 780+85.5 TO STA 784+24.3 (IL 251)



STA 1786+35.9 TO STA 1788+81.2 (IL 72 SUPER)



FILE NAME =	USER NAME = dosadd	DESIGNED -	REVISED -	STATE OF ILLINOIS DEPARTMENT OF TRANSPORTATION	PROPOSED TYPICAL SECTION			F.A.P. RTE.	SECTION	COUNTY	TOTAL SHEETS	SHEET NO.
c:\pwork\pwidot\dossdd\dms41852\d07028typ.dgn	PLOT SCALE = 20.0000' / IN.	DRAWN -	REVISED -					553	120M	OGLE	71	10
PLOT DATE = Tue Jan 13 15:38:47 2009	DATE -	CHECKED -	REVISED -		SCALE: SHEET NO. OF SHEETS STA. TO STA.			CONTRACT NO. 64E55				
					FED. ROAD DIST. NO.		ILLINOIS FED. AID PROJECT					