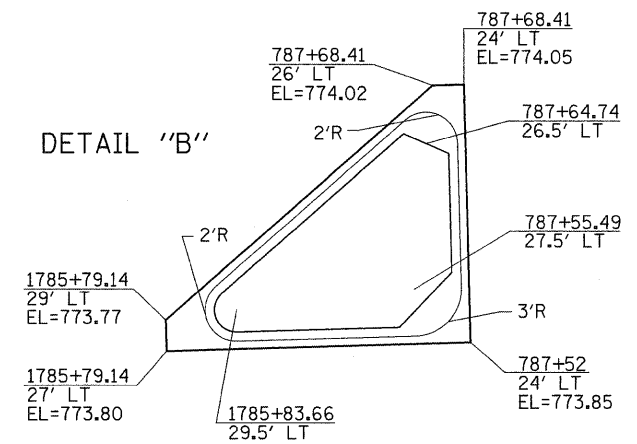


# PAVEMENT ELEVATIONS

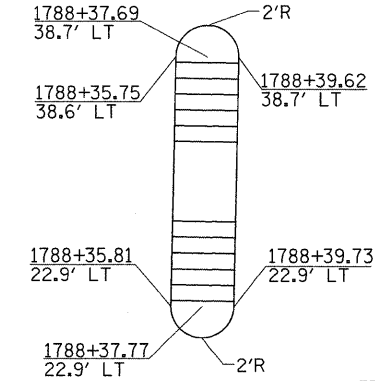
IMPROVEMENT ENDS  
STA. 794+41  
SECTION ENDS  
STA. 789+92.7



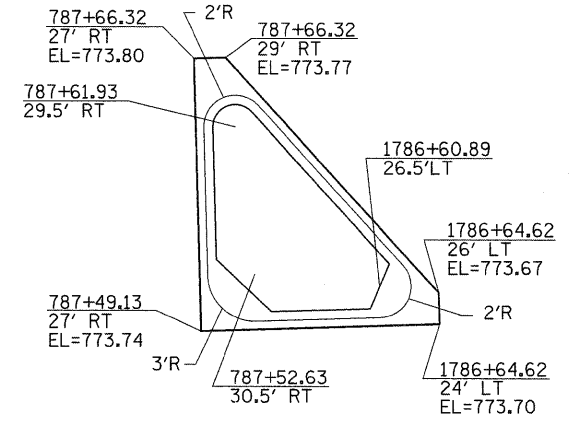
DETAIL "B"



DETAIL "E"



DETAIL "C"



STA 1786+22.15 (IL ROUTE 72) =  
STA 787+24.80 (IL ROUTE 251)

2 CENTERED CURVE  
110'R - 400'R  
7' OFFSET

2 CENTERED CURVE  
110'R - 400'R  
7' OFFSET

IMPROVEMENT BEGINS  
STA. 1777+84

SECTION BEGINS  
STA. 1782+84.4

SECTION ENDS  
STA. 1788+81.2

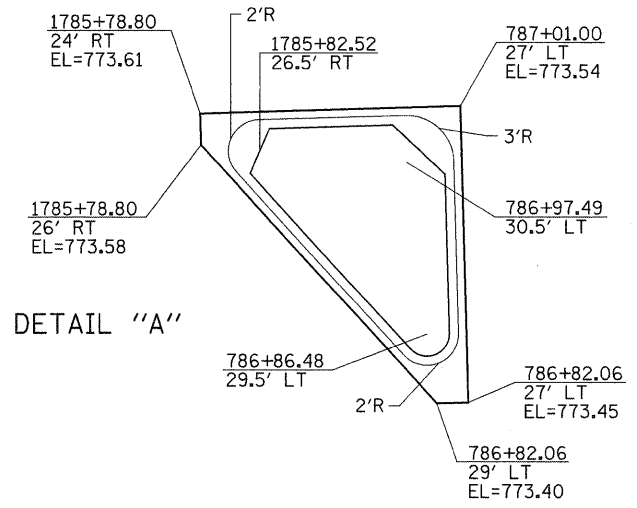
IMPROVEMENT ENDS  
STA. 1789+31.2

IL RTE 72  
STOP

IL RTE 72

89° 51' 39.6"

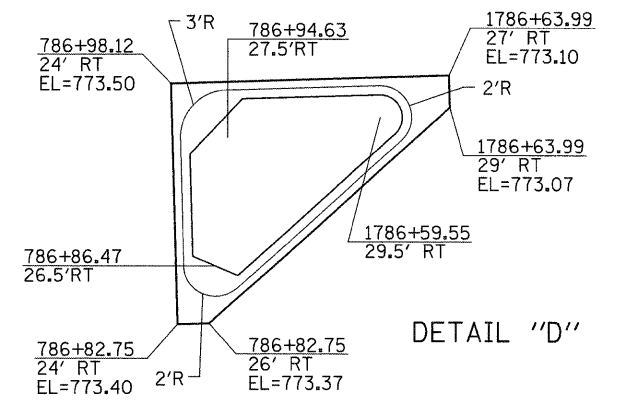
DETAIL "A"



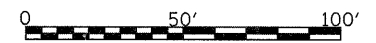
2 CENTERED CURVE  
110'R - 400'R  
7' OFFSET

2 CENTERED CURVE  
110'R - 400'R  
7' OFFSET

IMPROVEMENT BEGINS  
SECTION BEGINS  
STA. 780+85.5



DETAIL "D"



FILE NAME =	USER NAME = dosadd	DESIGNED -	REVISED -
ct:\pwork\p\WIDOT\DOSSDD\dms41852\d0788	Belv.dgn	DRAWN -	REVISED -
	PLOT SCALE = 30.0000' / IN.	CHECKED -	REVISED -
	PLOT DATE = Tue Jan 13 15:44:39 2009	DATE -	REVISED -

STATE OF ILLINOIS  
DEPARTMENT OF TRANSPORTATION

IL 251 & IL 72  
PAVEMENT ELEVATIONS

SCALE: 1" = 30' SHEET NO. OF SHEETS STA. TO STA.

F.A.P. RTE.	SECTION	COUNTY	TOTAL SHEETS	SHEET NO.
553	120M	OGLE	71	32
FED. ROAD DIST. NO.		ILLINOIS FED. AID PROJECT		
		CONTRACT NO. 64E55		