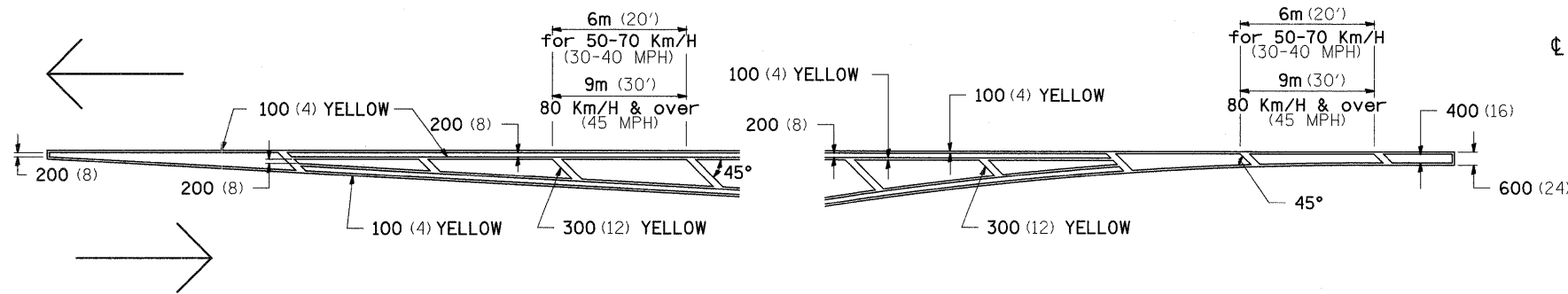
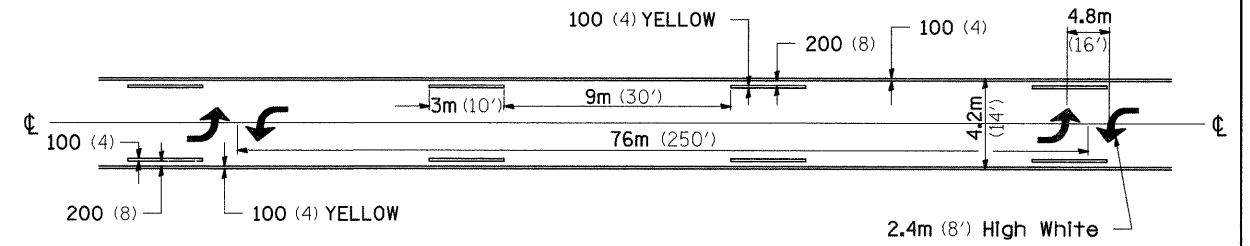


TYPICAL PAVEMENT MARKINGS

TYPICAL PAVEMENT MARKING FOR FLUSH MEDIAN AT LEFT TURN LANE

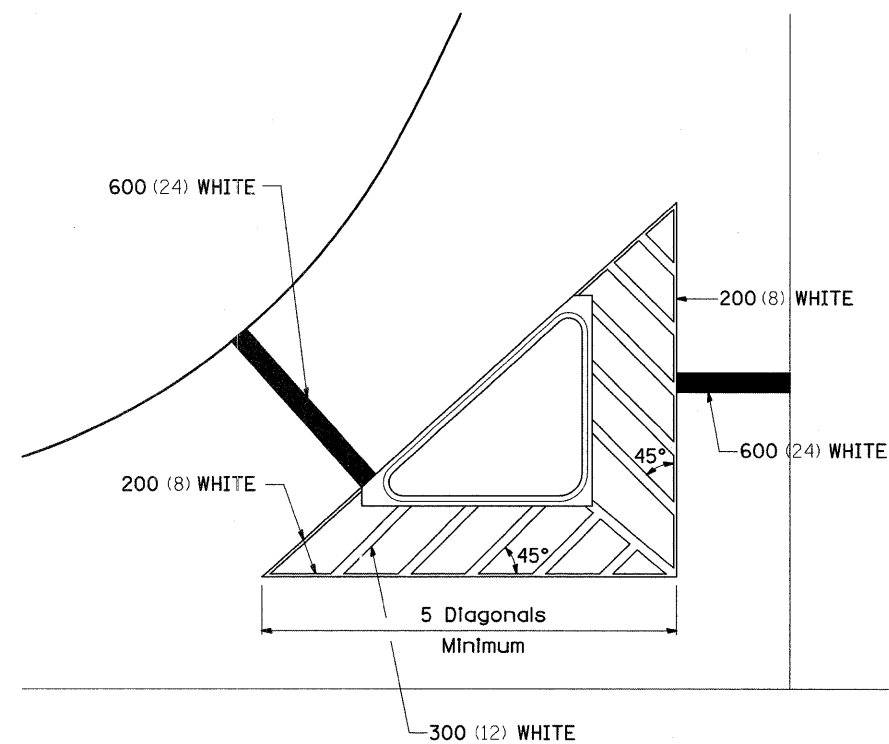


MEDIAN PAVEMENT MARKING

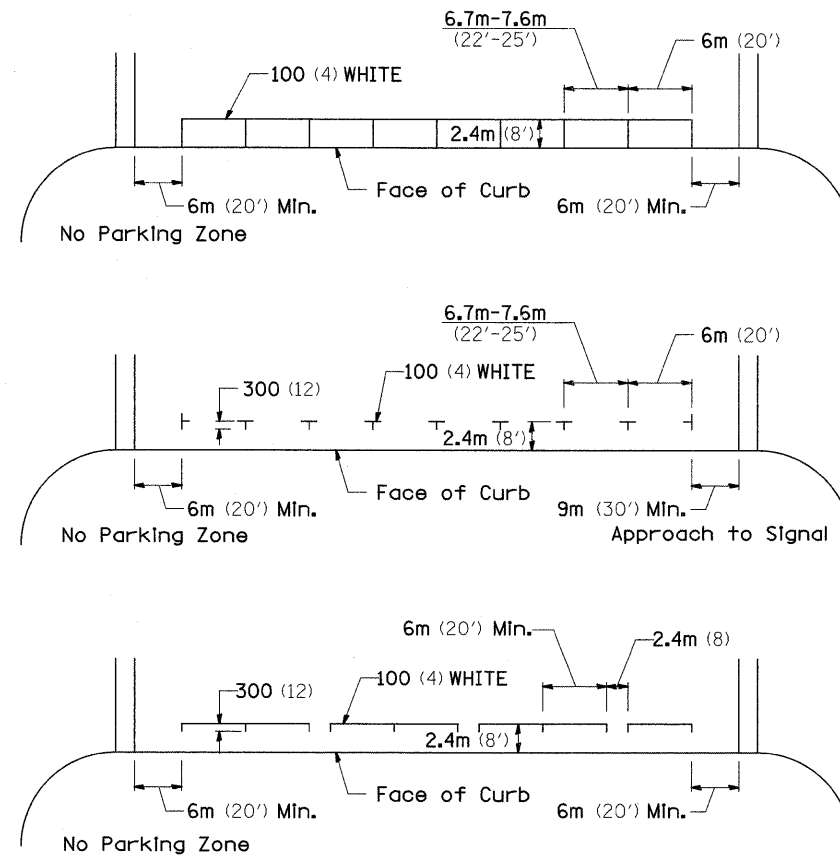


** ALL DIMENSIONS ARE IN MILLIMETERS (INCHES) UNLESS OTHERWISE NOTED.

TYPICAL ISLAND OFFSET SHOULDER WIDTH

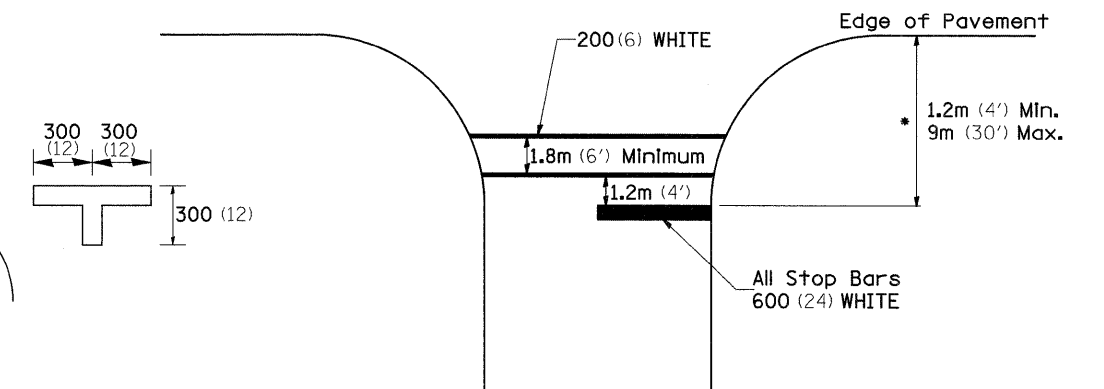


TYPICAL PARKING SPACING



STANDARD CROSSWALK MARKING

See Schedules for Locations



* Distance to the nearest edge of the intersecting roadway in the absence of a marked crosswalk.

FILE NAME =	USER NAME = dosddd	DESIGNED -	REVISED - 10-21-08	STATE OF ILLINOIS DEPARTMENT OF TRANSPORTATION	REGION 2 / DISTRICT 2 STANDARD			F.A.P. RTE.	SECTION	COUNTY	TOTAL SHEETS	SHEET NO.
ca:\p\work\PWID001\DOSSDD\dms41852\d07808p1.dgn		DRAWN -	REVISED -		553	120M	OGLE	71	52			
PLOT SCALE = 50.0000' / IN.		CHECKED -	REVISED -		CONTRACT NO. 64E55							
PLOT DATE = Tue Jan 13 15:56:48 2009		DATE -	REVISED -		FED. ROAD DIST. NO. ILLINOIS FED. AID PROJECT							
					SCALE:	SHEET NO.	OF	SHEETS	STA.	TO STA.		