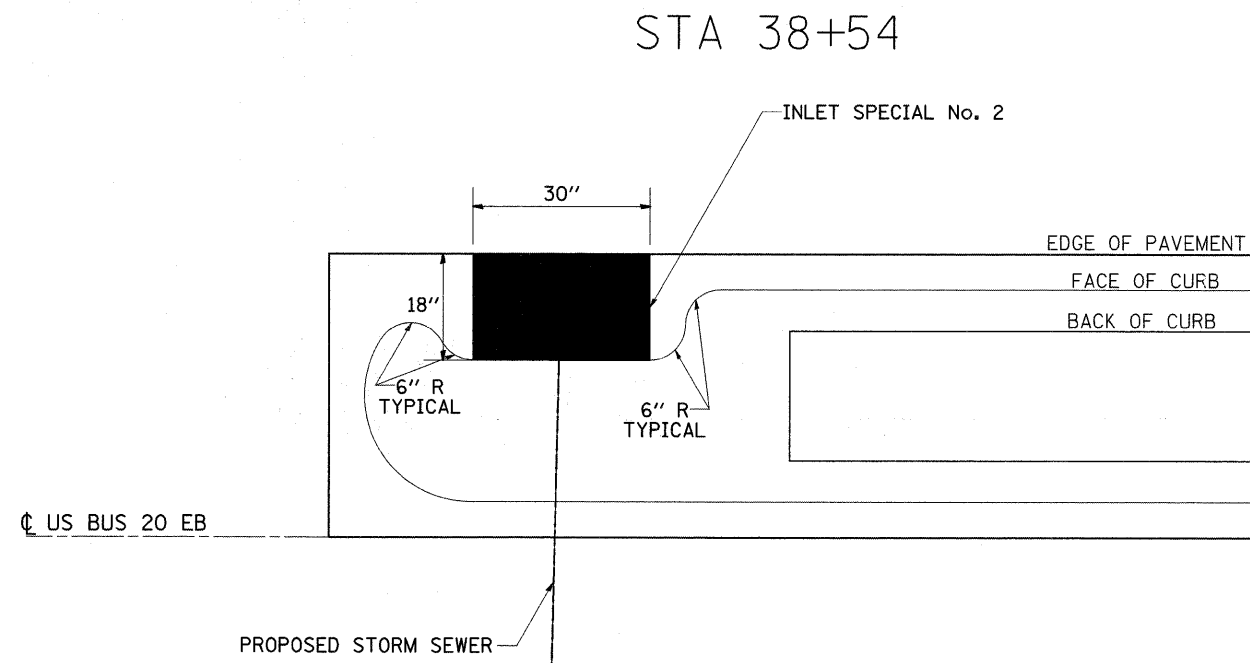


GUTTER DETAIL



FILE NAME =	USER NAME = dosedd	DESIGNED -	REVISED -	STATE OF ILLINOIS DEPARTMENT OF TRANSPORTATION	US BUS 20 GUTTER DETAIL			F.A.P. RTE. 303	SECTION (1-1)CH	COUNTY WINNEBAGO	TOTAL SHEETS 58	SHEET NO. 46
cr\pw_work\pwsdot\dosedd\d0125645\02044	9-shd-details.dgn	DRAWN -	REVISED -		SCALE: SHEET NO. OF SHEETS STA. TO STA.			ILLINOIS FED. AID PROJECT				
	PLOT SCALE = 50.0000' / IN.	CHECKED -	REVISED -		CONTRACT NO. 64E90							
	PLOT DATE = Tue Mar 10 11:04:13 2009	DATE -	REVISED -									