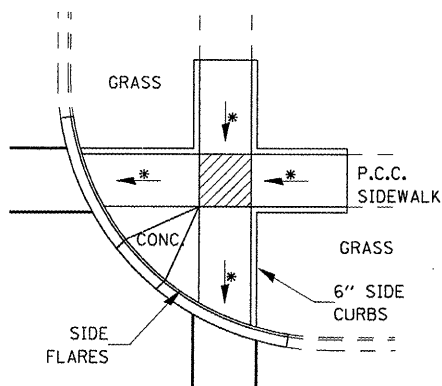
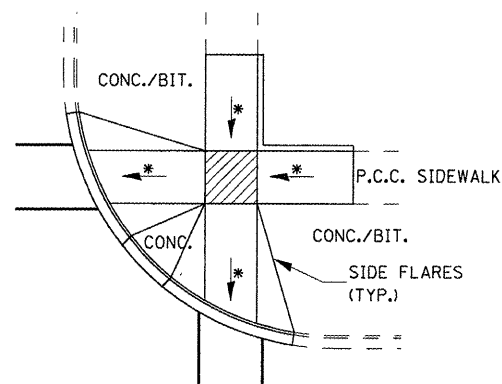
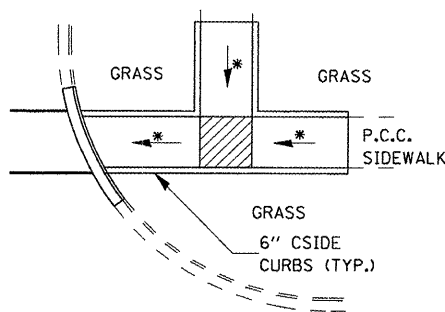


LEGEND
 ▨ SLOPE = 2%
 * SLOPE = 1:12 MAX.

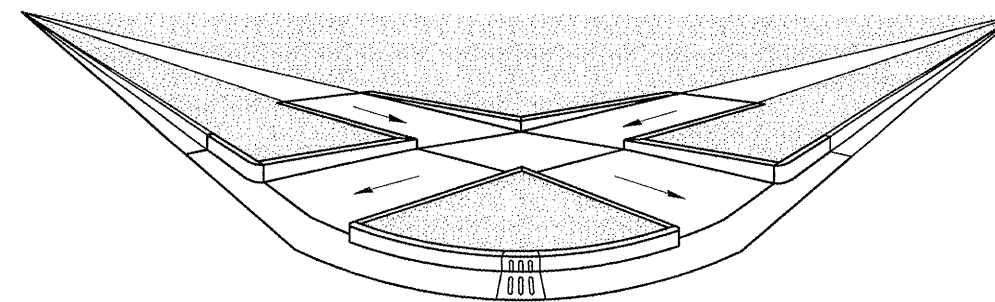
**ADA SIDEWALK ACCESSIBILITY RAMPS
 METHOD 2**



LEGEND
 ▨ SLOPE = 2%
 * SLOPE = 1:12 MAX.

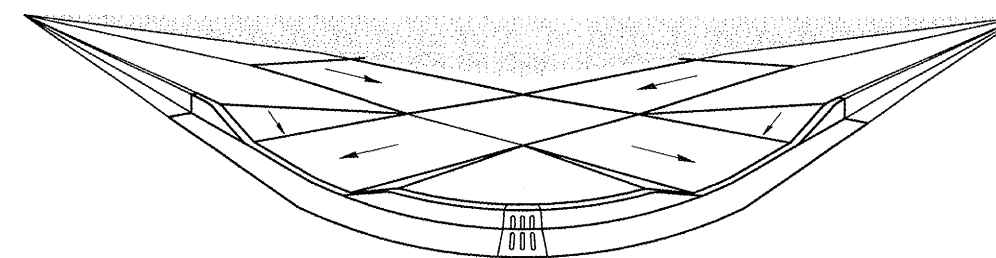


TYPICAL CURB APPLICATIONS FOR METHOD 2



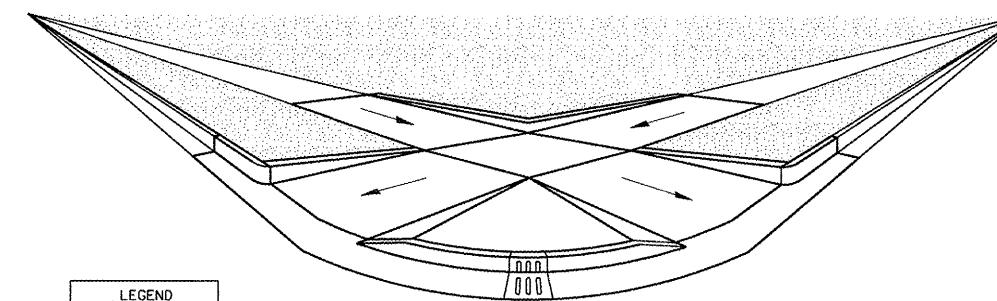
LEGEND
 ■ GRASS

**ADA SIDEWALK ACCESSIBILITY RAMPS
 METHOD 2 PERSPECTIVE WITH SIDE CURBS**



LEGEND
 ■ GRASS

**ADA SIDEWALK ACCESSIBILITY RAMPS
 METHOD 2 PERSPECTIVE WITH SIDE FLARES**



LEGEND
 ■ GRASS

**ADA SIDEWALK ACCESSIBILITY RAMPS
 METHOD 2 PERSPECTIVE WITH SIDE CURBS AND SIDE FLARES**

FILE NAME =	USER NAME = corcoranlm	DESIGNED -	REVISED -
et\pwwork\pwwork\corcoranlm\d0120874\d	66747-sht-details.DGN	DRAWN -	REVISED -
	PLOT SCALE = 100.0000' / IN.	CHECKED -	REVISED -
	PLOT DATE = Mar 19, 2009 - 11:16:06 AM	DATE -	REVISED -

**STATE OF ILLINOIS
 DEPARTMENT OF TRANSPORTATION**

DETAILS			
SCALE:	SHEET NO.	OF SHEETS	STA. TO STA.

F.A.P. RTE.	SECTION	COUNTY	TOTAL SHEETS	SHEET NO.
567	(34)RS-5, (7)RS-3, 1	DEKALB	35	32
CONTRACT NO. 66747				
ILLINOIS FED. AID PROJECT				