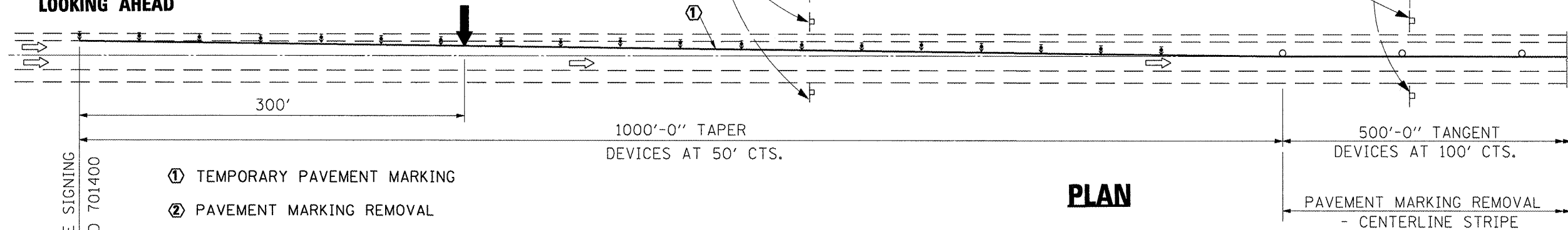
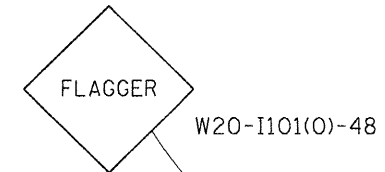
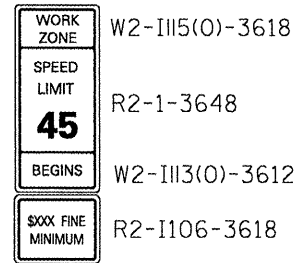


**CROSS SECTION AT STRUCTURE  
LOOKING AHEAD**



**PLAN**

- SYMBOLS**
- ↑ Arrow board
  - ▨ Work area
  - ⊥ Sign
  - ⬆ Direction indicator barricade with steady burn monodirectional light
  - ⬆ Type II barricade, drum, or vertical barricade with steady burn monodirectional light
  - ▬ Temporary concrete barrier
  - ◁ Monodirectional barrier wall/guardrail marker
  - ▨ Impact attenuator
  - Flagger with traffic control sign

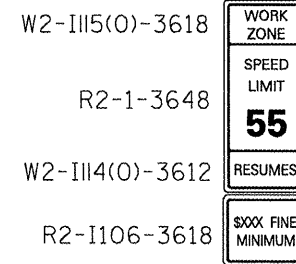
FOR ADVANCE SIGNING  
SEE STANDARD 701400

- ① TEMPORARY PAVEMENT MARKING
- ② PAVEMENT MARKING REMOVAL

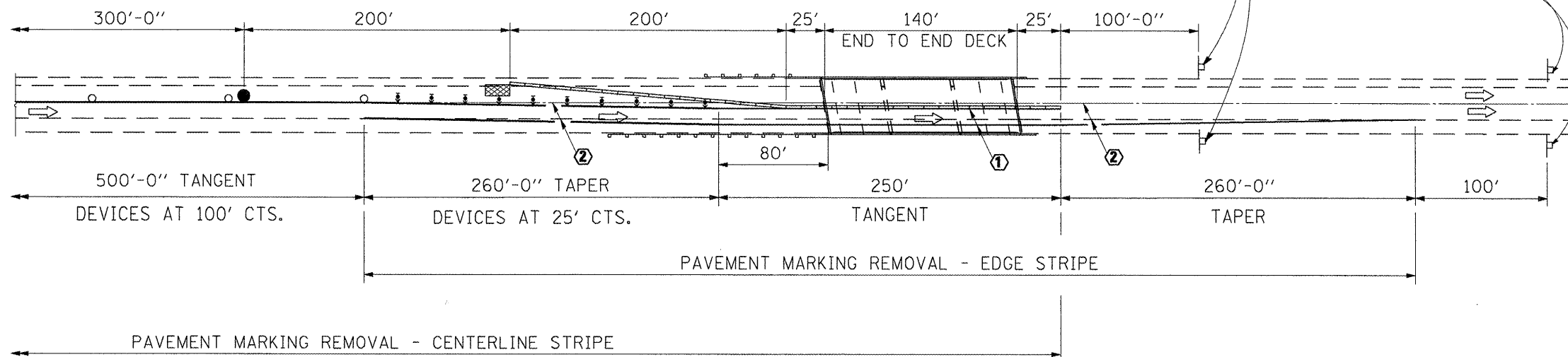
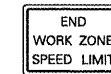
1000'-0" TAPER  
DEVICES AT 50' CTS.

500'-0" TANGENT  
DEVICES AT 100' CTS.

PAVEMENT MARKING REMOVAL  
- CENTERLINE STRIPE



G20-I103(O)-3660



**PLAN**

**GENERAL NOTES**

THIS DETAIL IS USED WHERE AT ANY TIME, ANY VEHICLE, EQUIPMENT, WORKERS OR THEIR ACTIVITIES WILL ENCROACH ON THE PAVEMENT OR ON THE SHOULDER WITHIN 24" OF THE EDGE OF PAVEMENT FOR WORK OPERATIONS EXCEEDING ONE DAY AND WHERE TEMPORARY CONCRETE BARRIER IS UTILIZED.

THIS DETAILS MUST ALWAYS BE USED IN COMBINATION WITH STANDARD 701400.

BARRIER WALL/GUARDRAIL MARKERS AT 25' CTS. MARKERS ON RIGHT SHALL BE CRYSTAL AND MARKERS ON LEFT SHALL BE AMBER.

VERTICAL BARRICADES SHALL NOT BE USED IN LANE SHIFT TAPERS.

SPEED LIMIT SIGNS SHALL BE REQUIRED WHENEVER WORK IS BEING PERFORMED WITHIN THE INTERSTATE RIGHT OF WAY.

FLAGGER AND FLAGGER SIGNS SHALL NOT BE REQUIRED WHEN TEMPORARY CONCRETE BARRIER IS IN PLACE.

FILE NAME =	USER NAME = woodshankr1	DESIGNED - RON WOODSHANK	REVISED -
c:\pwork\PWIDOT\WOODSHANKRL\dms91655	D3-66898-details.dgn	DRAWN - RON WOODSHANK	REVISED -
	PLOT SCALE = 100.0000' / IN.	CHECKED -	REVISED -
	PLOT DATE = Mar 25, 2009 - 06:57:37 AM	DATE -	REVISED -

STATE OF ILLINOIS  
DEPARTMENT OF TRANSPORTATION

**STANDARD 701402 (SPECIAL)  
STAGE I**

SCALE: \_\_\_\_\_ SHEET NO. 1 OF 2 SHEETS STA. \_\_\_\_\_ TO STA. \_\_\_\_\_

F.A.I. RTE. 39	SECTION (50-7BII-2)	COUNTY LASALLE	TOTAL SHEETS 29	SHEET NO. 6
FED. ROAD DIST. NO. - ILLINOIS			CONTRACT NO. 66890	