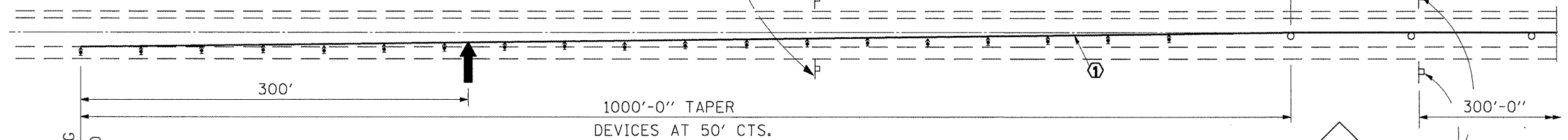


CROSS SECTION AT STRUCTURE

LOOKING AHEAD

WORK ZONE W2-III5(0)-3618
 SPEED LIMIT R2-1-3648
45
 BEGINS W2-III3(0)-3612
 \$XXX FINE MINIMUM R2-I106-3618



PLAN

- SYMBOLS**
- ↑ Arrow board
 - ▨ Work area
 - ⊥ Sign
 - ↑ Direction indicator barricade with steady burn monodirectional light
 - ⊥ Type II barricade, drum, or vertical barricade with steady burn monodirectional light
 - ▬ Temporary concrete barrier
 - ◁ Monodirectional barrier wall/guardrail marker
 - ▨ Impact attenuator
 - Flagger with traffic control sign

- ① TEMPORARY PAVEMENT MARKING
- ② PAVEMENT MARKING REMOVAL

GENERAL NOTES

THIS DETAIL IS USED WHERE AT ANY TIME, ANY VEHICLE, EQUIPMENT, WORKERS OR THEIR ACTIVITIES WILL ENCROACH ON THE PAVEMENT OR ON THE SHOULDER WITHIN 24" OF THE EDGE OF PAVEMENT FOR WORK OPERATIONS EXCEEDING ONE DAY AND WHERE TEMPORARY CONCRETE BARRIER IS UTILIZED.

THIS DETAILS MUST ALWAYS BE USED IN COMBINATION WITH STANDARD 701400.

BARRIER WALL/GUARDRAIL MARKERS AT 25' CTS. MARKERS ON RIGHT SHALL BE CRYSTAL AND MARKERS ON LEFT SHALL BE AMBER.

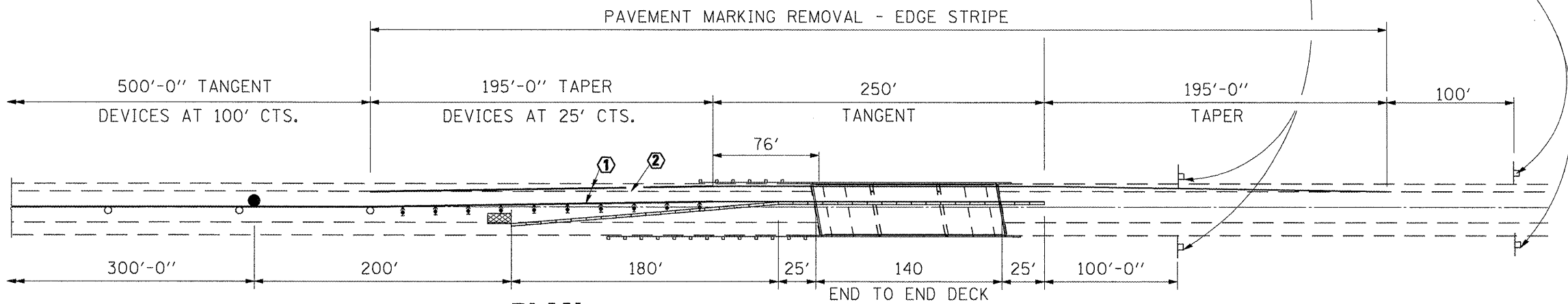
VERTICAL BARRICADES SHALL NOT BE USED IN LANE SHIFT TAPERS.

SPEED LIMIT SIGNS SHALL BE REQUIRED WHENEVER WORK IS BEING PERFORMED WITHIN THE INTERSTATE RIGHT OF WAY.

FLAGGER AND FLAGGER SIGNS SHALL NOT BE REQUIRED WHEN TEMPORARY CONCRETE BARRIER IS IN PLACE.

WORK ZONE W2-III5(0)-3618
 SPEED LIMIT R2-1-3648
55
 RESUMES W2-III4(0)-3612
 \$XXX FINE MINIMUM R2-I106-3618

G20-I103(0)-3660
 END WORK ZONE SPEED LIMIT



PLAN