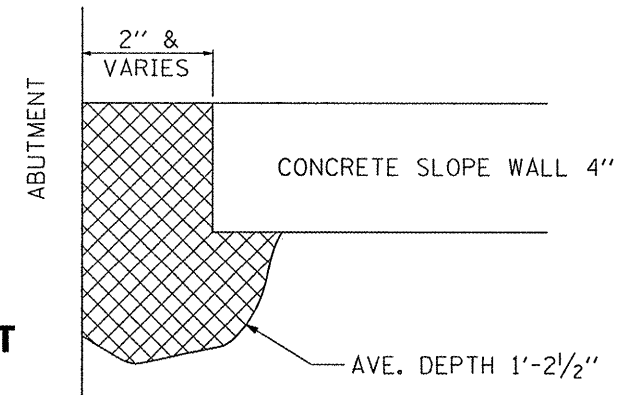
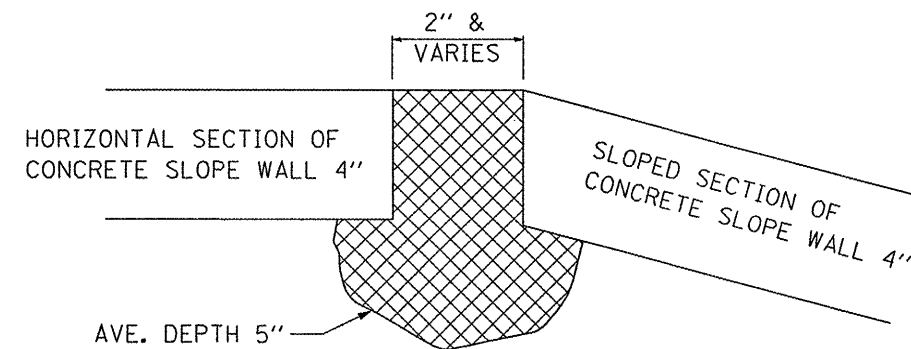


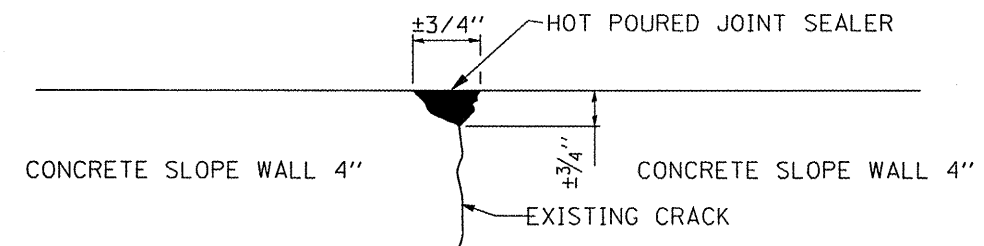
NON-SHRINK GROUT



**CASE I
JOINT SEALER**



**CASE II
JOINT SEALER**



**CASE III
SLOPE WALL CRACK SEAL**

BILL OF MATERIALS

ITEM	UNIT	TOTAL QUANTITY	SN 050-169	
			(SB)	(NB)
SLOPE WALL CRACK SEALING	FOOT	67	38	29
JOINT SEALER	SQ YD	119	43	76
SLOPE WALL REPAIR	SQ YD	15		15

FILE NAME =	USER NAME = woodshankr1	DESIGNED - RON WOODSHANK	REVISED -
c:\pwwork\PIWIDOT\WOODSHANKR1\dms91655	D3-66890-de tails.dgn	DRAWN - RON WOODSHANK	REVISED -
	PLOT SCALE = 58.0000' / IN.	CHECKED -	REVISED -
	PLOT DATE = Apr 28, 2009 10:04:02 AM	DATE -	REVISED -

**STATE OF ILLINOIS
DEPARTMENT OF TRANSPORTATION**

SLOPEWALL REPAIR DETAILS

SCALE: SHEET NO. 1 OF 1 SHEETS STA. TO STA.

F.A.I. RITE: 39	SECTION (50-7B)I-2	COUNTY LASALLE	TOTAL SHEETS 29	SHEET NO. 12
FED. ROAD DIST. NO. ILLINOIS			CONTRACT NO. 66890	