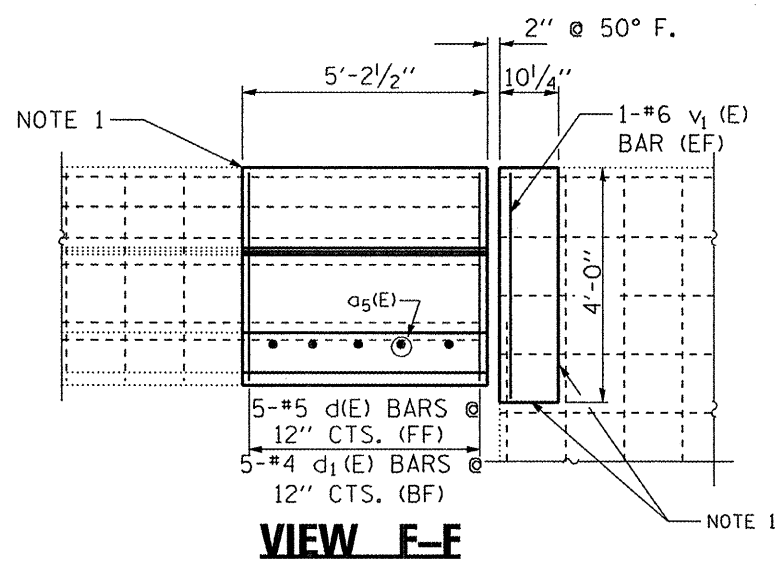
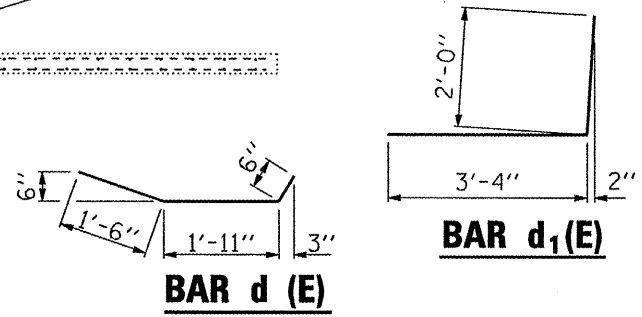
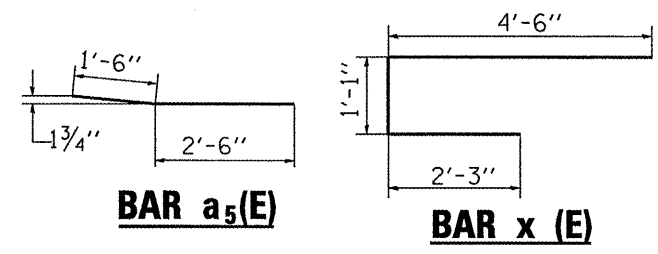


CURB SECTION AT JOINT

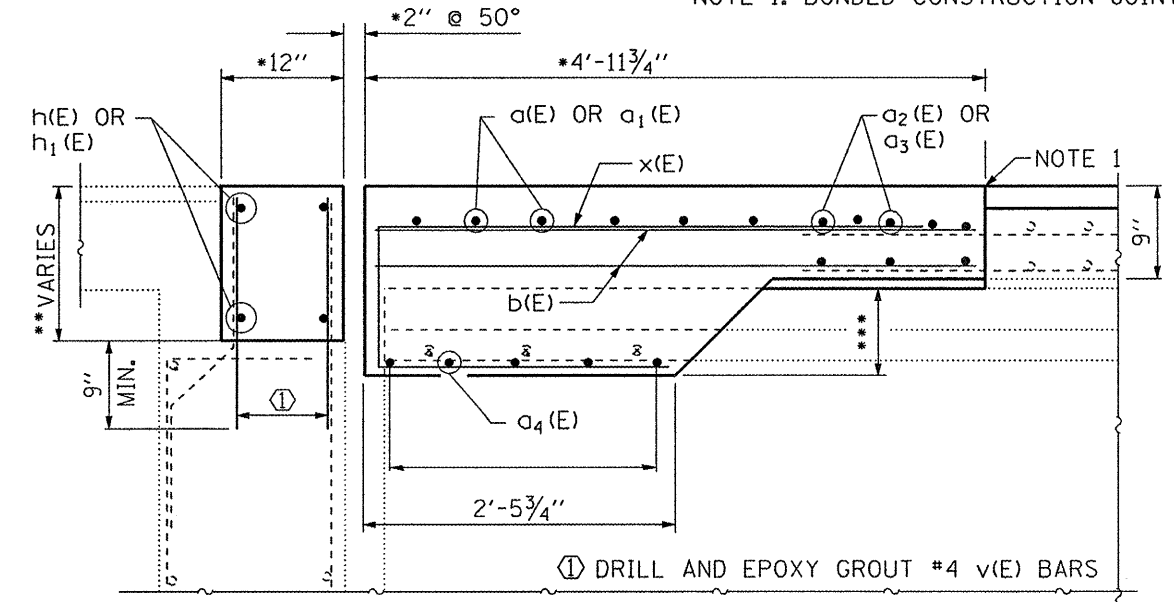
VIEW E-E



PLAN
NORTH ABUTMENT SHOWN
SOUTH ABUTMENT SIMILAR

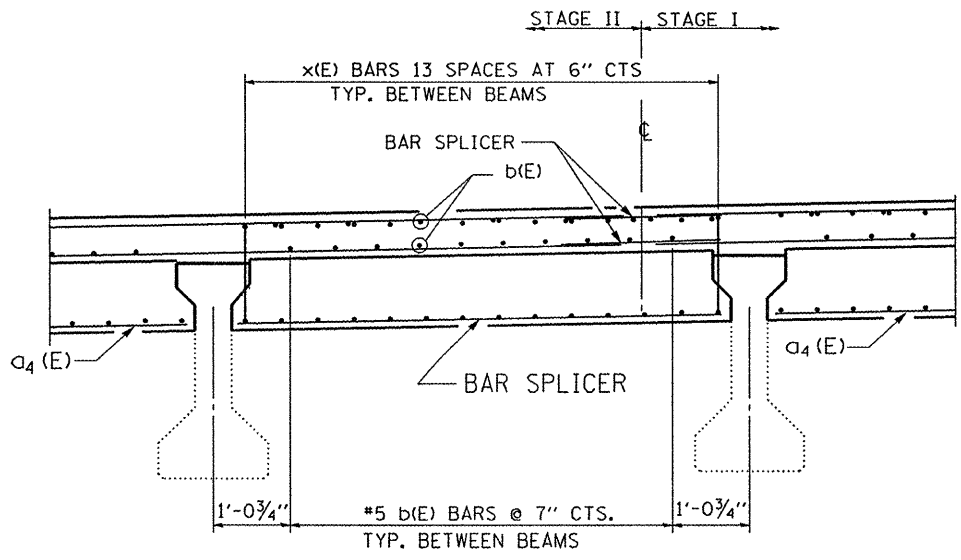
* @ RT. L'S
** 1'-9 3/4" TO 1'-3" S. ABUT.
1'-10" TO 1'-3" N. ABUT.
*** 11" @ FASCIA BEAMS

NOTE 1: BONDED CONSTRUCTION JOINT



BILL OF MATERIALS FOR ONE ABUTMENT

BAR	NO. BARS	SIZE	LENGTH	SHAPE
$a(E)$	6	7	18'-0"	
$d_1(E)$	6	7	22'-1"	
$a_2(E)$	10	6	18'-0"	
$a_3(E)$	10	6	22'-1"	
$a_4(E)$	20	5	6'-7"	
$a_5(E)$	10	6	4'-0"	
$d(E)$	10	5	3'-11"	
$d_1(E)$	10	4	5'-4"	
$h(E)$	4	6	18'-0"	
$h_1(E)$	4	6	22'-1"	
$v_1(E)$	82	4	2'-5"	
$v_1(E)$	4	6	3'-9"	
$x(E)$	70	6	7'-10"	
REINFORCEMENT BARS			POUNDS	2586
EPOXY COATED				
CONCRETE STRUCTURE (ABUTS.)			CU YD	3
CONCRETE SUPERSTRUCTURE			CU YD	11



FILE NAME =	USER NAME = woodshankr1	DESIGNED - RON WOODSHANK	REVISED -
C:\pwwork\pwwid01\WOODSHANKRL\dms91655	D3-68898-details.dgn	DRAWN - RON WOODSHANK	REVISED -
	PLOT SCALE = 50.0000' / IN.	CHECKED -	REVISED -
	PLOT DATE = Apr 28, 2009 - 10:47:10 AM	DATE -	REVISED -

STATE OF ILLINOIS
DEPARTMENT OF TRANSPORTATION

EXPANSION JOINT CONST.
SN 050-0169 (SB)

SCALE: SHEET NO. 3 OF 7 SHEETS STA. TO STA.

F.A.I. RTE.	SECTION	COUNTY	TOTAL SHEETS	SHEET NO.
39	(50-7B)-2	LASALLE	29	15
FED. ROAD DIST. NO. - ILLINOIS			CONTRACT NO. 66890	