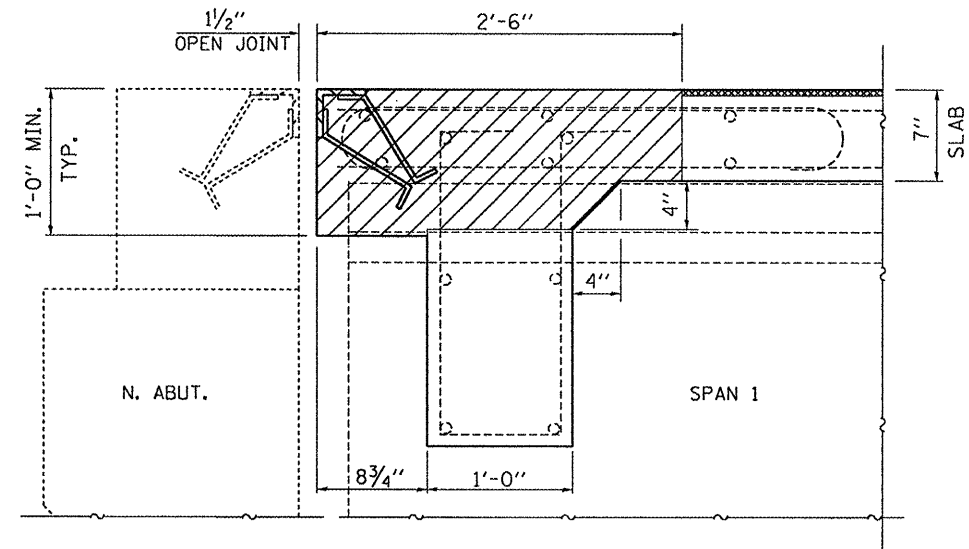
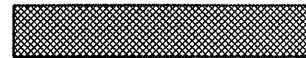


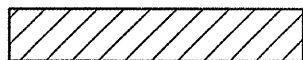
SOUTH ELEVATION
NORTH ABUTMENT



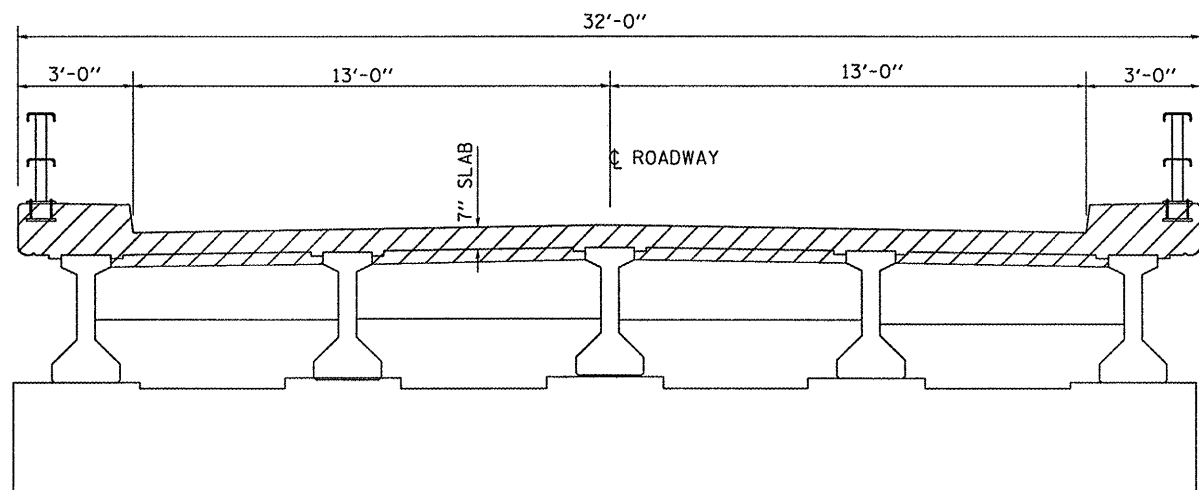
SECTION A-A
SEE SHEET 2 OF 18



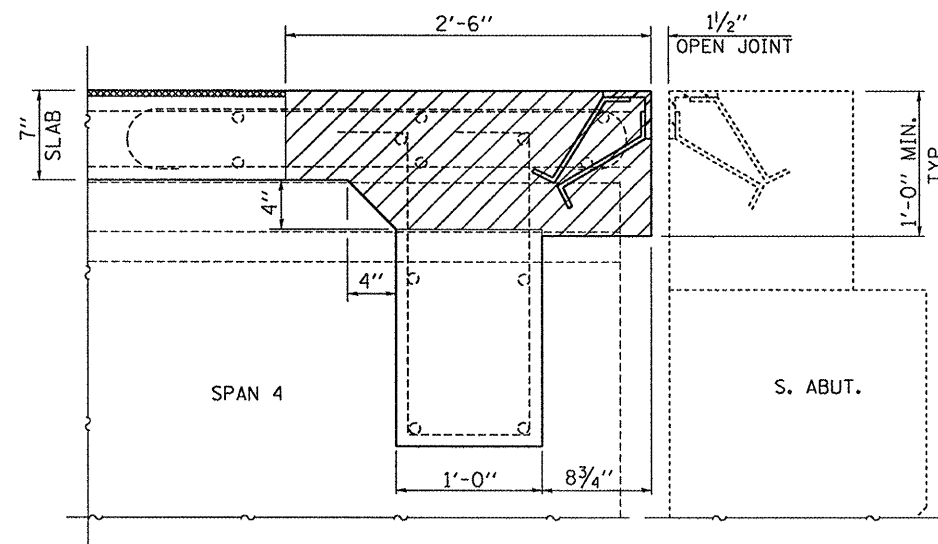
BRIDGE DECK HYDRO-SCARIFICATION (1/2")



CONCRETE REMOVAL



NORTH ELEVATION
SOUTH ABUTMENT



SECTION B-B
SEE PAGE 7



BRIDGE DECK HYDRO-SCARIFICATION (1/2")



CONCRETE REMOVAL

FILE NAME =	USER NAME = #USER#	DESIGNED - RON WOODSHANK	REVISED -
#FILE#		DRAWN - RON WOODSHANK	REVISED -
	PLOT SCALE = #SCALE#	CHECKED -	REVISED -
	PLOT DATE = #DATE#	DATE -	REVISED -

STATE OF ILLINOIS
DEPARTMENT OF TRANSPORTATION

EXISTING SLAB DETAILS AT ABUTMENTS

SCALE: SHEET NO. 6 OF 18 SHEETS STA. TO STA.

F.A.I. RTE.	SECTION	COUNTY	TOTAL SHEETS	SHEET NO.
80	(50-41)	LASALLE	25	13
ILLINOIS			CONTRACT NO. 66935	