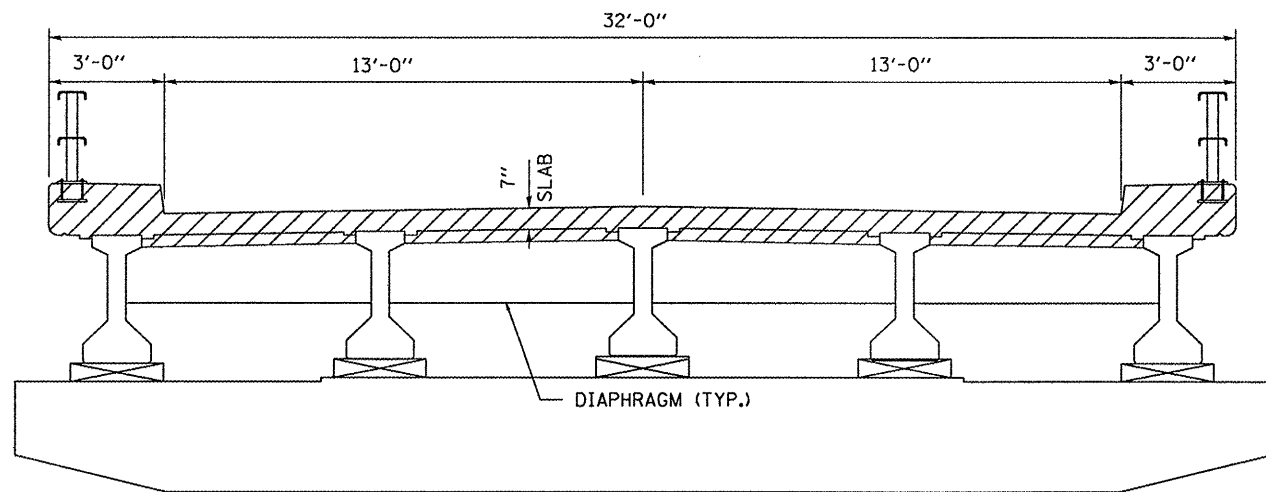
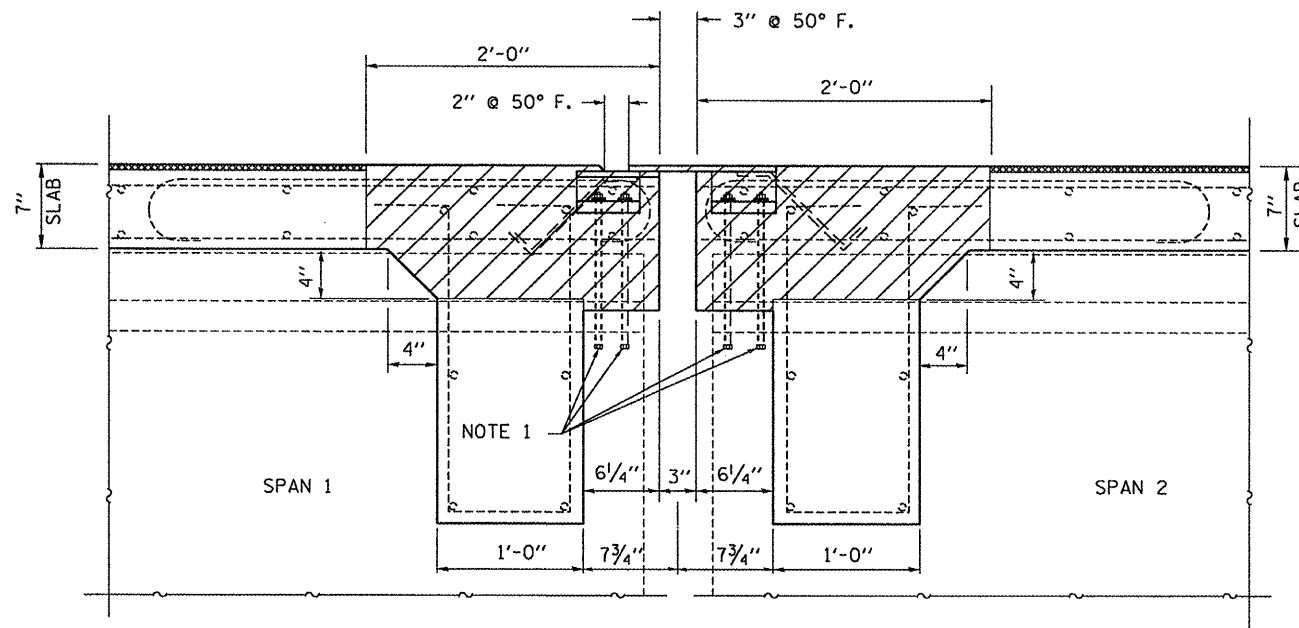


NORTH ELEVATION
PIER 1 - SPAN 1



SOUTH ELEVATION
PIER 1 - SPAN 2



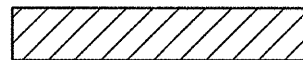
SECTION C-C

SEE SHEET 2 OF 18

NOTE: 1 EXISTING ANCHOR BOLTS EXTENDING FROM PPC BEAMS SHALL BE CUT FLUSH WITH TOP OF BEAM AND GROUND FLAT.



BRIDGE DECK HYDRO-SCARIFICATION (1/2")



CONCRETE REMOVAL



STRUCTURAL REPAIR OF CONCRETE

FILE NAME =	USER NAME = *USER*	DESIGNED - RON WOODSHANK	REVISED -
#FILE#		DRAWN - RON WOODSHANK	REVISED -
	PLOT SCALE = *SCALE*	CHECKED -	REVISED -
	PLOT DATE = *DATE*	DATE -	REVISED -

STATE OF ILLINOIS
DEPARTMENT OF TRANSPORTATION

EXISTING SLAB DETAILS AT PIER 1

SCALE: SHEET NO. 7 OF 18 SHEETS STA. TO STA.

F.A.I. RTE.	SECTION	COUNTY	TOTAL SHEETS	SHEET NO.
80	150-411	LASALLE	25	14
ILLINOIS			CONTRACT NO. 66935	